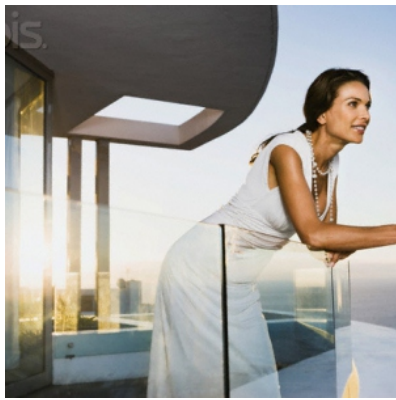




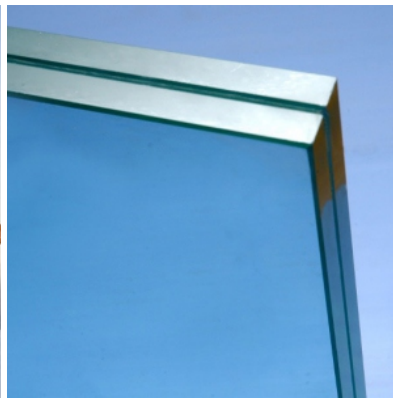
Clean and Clear
Safe and Secure



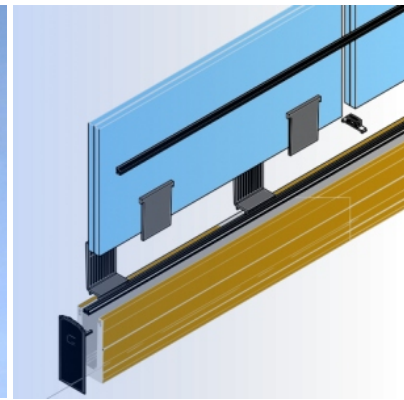
High load bearing capacity



Safe to lean on



With laminated safety glass



Easy to install

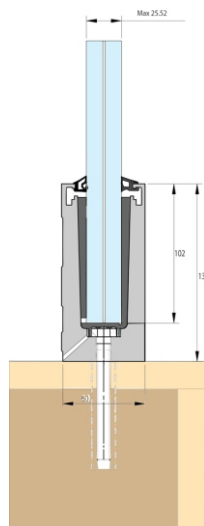
Advantages

It is the ideal system for balconies, stairs and building fences with high architectural standards. It offers an impressive and functional result, without limiting the view.

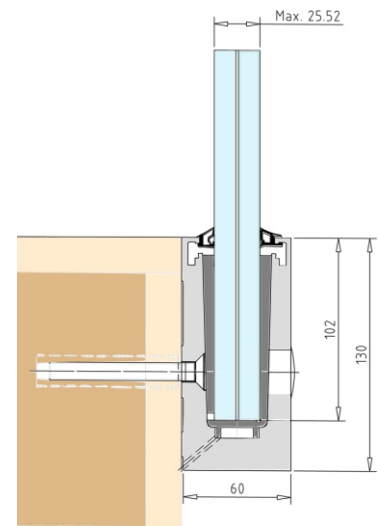
- Excellent design.
- Unobstructed clear views.
- Easy to clean.
- No maintenance required.
- Economical.
- Complies with most Standards.
- Patented system

Easy installation in just 4 steps

1. Align and fix the rail.
2. Insert the fixing clamps.
3. Insert and tighten the glass.
4. Fix the gaskets.



Top mounting option

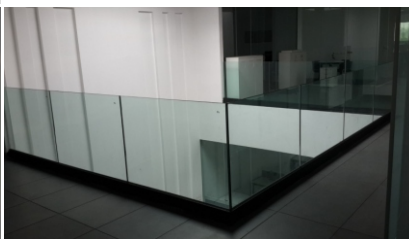
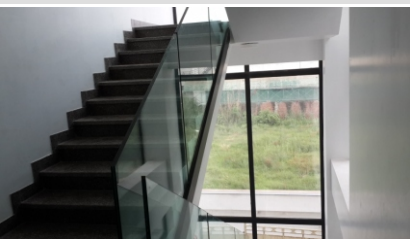


Side mounting option

Specifications :

Type	Glass	Interlayer	Height	Linearload
GL130-25	12+1.52+12	PVB I Sentryglas Plus	1100	1.5 kN/m
GL130-20	10+1.52+10	PVB I Sentryglas Plus	1100	1.2 kN/m
GL130-16	8+1.52+8	PVB I Sentryglas Plus	1100	1.0 kN/m

Note: Please contact us for other load values. The load values above are indicative only for preliminary selection. Please contact us with full load details for proper design.



GSC Suggests:

GSC's policy has always been to provide completely safe and reliable products to its customers. For us both passive and active safety is important. GSC, therefore recommends to use Tempered Laminated glasses with 8, 10 and 12 mm thickness and an interlayer consisting of 0.76 to 1.52 mm PVB layer or Sentry Glass plus layer for additional safety.

The use of a handrail is recommended, since it considerably improves the mechanical support for the entire construction.