



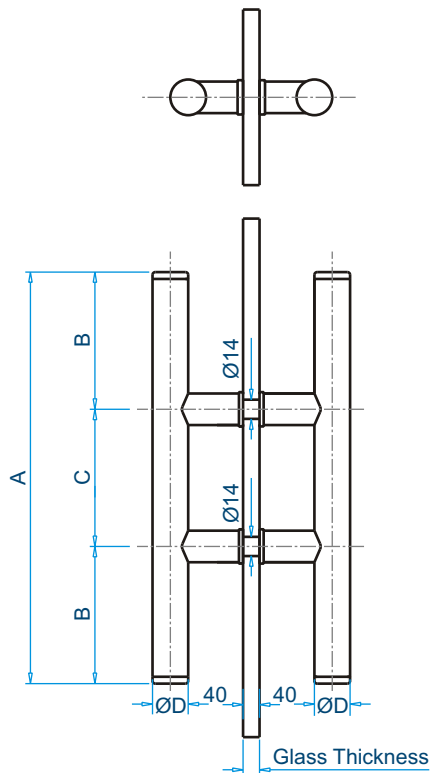
- Original and unique design yet compatible with most popular cutouts.
- Unique weather resistant grip gasket with slip free texture & design.
- Corrosion resist and Cover plates in SS316.
- Corrosion Resistant SS fastners.
- Range available with all stainless steel parts.
- Range available for thick & large sized doors.
- Most miscellaneous are available in Hairline / Brush, Satin and Mirror finish.



HANDLE

ECHI

Handle for Glass Door ■
SS316 ■



(ØD) Pipe Dia 32 mm						(ØD) Pipe Dia 25 mm				
S.No.	Type	Length A	Centre C	B	Ord Nr.	Type	Length A	Centre C	B	Ord Nr.
1	ECHI-400	400	200	100	M50326	ECHI2-300	300	150	75	M50335
2	ECHI-500	500	300	100	M50327	ECHI2-400	400	250	75	M50336
3	ECHI-600	600	400	100	M50328	ECHI2-500	500	300	100	M50337
4	ECHI-800	800	600	100	M50329	ECHI2-600	600	400	100	M50338
5	ECHI-1000	1000	800	100	M50330	ECHI2-800	800	600	100	M50339
6	ECHI-1200	1200	1000	100	M50331					
7	ECHI-1500	1500	1300	100	M50332					
8	ECHI-1800	1800	1500	150	M50333					
9	ECHI-2000	2000	1700	150	M50334					

Hole in Glass- Ø14 mm

Accessories

Tools



ALLEN 3



ALLEN 5



14X15