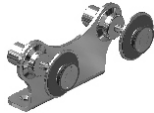




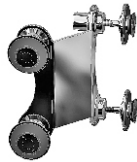
- Made from SS316 using special precision casting methods.
- These spiders are offered in excellent brush as well as mirror polished finishes.
- Higher weight at higher loaded area enable these spiders to be used in heavy duty applications.
- Offer a much higher design load possibilities, unknown to most spiders from competition.
- The design of these spiders offers high on side adjustment possibilities.
- Special mounting possibilities and to add to all low cost.
- These spiders can be very easily used in applications using extra thick glasses as well as for DGU's on spiders.



FS2SS



FS2DS



FS2CB



FS2FB



FS2SFB



RS2SS



RS2DS



RS2CB



RS2FB

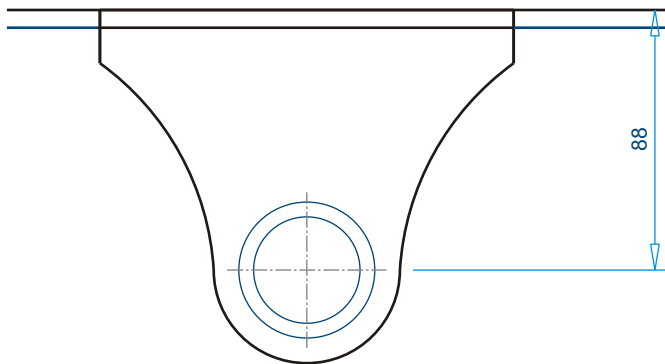
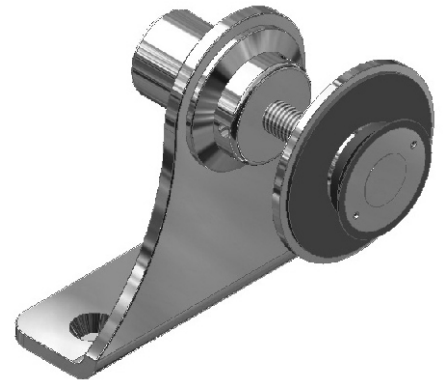
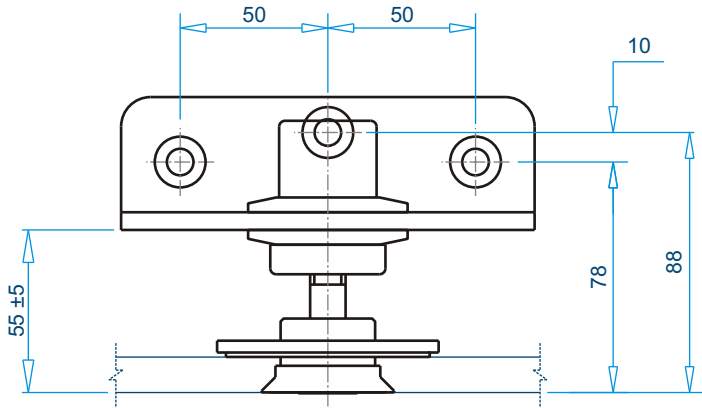


RS2SFB

FS2SS

Single Support wall to glass ■
SS316 ■

Ord Nr. : M10003



Accessories to be ordered separately.

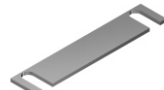
Accessories



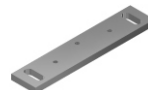
Fisher Anchor SLM 8N
Ord Nr. M10075



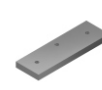
CSK Screw M8X60
Ord Nr. M12633



Packer FS2SS
Details on page 12



Grouting Plate FS2SS
Details on page 11



Welding Plate FS2SS
Details on page 11

Tools



18X19



D-39



F-45



F-32



ALLEN 2

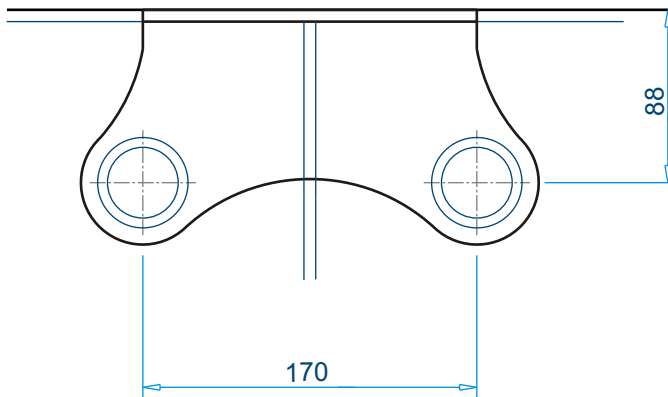
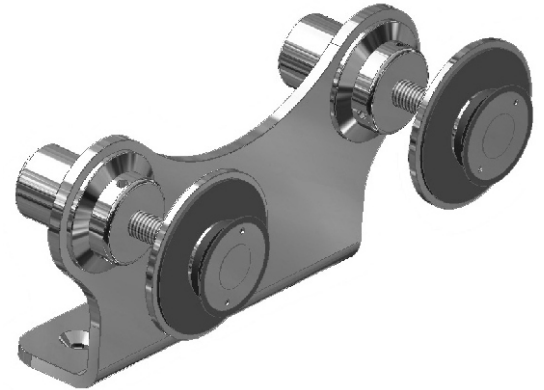
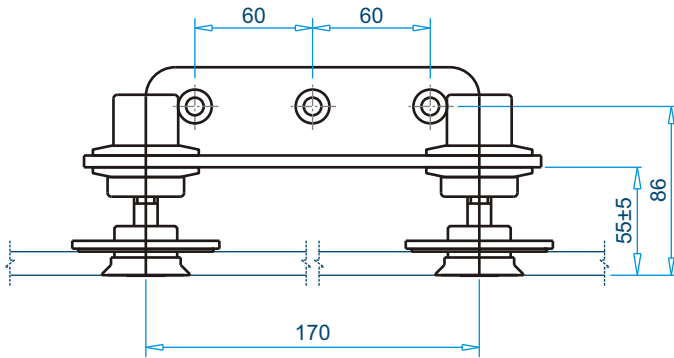


ALLEN 5

FS2DS

Double Support wall to glass ■
SS316 ■

Ord Nr. : M10001



Accessories to be ordered separately.

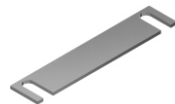
Accessories



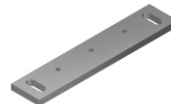
Fisher Anchor SLM 8N
Ord Nr. M10075



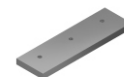
CSK Screw M8X60
Ord Nr. M12633



Packer FS2DS
Details on page 12



Grouting Plate FS2DS
Details on page 11



Welding Plate FS2DS
Details on page 11

Tools



18X19



D-39



F-45



F-32



ALLEN 2

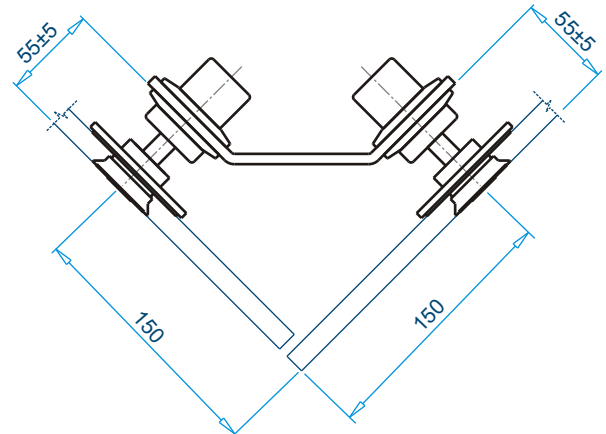
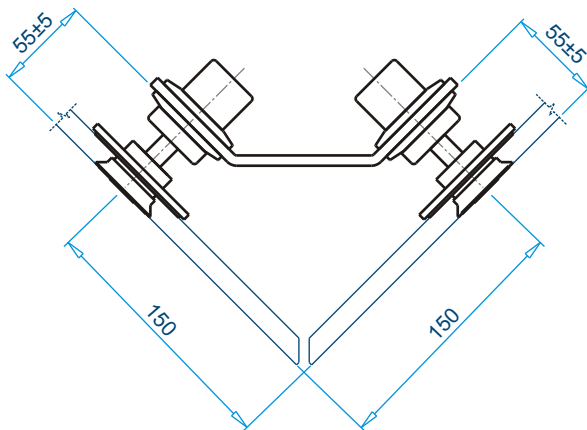
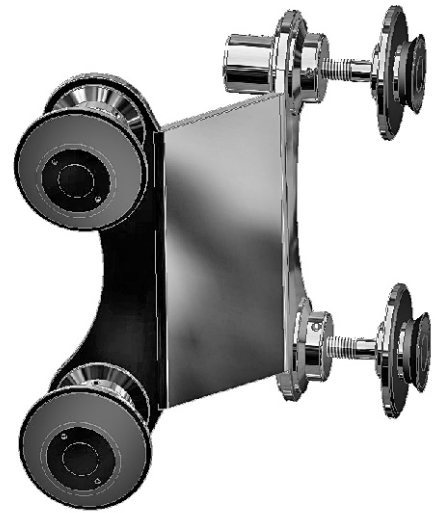
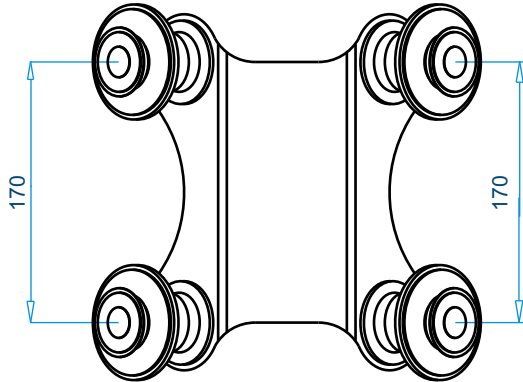


ALLEN 5

FS2CB

Four Support Corner brackets ■
SS316 ■

Ord Nr. : M13147



Accessories

Tools



18X19



D-39



F-45



F-32

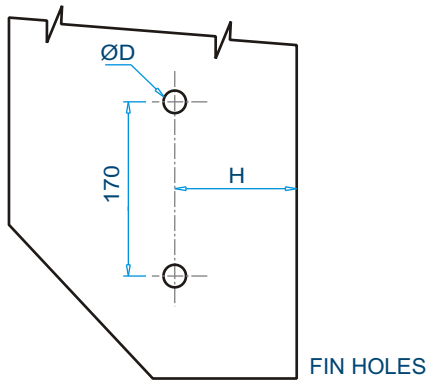


ALLEN 2

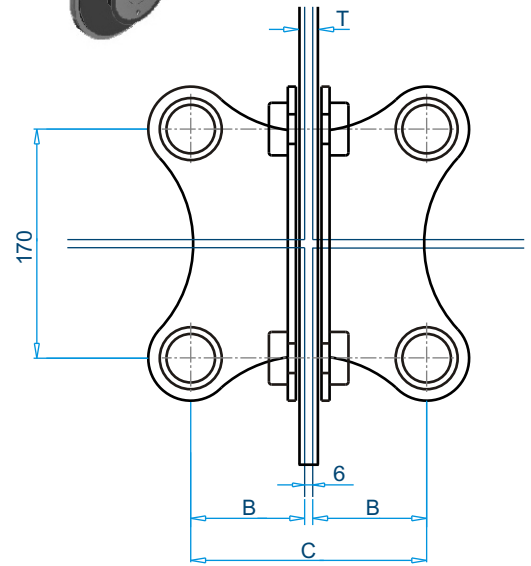
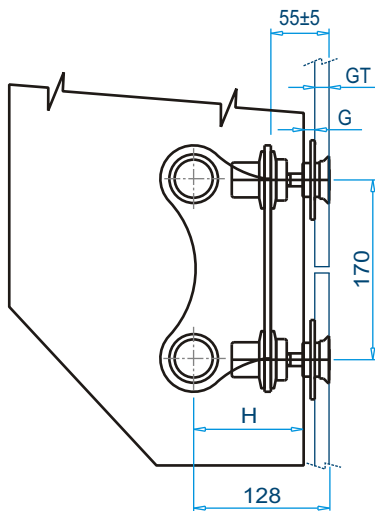
FS2FB

Four Support Fin to glass ■
SS316 ■

Ord Nr. : M10002



FIN HOLES



S.No.	Fin Thickness - T	B	C	D
1	12 mm	83 mm	172 mm	22 mm
2	15 mm	84.5 mm	175 mm	22 mm
3	19 mm	86.5 mm	179 mm	22 mm
4	25.52 mm	89.76 mm	185.52 mm	22 mm

GT=Glass Thickness, G=Gap between Glass & Fin, H={128-[GT+G]}

Accessories

Tools



18X19



D-39



D-48



F-45



F-32

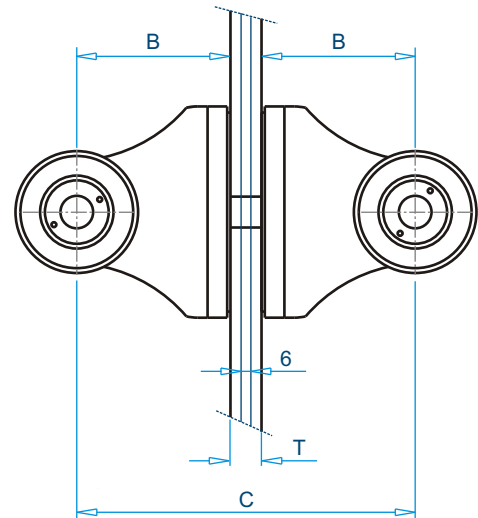
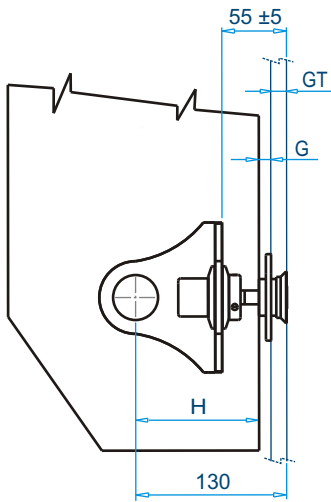
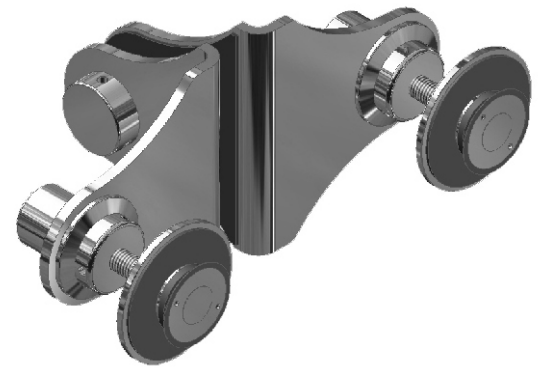
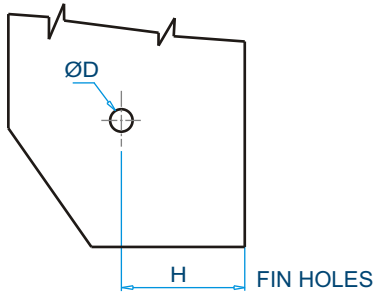


ALLEN 2

FS2SFB

Double Support Fin to glass ■
SS316 ■

Ord Nr. : M21895



S.No.	Fin Thickness - T	B	C	D
1	12 mm	97 mm	200 mm	22 mm
2	15 mm	98.5 mm	203 mm	22 mm
3	19 mm	100.5 mm	207 mm	22 mm
4	25.52 mm	103.76 mm	213.52 mm	22 mm

GT=Glass Thickness, G=Gap between Glass & Fin, $H=\{130-[GT+G]\}$

Accessories

Tools



18X19



D-39



D-48



F-45



F-32

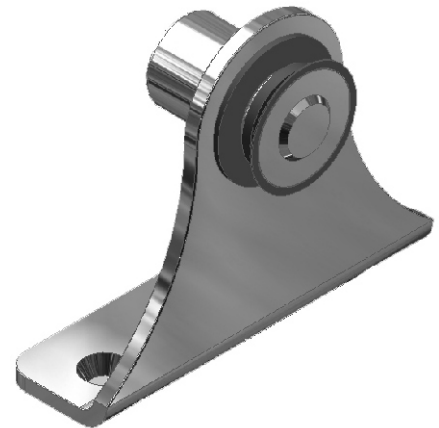
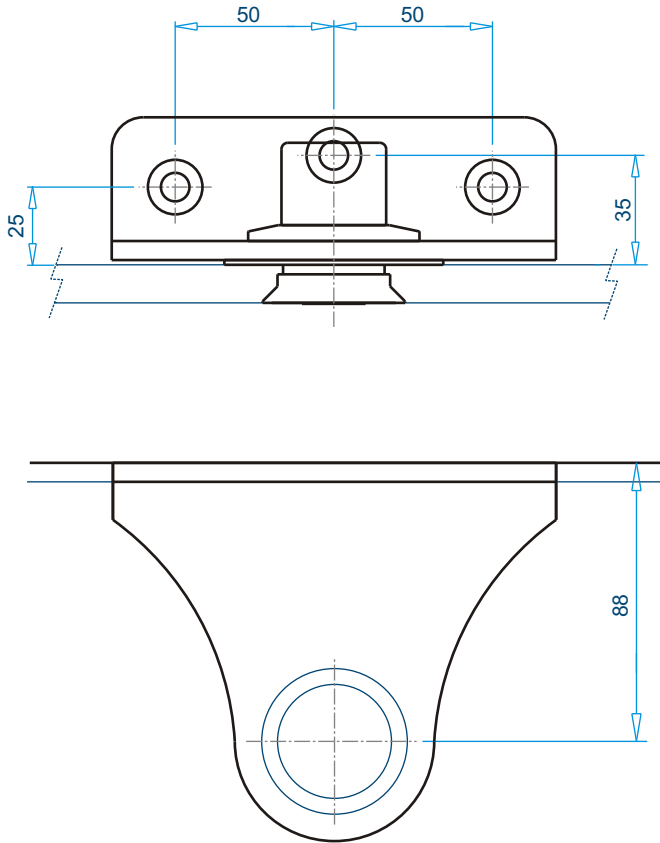


ALLEN 2

RS2SS

Single Support wall to glass ■
SS316 ■

Ord Nr. : M10014



Accessories to be ordered separately.

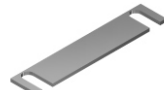
Accessories



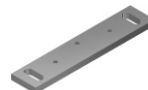
Fisher Anchor SLM 8N
Ord Nr. M10075



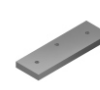
CSK Screw M8X60
Ord Nr. M12633



Packer RS2SS
Details on page 12



Grouting Plate RS2SS
Details on page 11



Welding Plate RS2SS
Details on page 11

Tools



18X19

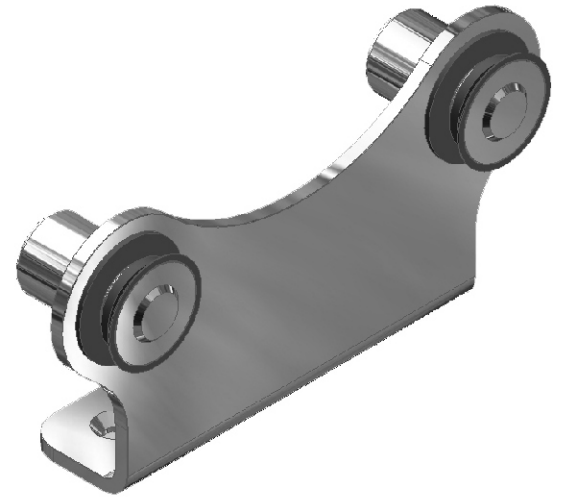
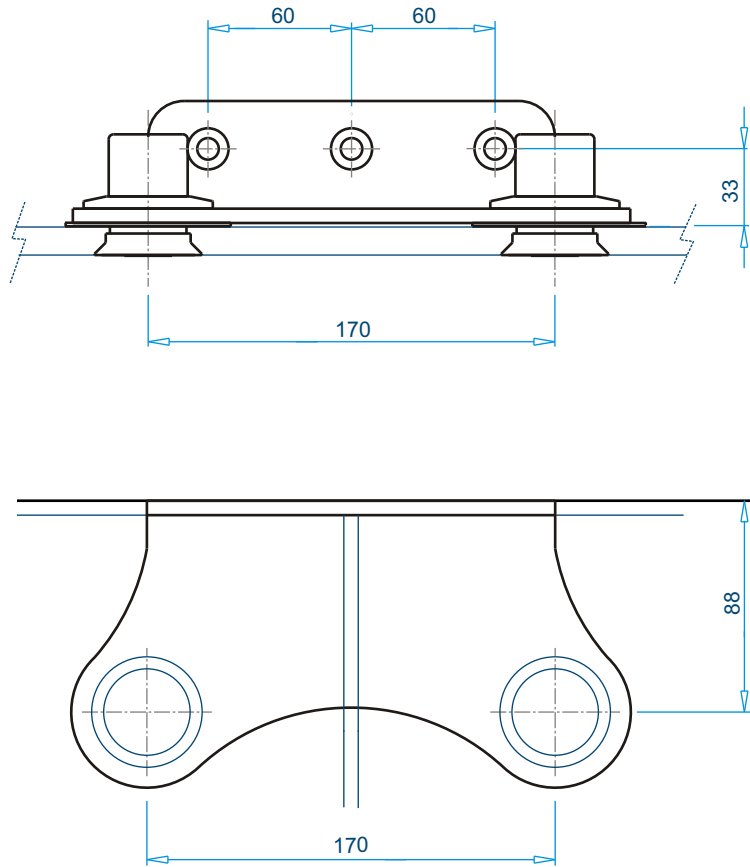


ALLEN 5

RS2DS

Double Support wall to glass ■
SS316 ■

Ord Nr. : M10005



Accessories to be ordered separately.

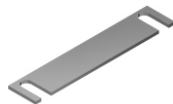
Accessories



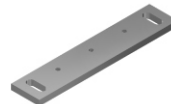
Fisher Anchor SLM 8N
Ord Nr. M10075



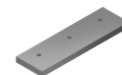
CSK Screw M8X60
Ord Nr. M12633



Packer RS2DS
Details on page 12



Grouting Plate RS2DS
Details on page 11



Welding Plate RS2DS
Details on page 11

Tools



18X19

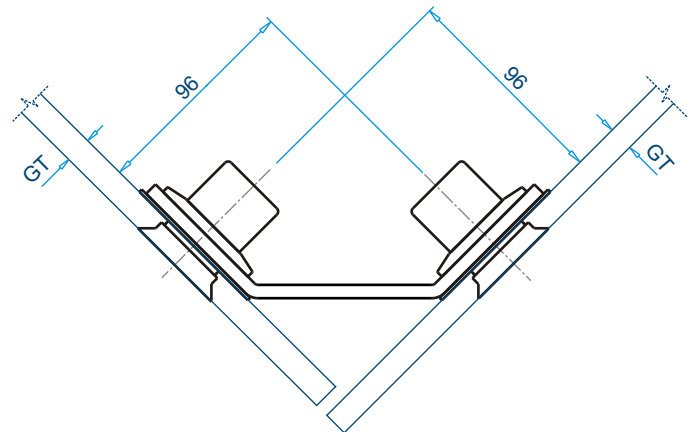
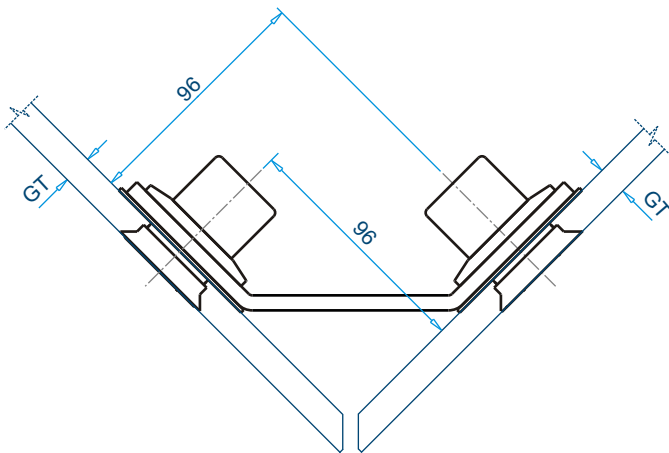
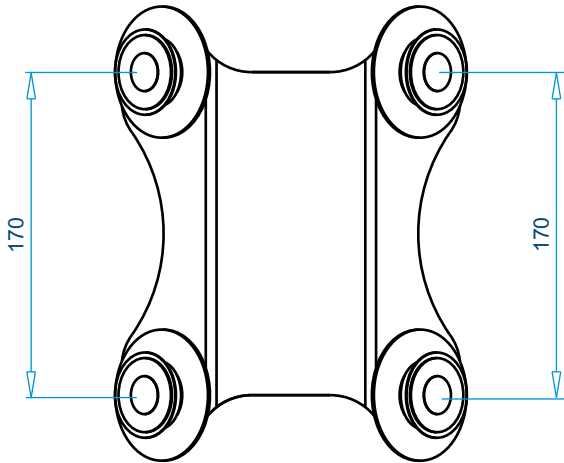


ALLEN 5

RS2CB

Four Support Corner brackets ■
SS316 ■

Ord Nr. : M10004



GT=Glass Thickness,

Accessories

Tools

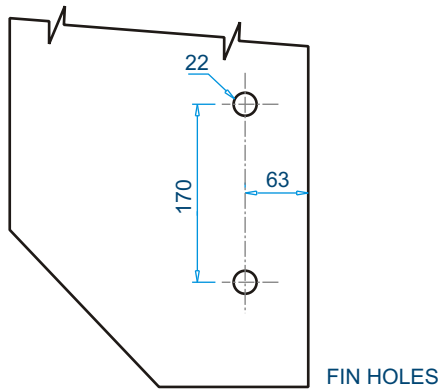


18X19

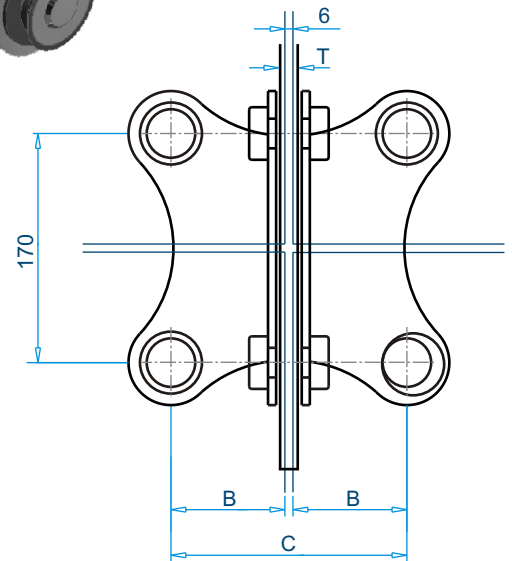
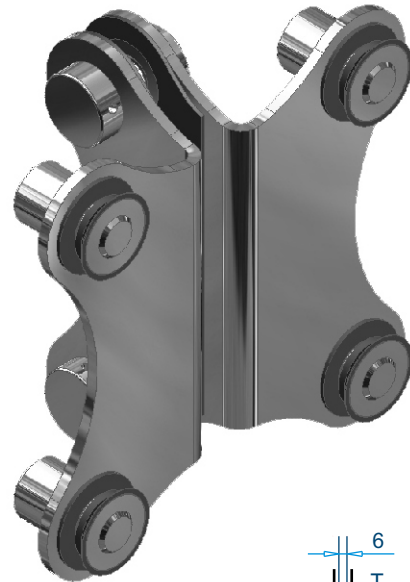
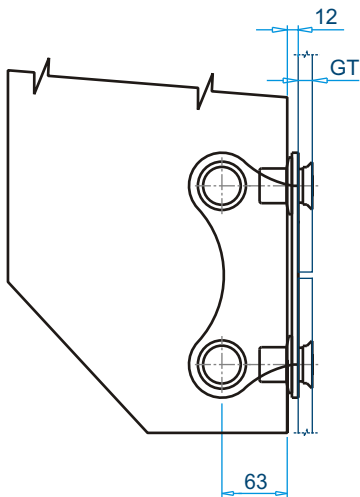
RS2FB

Four Support Fin to glass ■
SS316 ■

Ord Nr. : M10006



FIN HOLES



S.No.	Fin Thickness - T	B	C	D
1	12 mm	83 mm	172 mm	22 mm
2	15 mm	84.5 mm	175 mm	22 mm
3	19 mm	86.5 mm	179 mm	22 mm
4	25.52 mm	89.76 mm	185.52 mm	22 mm

GT=Glass Thickness,

Accessories

Tools



18X19

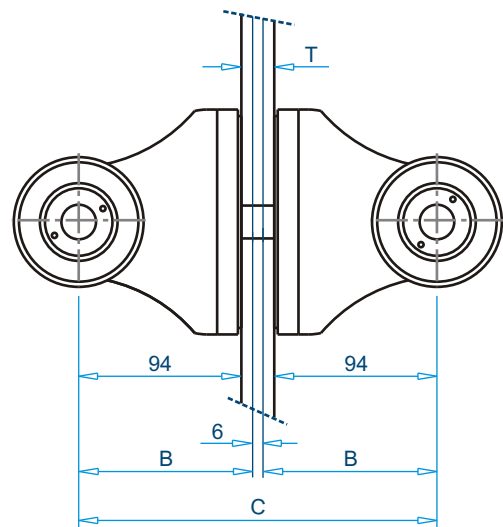
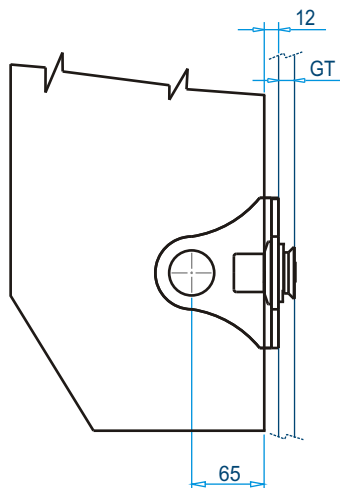
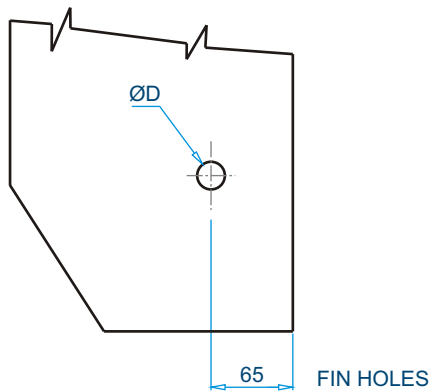


D-39

RS2SFB

Double Support Fin to glass ■
SS316 ■

Ord Nr. : M26419



S.No.	Fin Thickness - T	B	C	D
1	12 mm	97 mm	200 mm	22 mm
2	15 mm	98.5 mm	203 mm	22 mm
3	19 mm	100.5 mm	207 mm	22 mm
4	25.52 mm	103.76 mm	213.52 mm	22 mm

GT=Glass Thickness,

Accessories

Tools



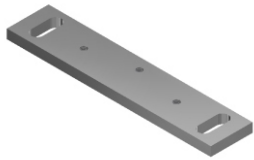
18X19



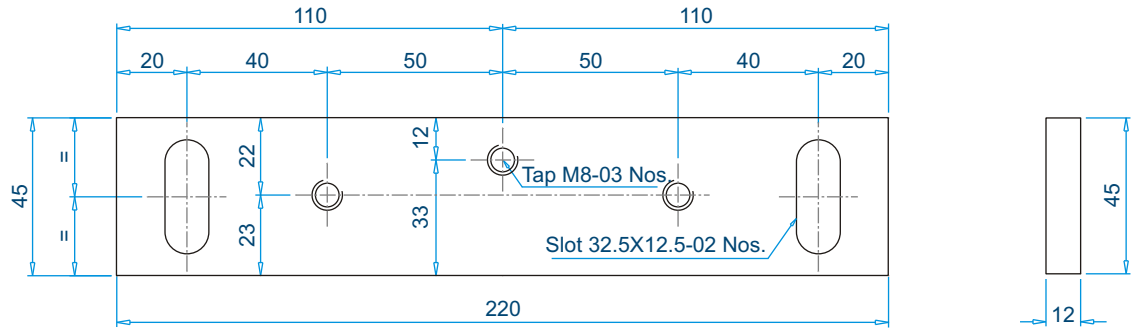
D-39

ACCESSORIES

(Optional, to be ordered separately)

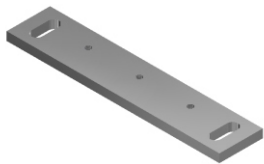


GROUTING PLATE

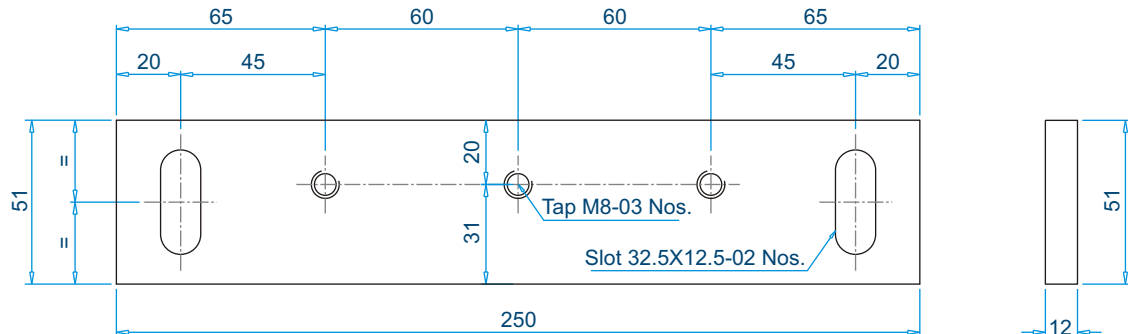


Mat : MS Zinc Plated

Ord Nr. M50314
Usable in : FS2SS & RS2SS

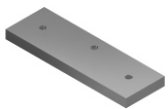


GROUTING PLATE

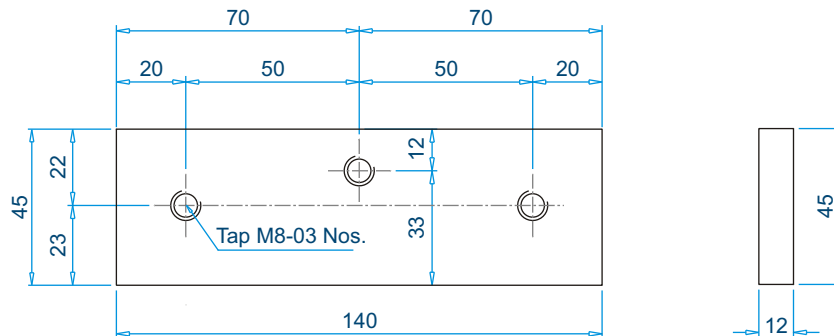


Mat : MS Zinc Plated

Ord Nr. M50315
Usable in : FS2DS & RS2DS

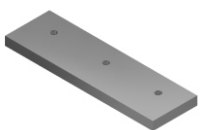


WELDING PLATE

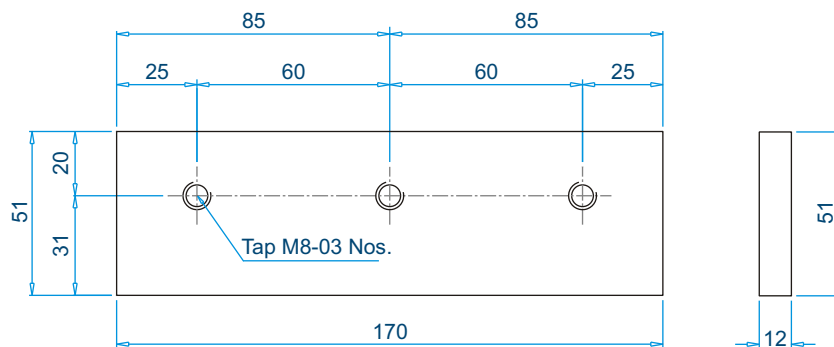


Mat : MS Zinc Plated

Ord Nr. M50316
Usable in : FS2SS & RS2SS



WELDING PLATE

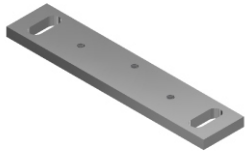


Mat : MS Zinc Plated

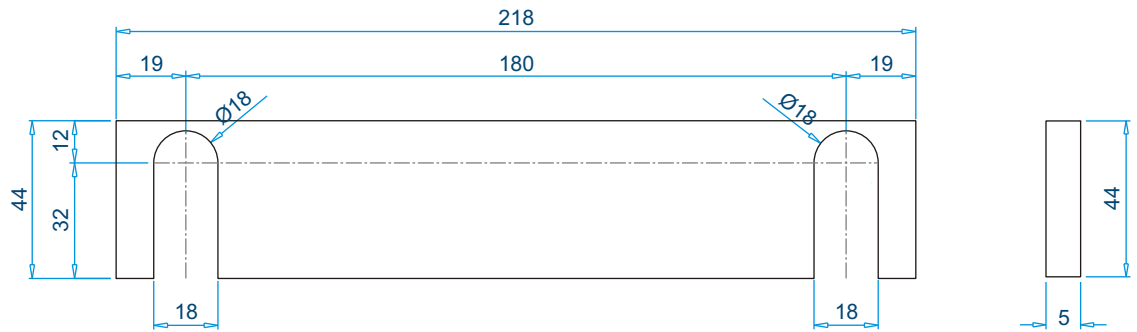
Ord Nr. M50317
Usable in : FS2DS & RS2DS

ACCESSORIES

(Optional, to be ordered separately)

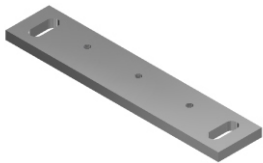


PACKERS

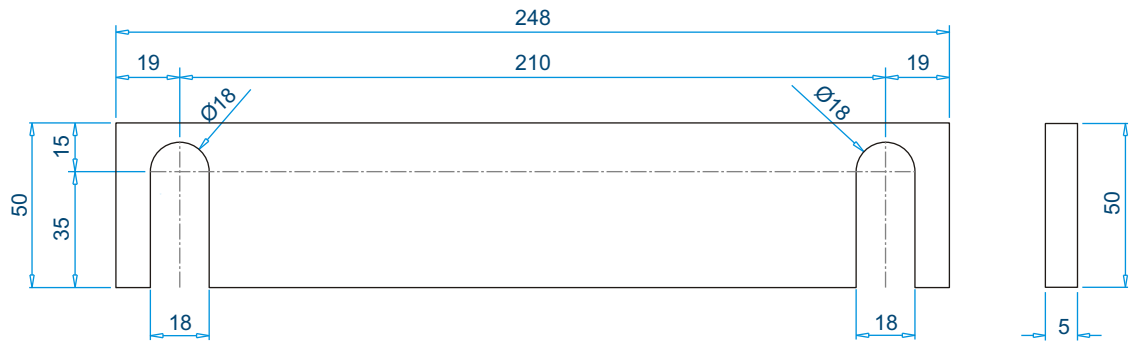


Mat : MS Zinc Plated

Ord Nr. M50318
Usable in : FS2SS & RS2SS



PACKERS



Mat : MS Zinc Plated

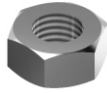
Ord Nr. M50319
Usable in : FS2DS & RS2DS

SPARE PARTS

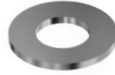
(Optional, to be ordered separately)



DOM NUT M12
Ord Nr. M10071



HEX NUT M12
Ord Nr. M10145



PLAIN WASHER M12
Ord Nr. M10132



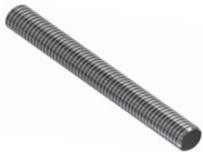
RING NUT M12
Ord Nr. M21110



NYLON CSK WASHER
BLACK : Ord Nr. M10136
WHITE : Ord Nr. M10137



NYLON WASHER
BLACK : Ord Nr. M10133
WHITE : Ord Nr. M10134



STUD M12

S.No.	Glass Thickness	Stud Size	Ord Nr.
1	10 mm to 19 mm	Stud M12X73	M10126
2	20 mm to 25 mm	Stud M12X80	M10129
3	25 mm to 30 mm	Stud M12X85	M50227
4	30 mm to 35 mm	Stud M12X90	M13676