



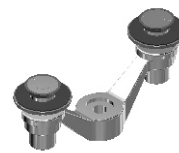
Made from SS316 using special precision casting methods.
 Spiders are offered in excellent brush as well as mirror polished finishes.
 Higher weight at higher loaded area enable these spiders to be used in heavy duty application.
 Offer a much higher design load possibilities, unknown to most spiders from competition.
 The design of these spiders offers high on site adjustment possibilities.
 Special mounting possibilities and to add to all low cost.
 These spiders can be very easily used in application using extra thick glasses as well as for
 DGU's on spiders.



SK-1AL



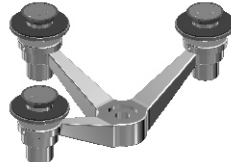
SK-1AV



SK-2AL



SK-2AV



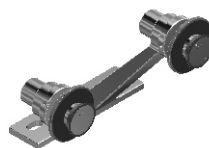
SK-3A



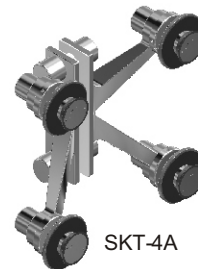
SK-4A



SKT-1A



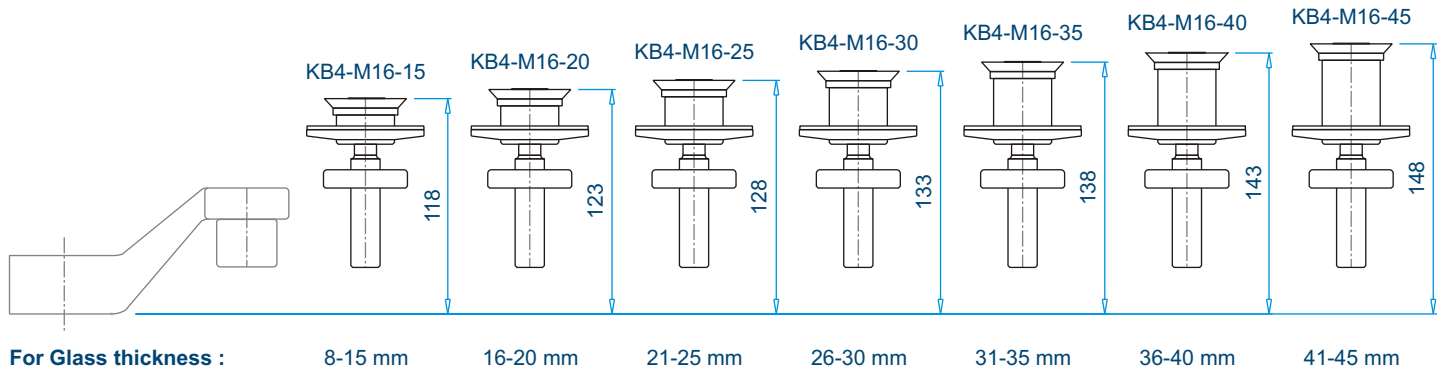
SKT-2A



SKT-4A

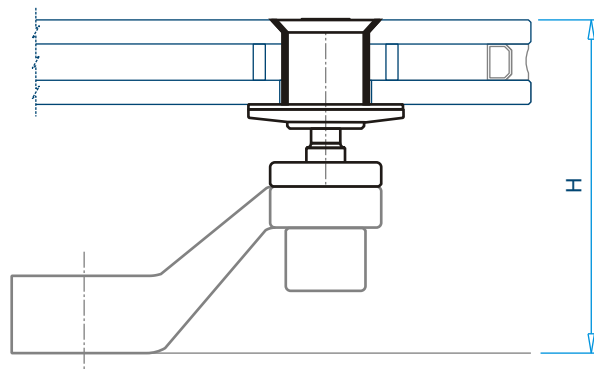
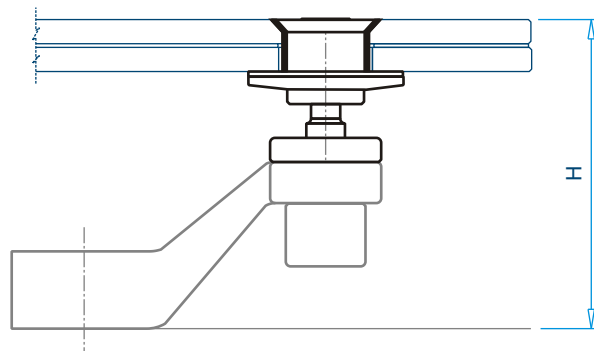
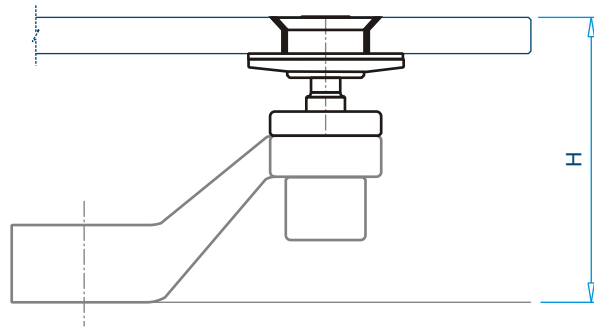
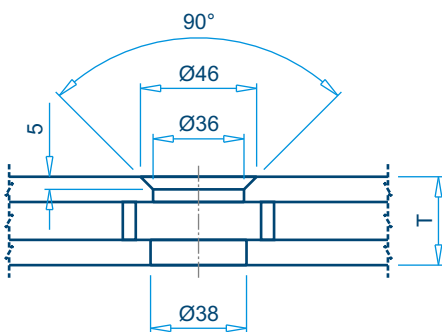
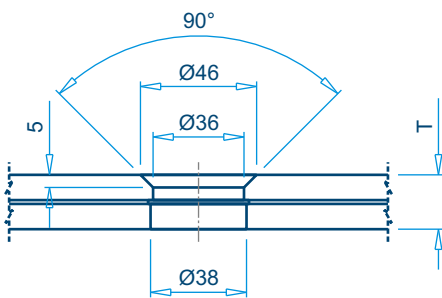
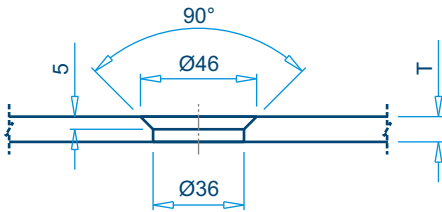
Selection of KNB KB4-M16--

The selection of KNB is depends upon thickness and type of Glass in use.
KNB are available in step of 5mm.



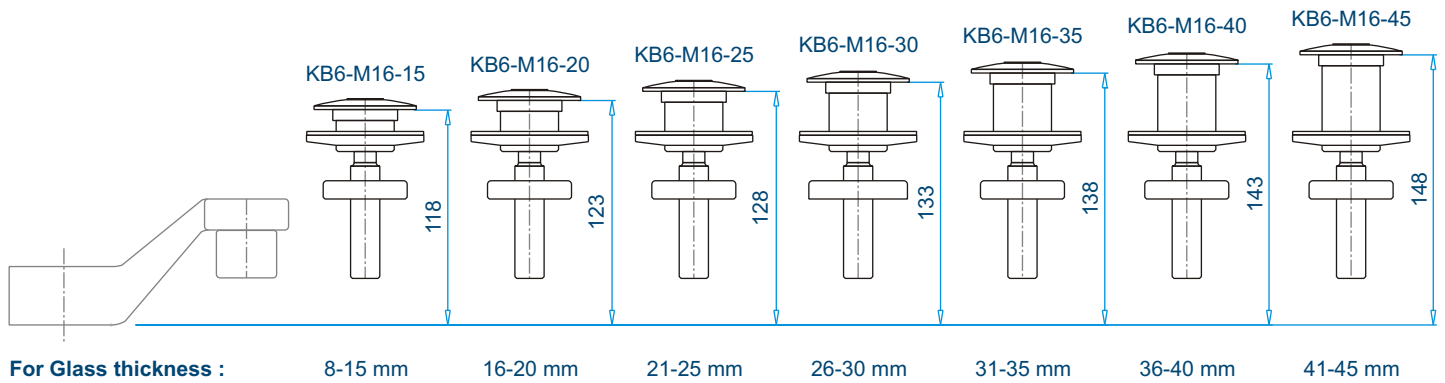
Details of Countersunk Holes for KB4 in Glass for SK Spiders.

H is dependent on KNB and KNB is dependent on Glass Thickness. So, H gets fixed When you select a particular KNB. It is till Outer Face of Glass.



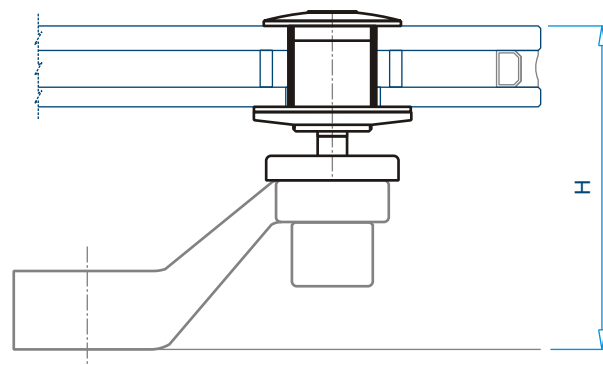
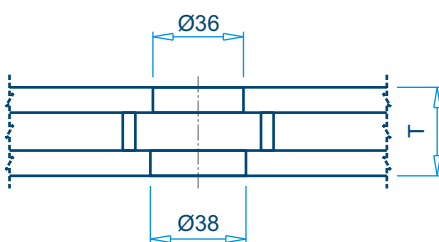
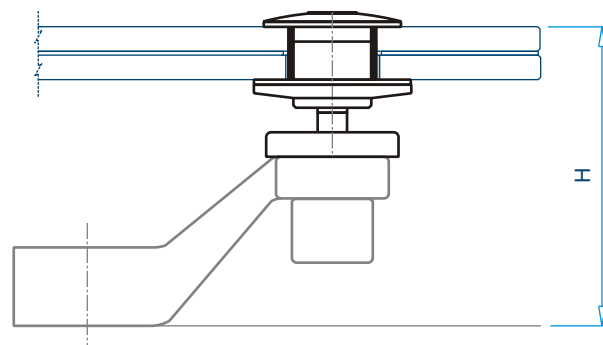
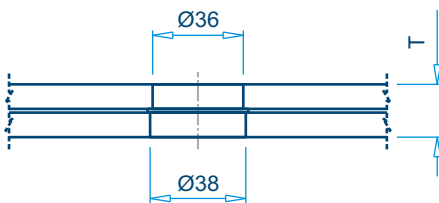
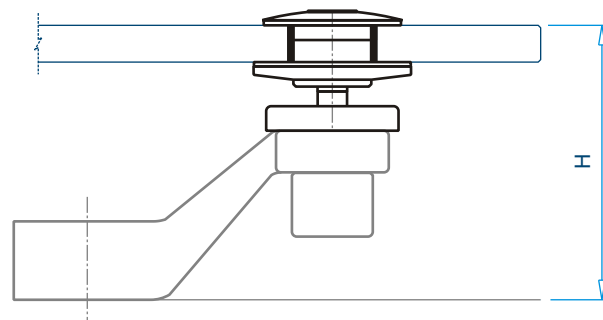
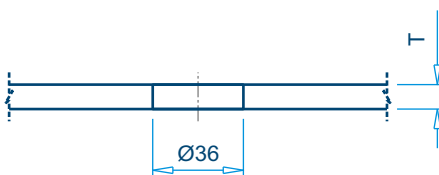
Selection of KNB KB6-M16--

The selection of KNB is depends upon thickness and type of Glass in use.
KNB are available in step of 5mm.



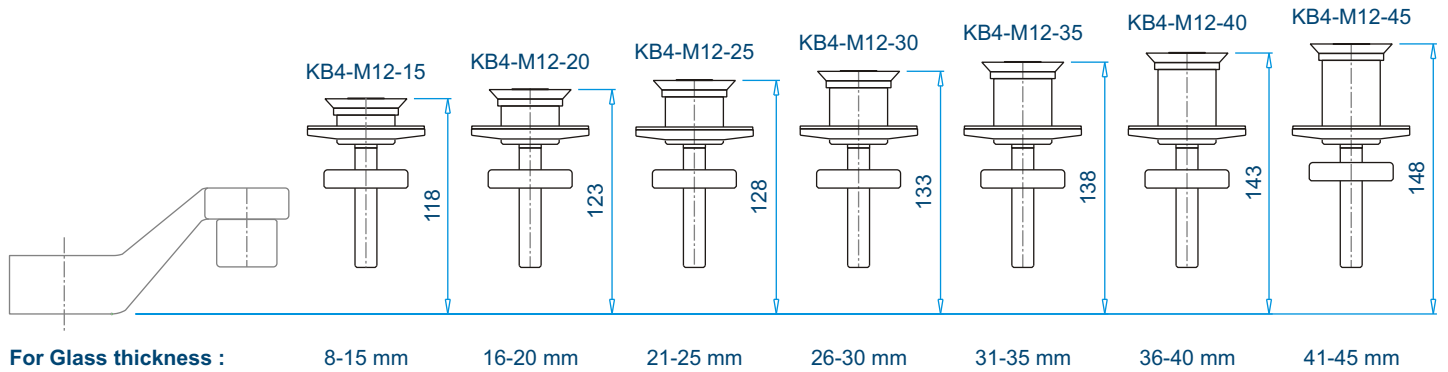
Details of Holes for KB6 Bolts
in Glass for SK Spiders.

H is dependent on KNB and KNB is dependent on Glass Thickness.
So, H gets fixed When you select a particular KNB.
It is till Outer Face of Glass.

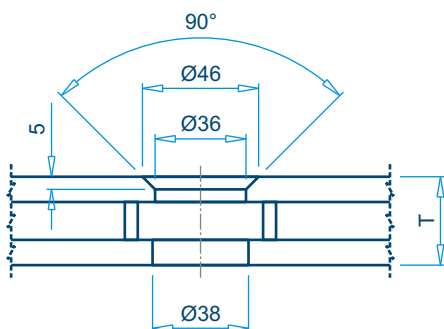
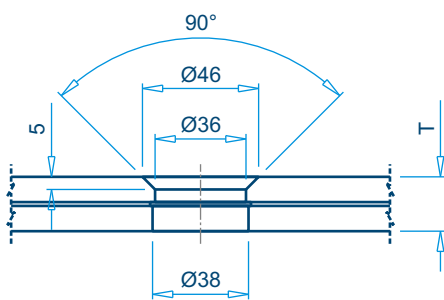
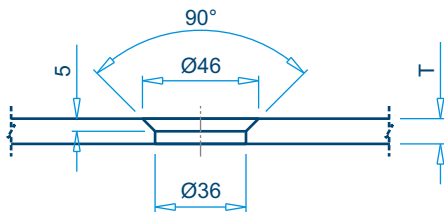


Selection of KNB KB4-M12--

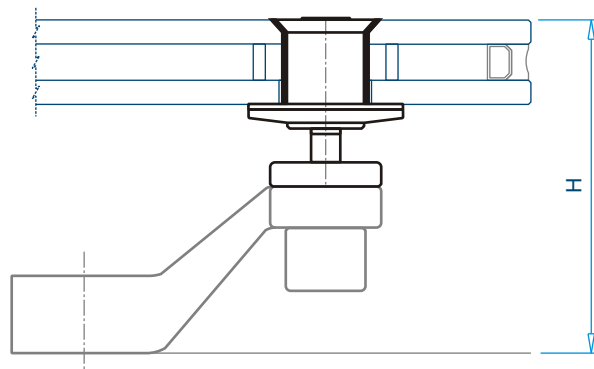
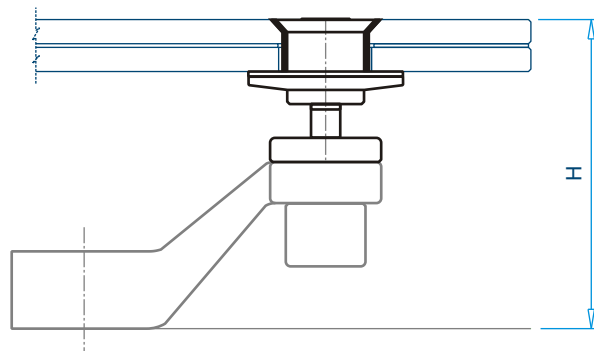
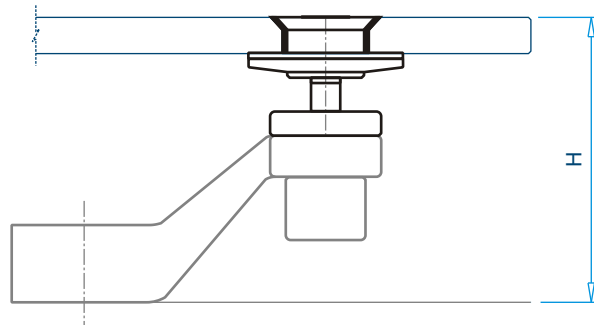
The selection of KNB is depends upon thickness and type of Glass in use.
KNB are available in step of 5mm.



Details of Countersunk Holes for KB4 in Glass for SK Spiders.

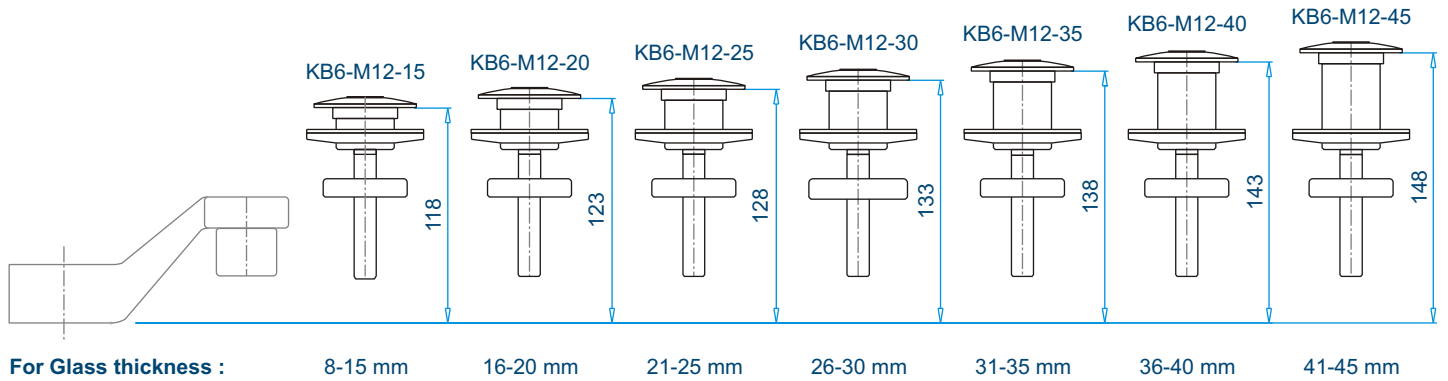


H is dependent on KNB and KNB is dependent on Glass Thickness. So, H gets fixed When you select a particular KNB. It is till Outer Face of Glass.



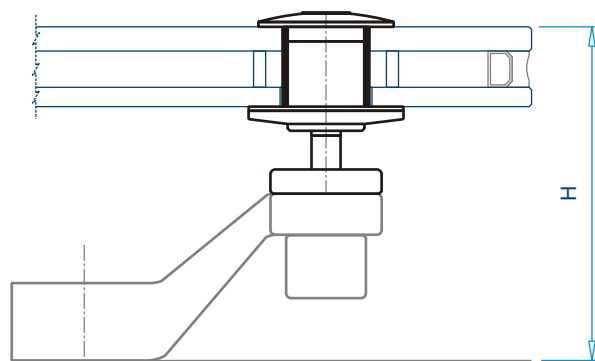
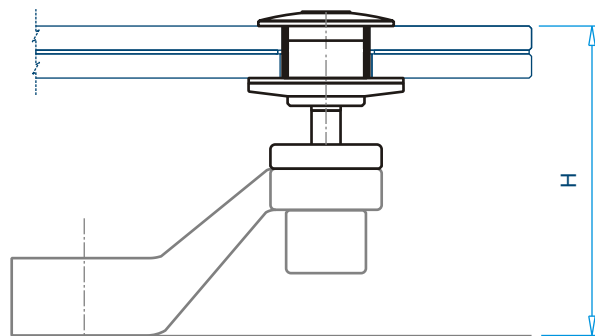
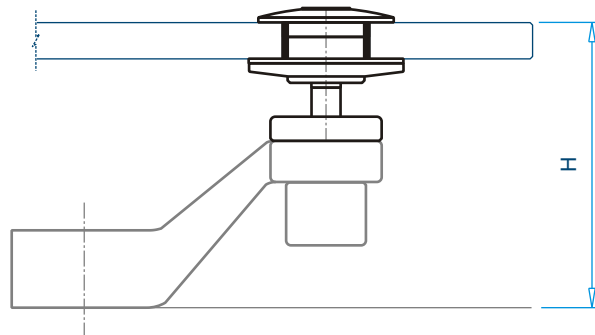
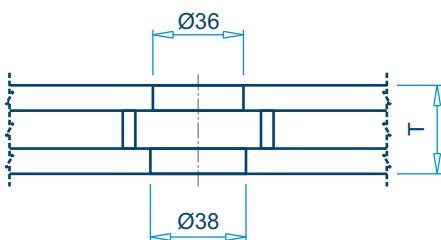
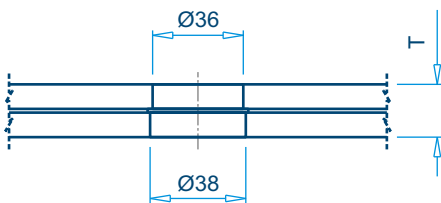
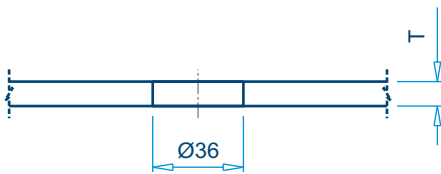
Selection of KNB KB6-M12--

The selection of KNB is depends upon thickness and type of Glass in use.
KNB are available in step of 5mm.



**Details of Holes for KB6 Bolts
in Glass for SK Spiders.**

**H is dependent on KNB and KNB is dependent on Glass Thickness.
So, H gets fixed When you select a particular KNB.
It is till Outer Face of Glass.**

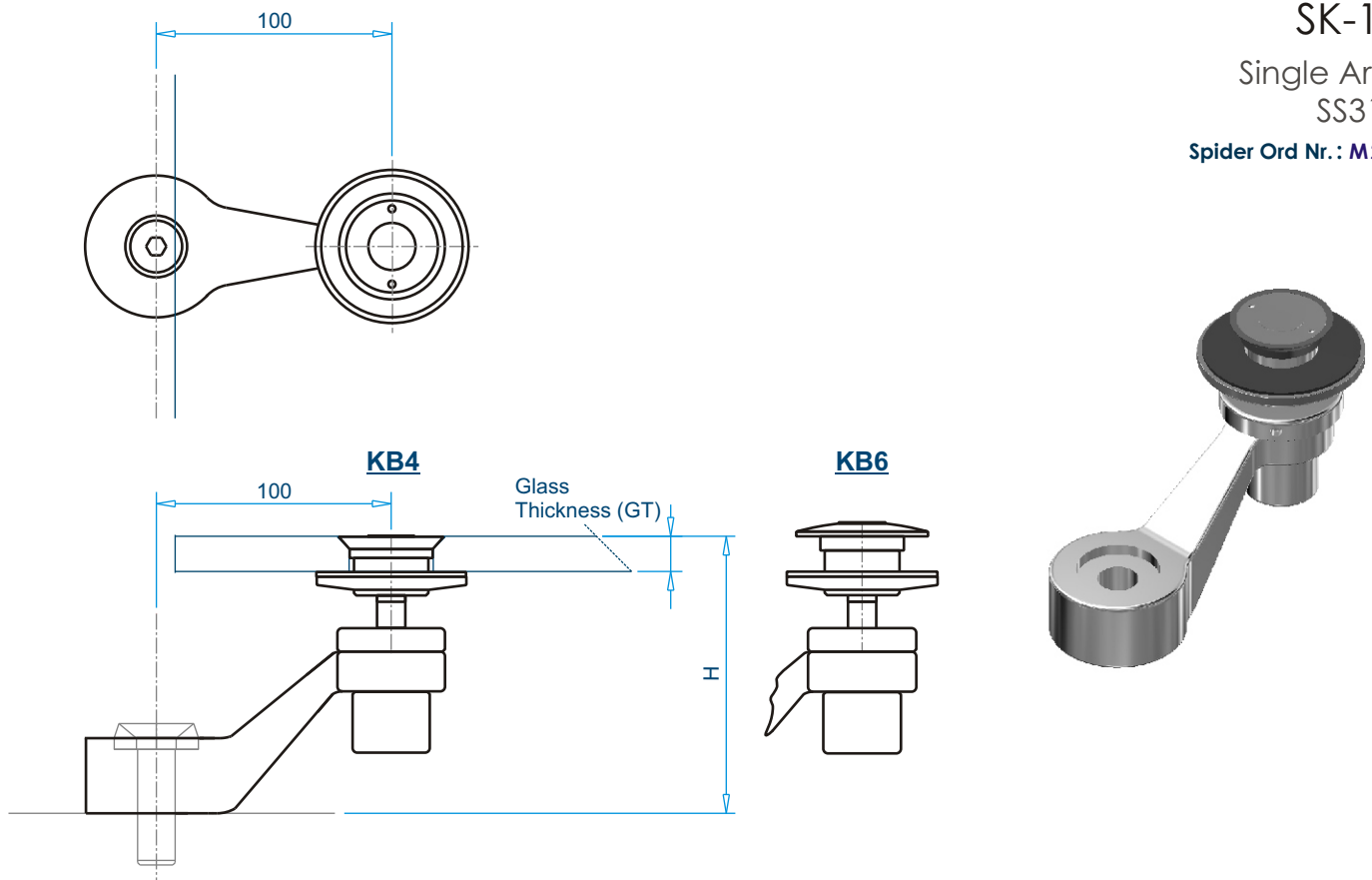


SK-1AL

Single Arm ■

SS316 ■

Spider Ord Nr.: M26563



KNB Shown are not a part of the standard supply. To be ordered separately from the table below.

S.No.	Glass Thickness (GT) mm	KNB	H (mm)	Name	KNB Ord Nr. (KB4)	KNB Ord Nr. (KB6)
1	08 - 15	KB4-15/KB6-15	118	SK-1AL-KB4-15	M10090	M13209
2	16 - 20	KB4-20/KB6-20	123	SK-1AL-KB4-20	M18330	M26505
3	21 - 25	KB4-25/KB6-25	128	SK-1AL-KB4-25	M14157	M26506
4	26 - 30	KB4-30/KB6-30	133	SK-1AL-KB4-30	M26499	M26507
5	31 - 35	KB4-35/KB6-35	138	SK-1AL-KB4-35	M19873	M26508
6	36 - 40	KB4-40/KB6-40	143	SK-1AL-KB4-40	M17881	M26509
7	41 - 45	KB4-45/KB6-45	148	SK-1AL-KB4-45	M19156	M26510

Accessories to be ordered separately.

Accessories



Locking Pin
Ord Nr. M19477



CSK Washer
Ord Nr. M30203



CSK Screw M16X60
Ord Nr. M30202



DGU Ring
Ord Nr. M18662



BF SK D60XT
Details on Page 10



WF SK D60XT
Details on Page 10



BR SK MP_D60XT
Details on Page 10



WR SK MP_D60XT
Details on Page 11

Tools



18X19



D-48



F-45



F-32



ALLEN 2



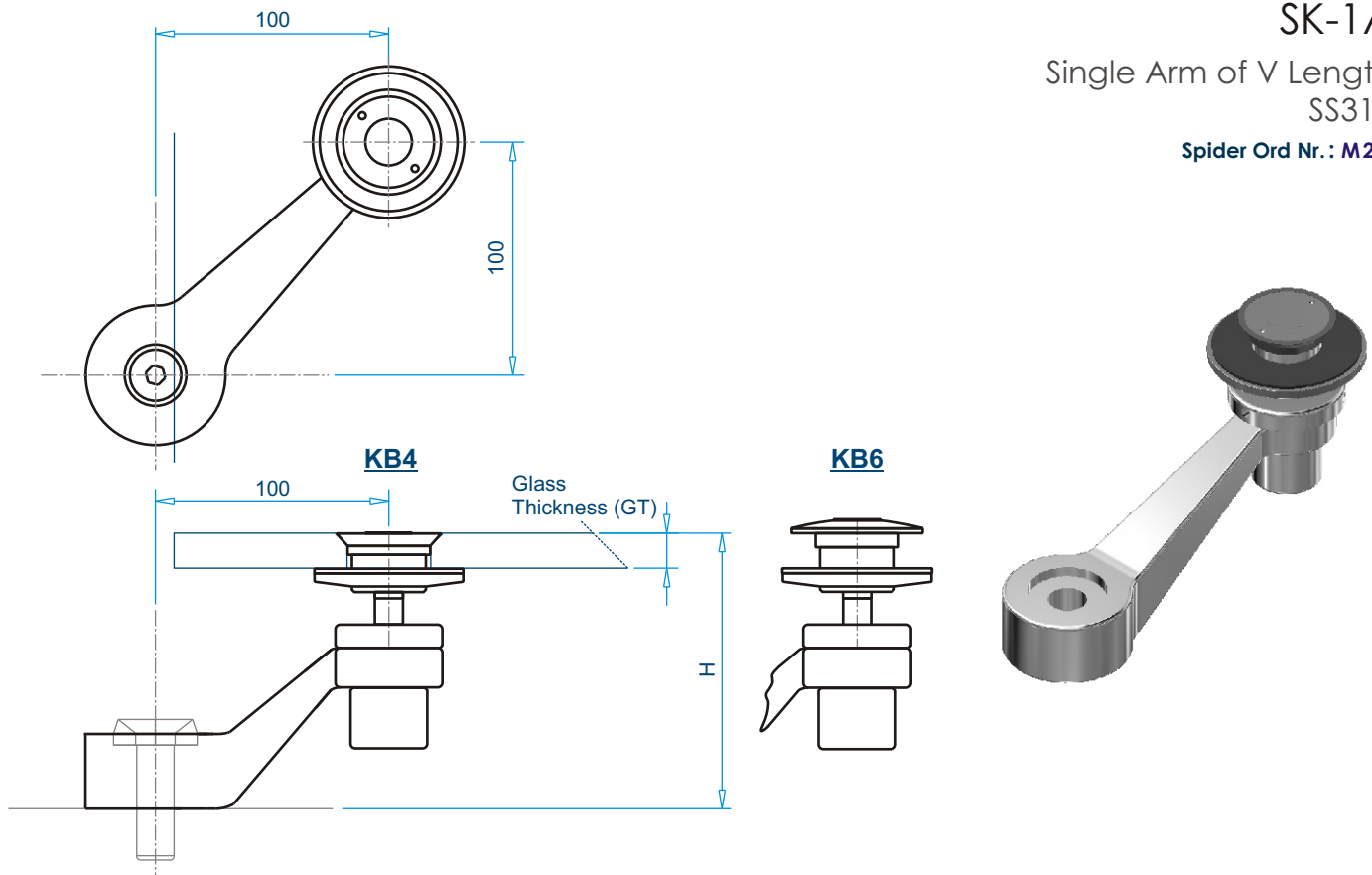
ALLEN 12

SK-1AV

Single Arm of V Length ■

SS316 ■

Spider Ord Nr.: M26564



KNB Shown are not a part of the standard supply. To be ordered separately from the table below.

S.No.	Glass Thickness (GT) mm	KNB	H (mm)	Name	KNB Ord Nr. (KB4)	KNB Ord Nr. (KB6)
1	08 - 15	KB4-15/KB6-15	118	SK-1AV-KB4-15	M10090	M13209
2	16 - 20	KB4-20/KB6-20	123	SK-1AV-KB4-20	M18330	M26505
3	21 - 25	KB4-25/KB6-25	128	SK-1AV-KB4-25	M14157	M26506
4	26 - 30	KB4-30/KB6-30	133	SK-1AV-KB4-30	M26499	M26507
5	31 - 35	KB4-35/KB6-35	138	SK-1AV-KB4-35	M19873	M26508
6	36 - 40	KB4-40/KB6-40	143	SK-1AV-KB4-40	M17881	M26509
7	41 - 45	KB4-45/KB6-45	148	SK-1AV-KB4-45	M19156	M26510

Accessories to be ordered separately.

Accessories



Locking Pin
Ord Nr. M19477



CSK Washer
Ord Nr. M30203



CSK Screw M16X60
Ord Nr. M30202



DGU Ring
Ord Nr. M18662



BF SK D60XT
Details on Page 10



WF SK D60XT
Details on Page 10



BR SK MP_D60XT
Details on Page 10



WR SK MP_D60XT
Details on Page 11

Tools



18X19



D-48



F-45



F-32



ALLEN 2



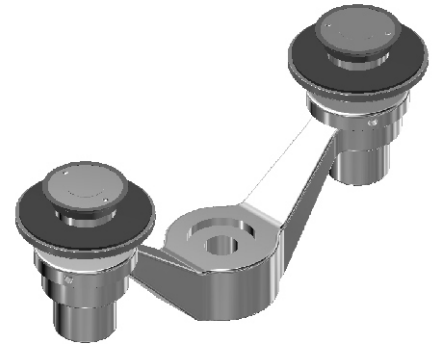
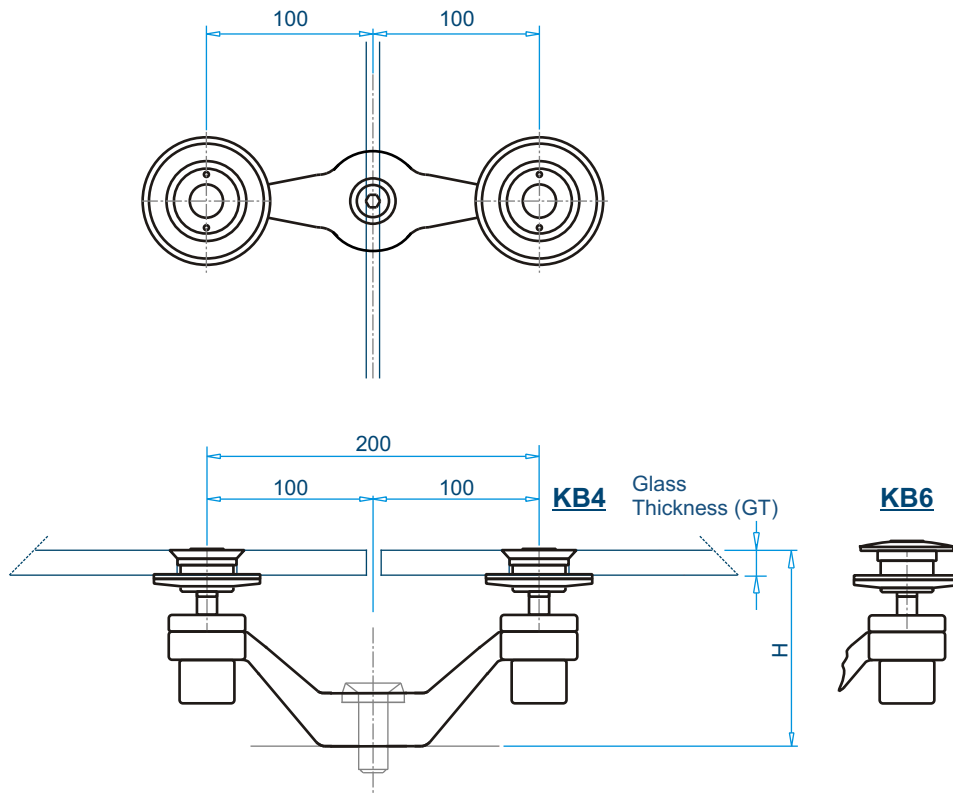
ALLEN 12

SK-2AL

Double Arm 180° ■

SS316 ■

Spider Ord Nr.: M26565



KNB Shown are not a part of the standard supply. To be ordered separately from the table below.

S.No.	Glass Thickness (GT) mm	KNB	H (mm)	Name	KNB Ord Nr. (KB4)	KNB Ord Nr. (KB6)
1	08 - 15	KB4-15/KB6-15	118	SK-2AL-KB4-15	M10090	M13209
2	16 - 20	KB4-20/KB6-20	123	SK-2AL-KB4-20	M18330	M26505
3	21 - 25	KB4-25/KB6-25	128	SK-2AL-KB4-25	M14157	M26506
4	26 - 30	KB4-30/KB6-30	133	SK-2AL-KB4-30	M26499	M26507
5	31 - 35	KB4-35/KB6-35	138	SK-2AL-KB4-35	M19873	M26508
6	36 - 40	KB4-40/KB6-40	143	SK-2AL-KB4-40	M17881	M26509
7	41 - 45	KB4-45/KB6-45	148	SK-2AL-KB4-45	M19156	M26510

Accessories to be ordered separately.

Accessories



Locking Pin
Ord Nr. M19477



CSK Washer
Ord Nr. M30203



CSK Screw M16X60
Ord Nr. M30202



DGU Ring
Ord Nr. M18662



BF SK D60XT
Details on Page 10



WF SK D60XT
Details on Page 10



BR SK MP_D60XT
Details on Page 10



WR SK MP_D60XT
Details on Page 11

Tools



18X19



D-48



F-45



F-32



ALLEN 2



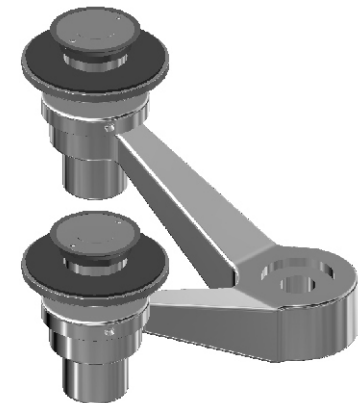
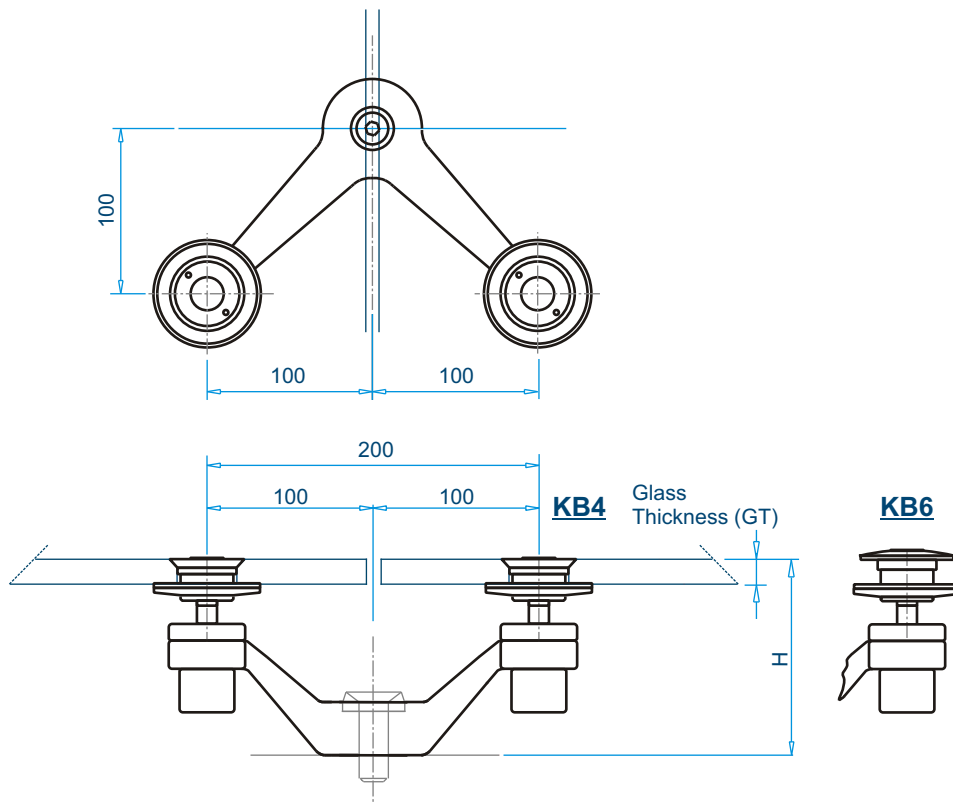
ALLEN 12

SK-2AV

Double Arm 90° ■

SS316 ■

Spider Ord Nr.: M26566



KNB Shown are not a part of the standard supply. To be ordered separately from the table below.

S.No.	Glass Thickness (GT) mm	KNB	H (mm)	Name	KNB Ord Nr. (KB4)	KNB Ord Nr. (KB6)
1	08 - 15	KB4-15/KB6-15	118	SK-2AV-KB4-15	M10090	M13209
2	16 - 20	KB4-20/KB6-20	123	SK-2AV-KB4-20	M18330	M26505
3	21 - 25	KB4-25/KB6-25	128	SK-2AV-KB4-25	M14157	M26506
4	26 - 30	KB4-30/KB6-30	133	SK-2AV-KB4-30	M26499	M26507
5	31 - 35	KB4-35/KB6-35	138	SK-2AV-KB4-35	M19873	M26508
6	36 - 40	KB4-40/KB6-40	143	SK-2AV-KB4-40	M17881	M26509
7	41 - 45	KB4-45/KB6-45	148	SK-2AV-KB4-45	M19156	M26510

Accessories to be ordered separately.

Accessories



Locking Pin
Ord Nr. M19477



CSK Washer
Ord Nr. M30203



CSK Screw M16X60
Ord Nr. M30202



DGU Ring
Ord Nr. M18662



BF SK D60XT
Details on Page 10



WF SK D60XT
Details on Page 10



BR SK MP_D60XT
Details on Page 10



WR SK MP_D60XT
Details on Page 11

Tools



18X19



D-48



F-45



F-32



ALLEN 2



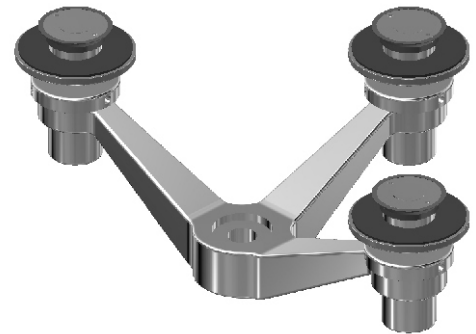
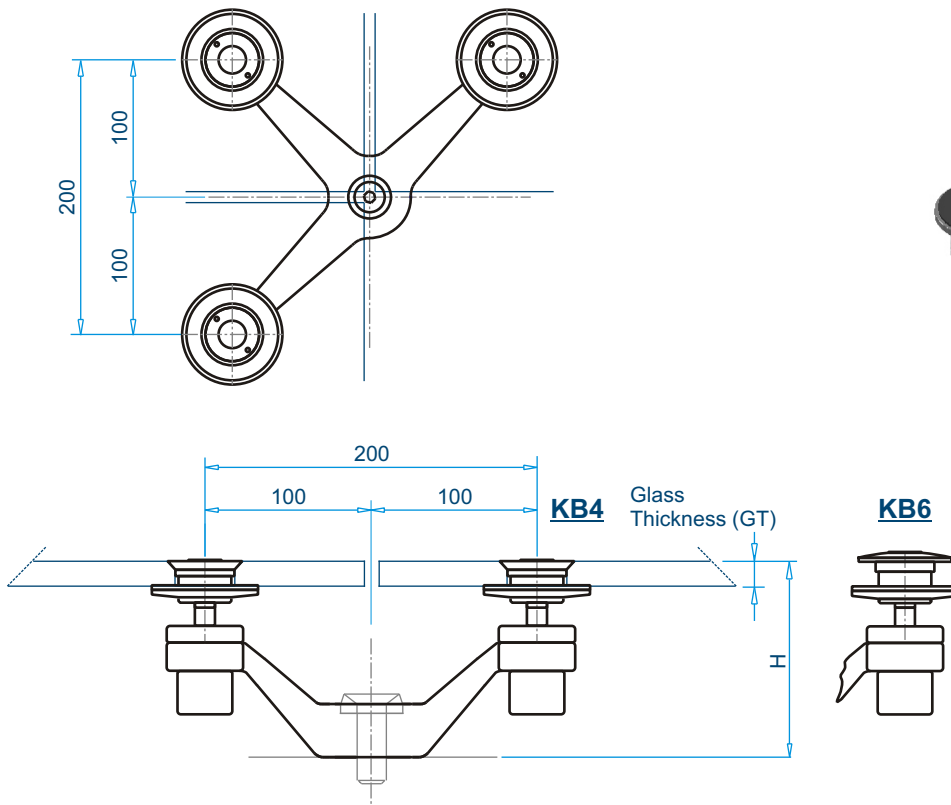
ALLEN 12

SK-3A

Three Arms ■

SS316 ■

Spider Ord Nr.: M26567



KNB Shown are not a part of the standard supply. To be ordered separately from the table below.

S.No.	Glass Thickness (GT) mm	KNB	H (mm)	Name	KNB Ord Nr. (KB4)	KNB Ord Nr. (KB6)
1	08 - 15	KB4-15/KB6-15	118	SK-3A-KB4-15	M10090	M13209
2	16 - 20	KB4-20/KB6-20	123	SK-3A-KB4-20	M18330	M26505
3	21 - 25	KB4-25/KB6-25	128	SK-3A-KB4-25	M14157	M26506
4	26 - 30	KB4-30/KB6-30	133	SK-3A-KB4-30	M26499	M26507
5	31 - 35	KB4-35/KB6-35	138	SK-3A-KB4-35	M19873	M26508
6	36 - 40	KB4-40/KB6-40	143	SK-3A-KB4-40	M17881	M26509
7	41 - 45	KB4-45/KB6-45	148	SK-3A-KB4-45	M19156	M26510

Accessories to be ordered separately.

Accessories



Locking Pin
Ord Nr. M19477



CSK Washer
Ord Nr. M30203



CSK Screw M16X60
Ord Nr. M30202



DGU Ring
Ord Nr. M18662



BF SK D60XT
Details on Page 10



WF SK D60XT
Details on Page 10



BR SK MP_D60XT
Details on Page 10



WR SK MP_D60XT
Details on Page 11

Tools



18X19



D-48



F-45



F-32



ALLEN 2



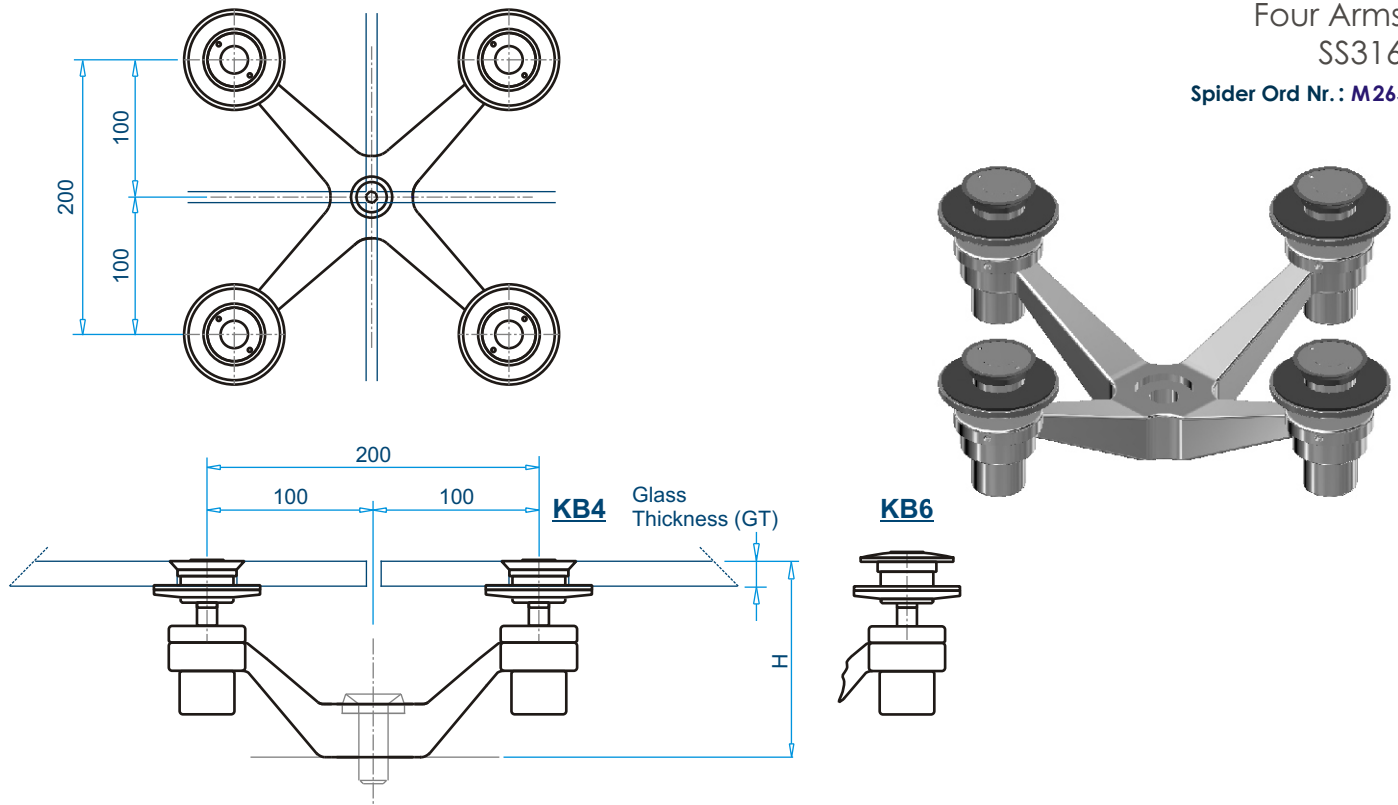
ALLEN 12

SK-4A

Four Arms ■

SS316 ■

Spider Ord Nr.: M26568



KNB Shown are not a part of the standard supply. To be ordered separately from the table below.

S.No.	Glass Thickness (GT) mm	KNB	H (mm)	Name	KNB Ord Nr. (KB4)	KNB Ord Nr. (KB6)
1	08 - 15	KB4-15/KB6-15	118	SK-4A-KB4-15	M10090	M13209
2	16 - 20	KB4-20/KB6-20	123	SK-4A-KB4-20	M18330	M26505
3	21 - 25	KB4-25/KB6-25	128	SK-4A-KB4-25	M14157	M26506
4	26 - 30	KB4-30/KB6-30	133	SK-4A-KB4-30	M26499	M26507
5	31 - 35	KB4-35/KB6-35	138	SK-4A-KB4-35	M19873	M26508
6	36 - 40	KB4-40/KB6-40	143	SK-4A-KB4-40	M17881	M26509
7	41 - 45	KB4-45/KB6-45	148	SK-4A-KB4-45	M19156	M26510

Accessories to be ordered separately.

Accessories



Locking Pin
Ord Nr. M19477



CSK Washer
Ord Nr. M30203



CSK Screw M16X60
Ord Nr. M30202



DGU Ring
Ord Nr. M18662



BF SK D60XT
Details on Page 10



WF SK D60XT
Details on Page 10



BR SK MP_D60XT
Details on Page 10



WR SK MP_D60XT
Details on Page 11

Tools



18X19



D-48



F-45



F-32



ALLEN 2



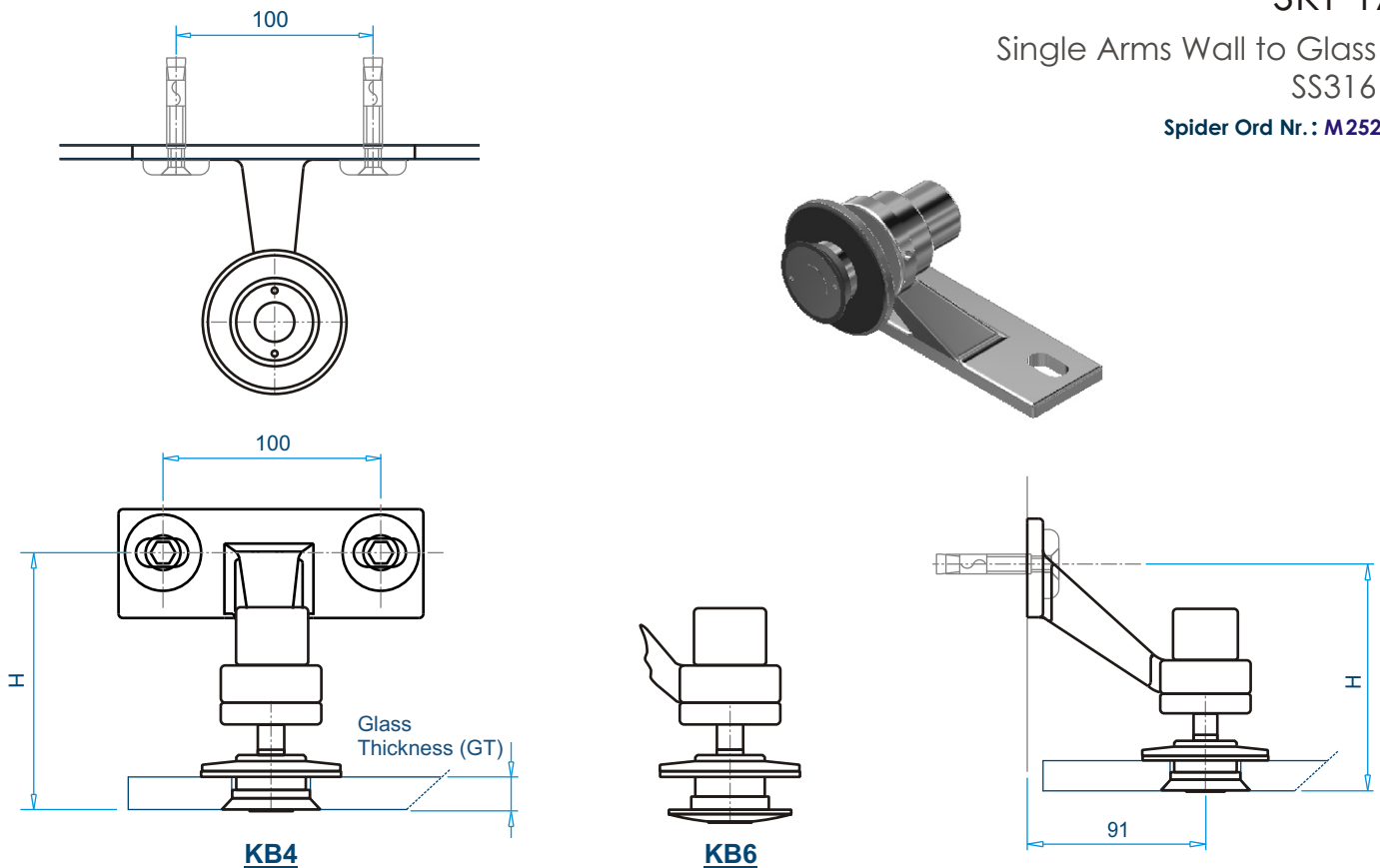
ALLEN 12

SKT-1A

Single Arms Wall to Glass ■

SS316 ■

Spider Ord Nr.: M25202

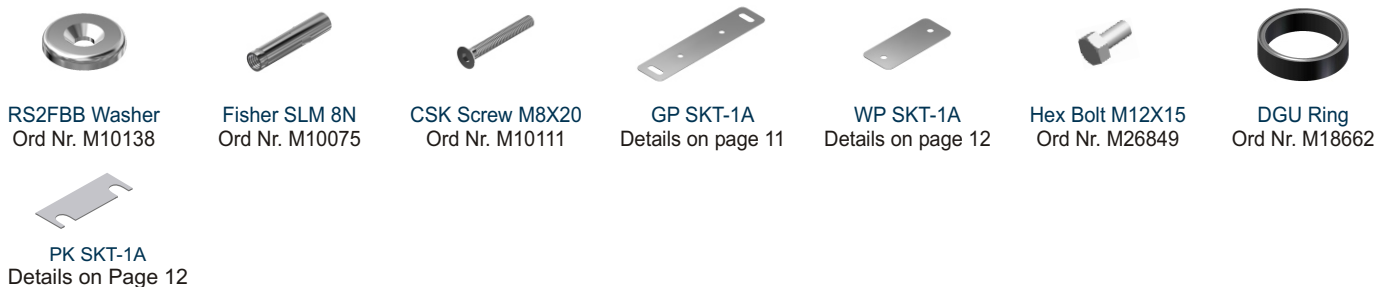


KNB Shown are not a part of the standard supply. To be ordered separately from the table below.

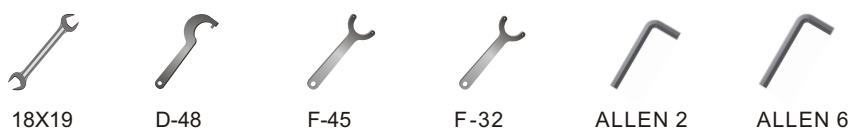
S.No.	Glass Thickness (GT) mm	KNB	H (mm)	Name	KNB Ord Nr. (KB4)	KNB Ord Nr. (KB6)
1	08 - 15	KB4-15/KB6-15	118	SKT-1A-KB4-15	M10090	M13209
2	16 - 20	KB4-20/KB6-20	123	SKT-1A-KB4-20	M18330	M26505
3	21 - 25	KB4-25/KB6-25	128	SKT-1A-KB4-25	M14157	M26506
4	26 - 30	KB4-30/KB6-30	133	SKT-1A-KB4-30	M26499	M26507
5	31 - 35	KB4-35/KB6-35	138	SKT-1A-KB4-35	M19873	M26508
6	36 - 40	KB4-40/KB6-40	143	SKT-1A-KB4-40	M17881	M26509
7	41 - 45	KB4-45/KB6-45	148	SKT-1A-KB4-45	M19156	M26510

Accessories to be ordered separately.

Accessories



Tools

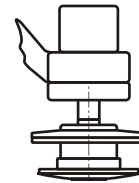
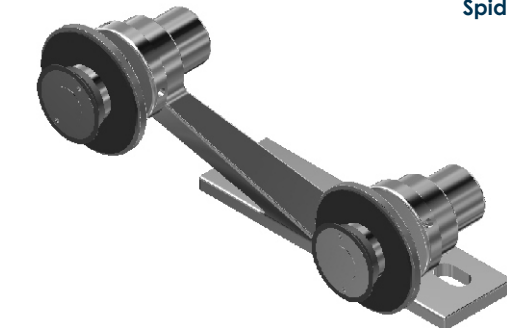
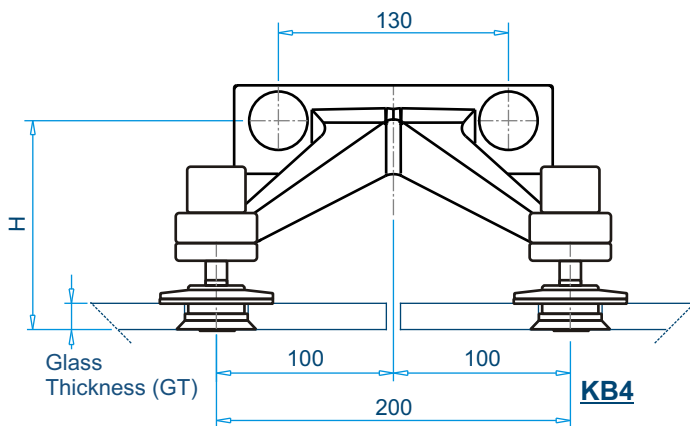
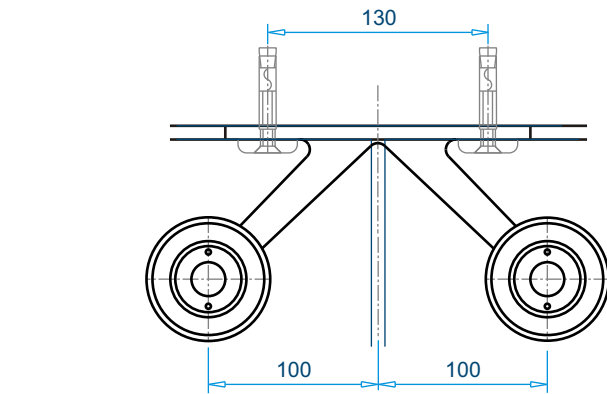


SKT-2A

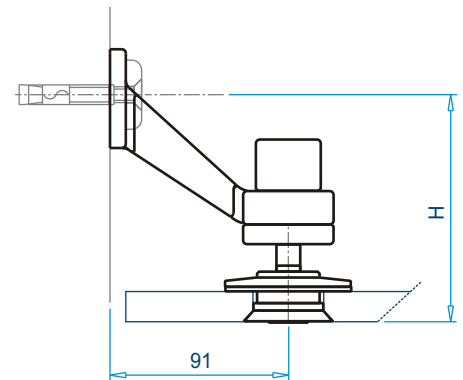
Double Arms Wall to Glass ■

SS316 ■

Spider Ord Nr.: M25409



KB6



KNB Shown are not a part of the standard supply. To be ordered separately from the table below.

S.No.	Glass Thickness (GT) mm	KNB	H (mm)	Name	KNB Ord Nr. (KB4)	KNB Ord Nr. (KB6)
1	08 - 15	KB4-15/KB6-15	118	SKT-2A-KB4-15	M10090	M13209
2	16 - 20	KB4-20/KB6-20	123	SKT-2A-KB4-20	M18330	M26505
3	21 - 25	KB4-25/KB6-25	128	SKT-2A-KB4-25	M14157	M26506
4	26 - 30	KB4-30/KB6-30	133	SKT-2A-KB4-30	M26499	M26507
5	31 - 35	KB4-35/KB6-35	138	SKT-2A-KB4-35	M19873	M26508
6	36 - 40	KB4-40/KB6-40	143	SKT-2A-KB4-40	M17881	M26509
7	41 - 45	KB4-45/KB6-45	148	SKT-2A-KB4-45	M19156	M26510

Accessories to be ordered separately.

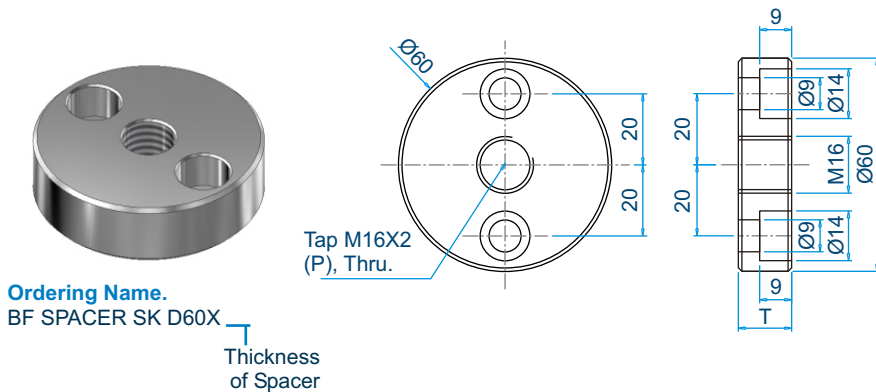
Accessories

RS2FBB Washer Ord Nr. M10138	Fisher SLM 8N Ord Nr. M10075	CSK Screw M8X20 Ord Nr. M10111	GP SKT-2A Details on page 11	WP SKT-2A Details on page 12	Hex Bolt M12X15 Ord Nr. M26849	DGU Ring Ord Nr. M18662
PK SKT-2A Details on Page 12						

Tools

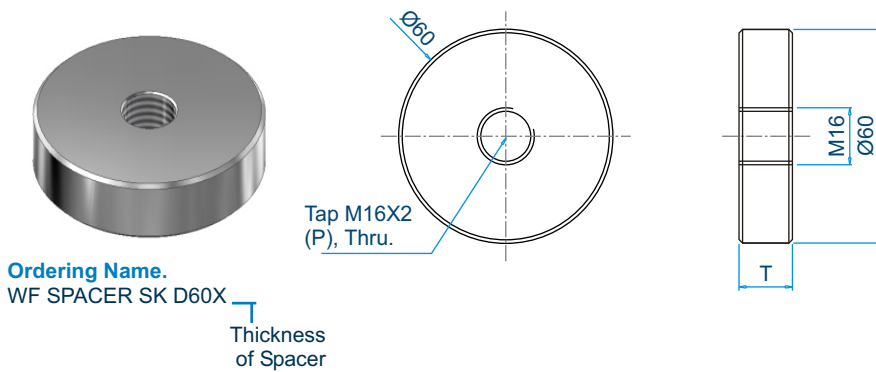
18X19	D-48	F-45	F-32	ALLEN 2	ALLEN 6

ACCESSORIES



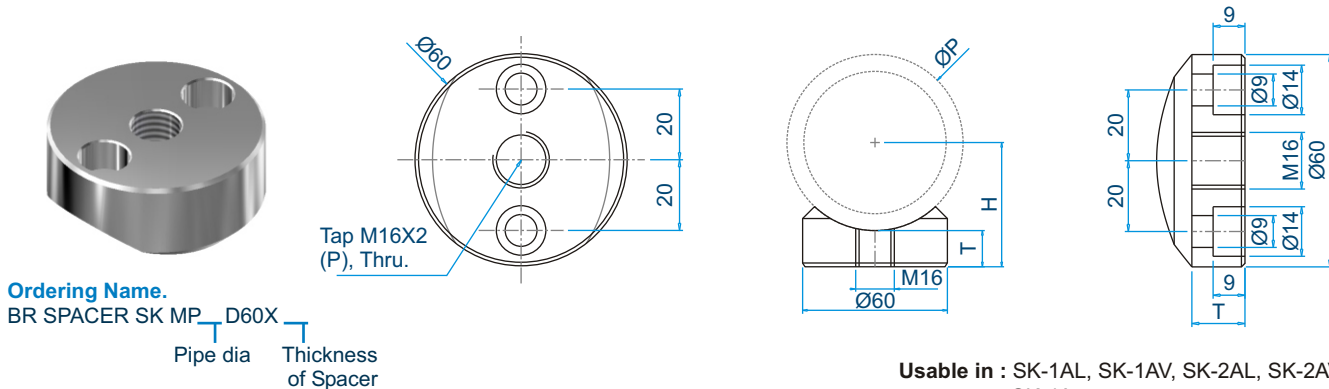
S.No.	Name	Thick (T) mm	Ord Nr.
1	BF SK D60X10	10	M50021
2	BF SK D60X12	12	M50022
3	BF SK D60X15	15	M50023
4	BF SK D60X20	20	M50024
5	Other on Request	--	----

Usable in : SK-1AL, SK-1AV, SK-2AL, SK-2AV, SK-3A, SK-4A.



S.No.	Name	Thick (T) mm	Ord Nr.
1	WF SK D60X10	10	M50025
2	WF SK D60X12	12	M50026
3	WF SK D60X15	15	M50027
4	WF SK D60X20	20	M50028
5	Other on Request	--	----

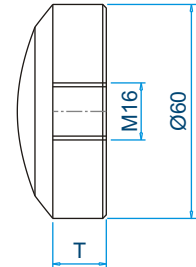
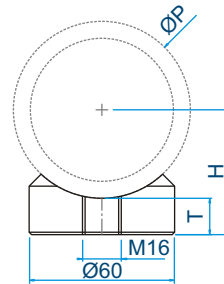
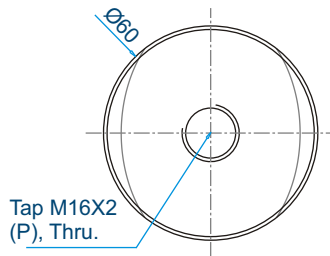
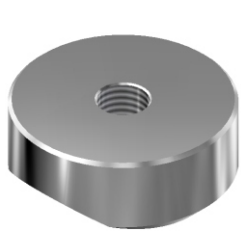
Usable in : SK-1AL, SK-1AV, SK-2AL, SK-2AV, SK-3A, SK-4A.



Usable in : SK-1AL, SK-1AV, SK-2AL, SK-2AV, SK-3A, SK-4A.

Pipe	Thickness (T)				
	ØP (mm)	10	12	15	20
73	Name	BR SK M73_D73X10	BR SK M73_D73X12	BR SK M73_D73X15	BR SK M73_D73X20
	Ord Nr.	M50001	M50002	M50003	M50004
89	Name	BR SK M89_D73X10	BR SK M89_D73X12	BR SK M89_D73X15	BR SK M89_D73X20
	Ord Nr.	M50005	M50006	M50007	M50008
102	Name	BR SK M102_D73X10	BR SK M102_D73X12	BR SK M102_D73X15	BR SK M102_D73X20
	Ord Nr.	M50009	M50010	M50011	M50012
114	Name	BR SK M114_D73X10	BR SK M114_D73X12	BR SK M114_D73X15	BR SK M114_D73X20
	Ord Nr.	M50013	M50014	M50015	M50016
152	Name	BR SK M152_D73X10	BR SK M152_D73X12	BR SK M152_D73X15	BR SK M152_D73X20
	Ord Nr.	M50017	M50018	M50019	M50020

ACCESSORIES



Ordering Name.

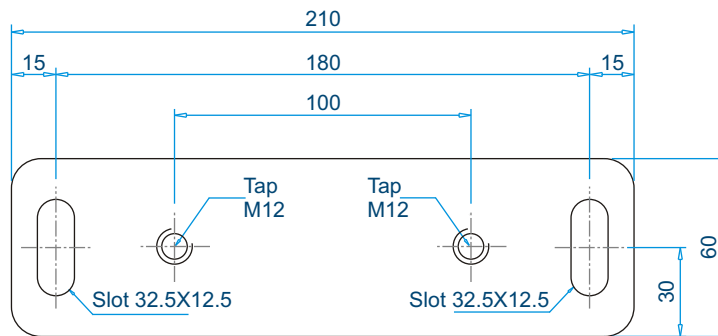
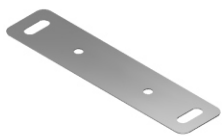
WR SPACER SK MP D60X

Pipe dia

Thickness of Spacer

Usable in : SK-1AL, SK-1AV, SK-2AL, SK-2AV, SK-3A, SK-4A.

Pipe	Thickness (T)			
	10	12	15	20
73 Name	WR SK M73_D73X10	WR SK M73_D73X12	WR SK M73_D73X15	WR SK M73_D73X20
Ord Nr.	M50029	M50030	M50031	M50032
89 Name	WR SK M89_D73X10	WR SK M89_D73X12	WR SK M89_D73X15	WR SK M89_D73X20
Ord Nr.	M50033	M50034	M50035	M50036
102 Name	WR SK M102_D73X10	WR SK M102_D73X12	WR SK M102_D73X15	WR SK M102_D73X20
Ord Nr.	M50037	M50038	M50039	M50040
114 Name	WR SK M114_D73X10	WR SK M114_D73X12	WR SK M114_D73X15	WR SK M114_D73X20
Ord Nr.	M50041	M50042	M50043	M50044
152 Name	WR SK M152_D73X10	WR SK M152_D73X12	WR SK M152_D73X15	WR SK M152_D73X20
Ord Nr.	M50045	M50046	M50047	M50048

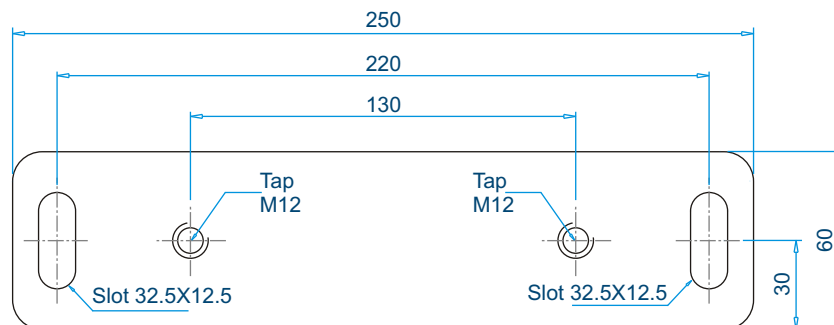


Ord Nr. M13290

Usable in : SKT-1A

Grouting Plate SKT-1A

Mat : MS Zinc Plated



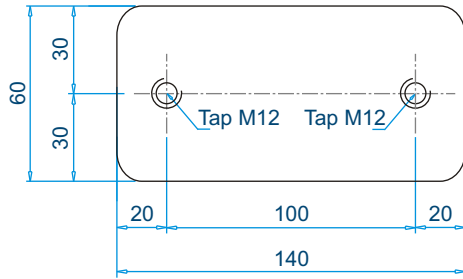
Ord Nr. M15194

Usable in : SKT-2A

Grouting Plate SKT-2A

Mat : MS Zinc Plated

ACCESSORIES

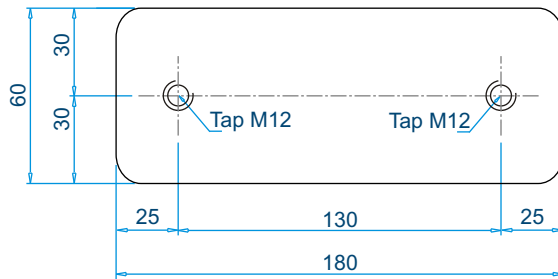


Mat : MS Zinc Plated



Ord Nr. M50209

Usable in : SKT-1A

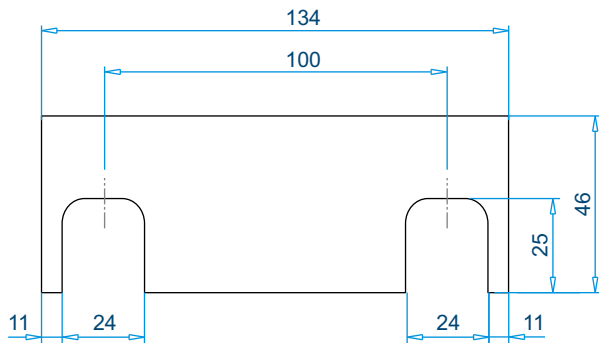


Mat : MS Zinc Plated



Ord Nr. M50210

Usable in : SKT-2A

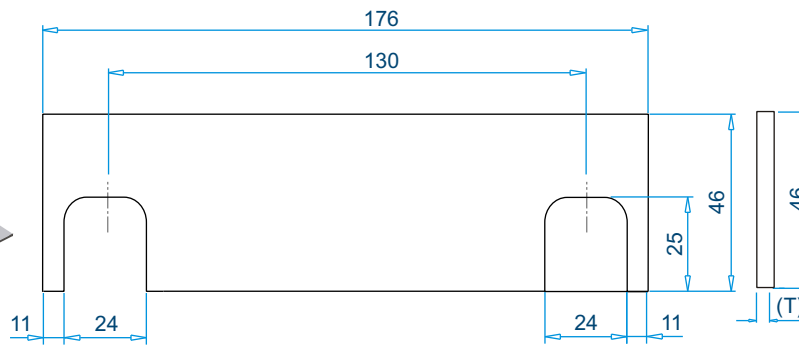
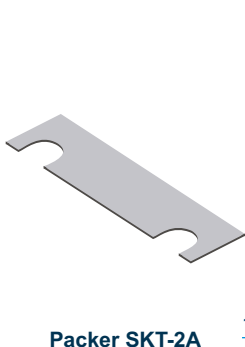


Mat : MS Zinc Plated



S.No.	Name	Thick (T)	Ord Nr.
1	SKSS-PK-1	1	M50215
2	SKSS-PK-2	2	M50214
3	SKSS-PK-5	5	M50216

Usable in : SKT-1A



Mat : MS Zinc Plated



S.No.	Name	Thick (T)	Ord Nr.
1	SKDS-PK-1	1	M50212
2	SKDS-PK-2	2	M50211
3	SKDS-PK-5	5	M50213

Usable in : SKT-2A

SPARE PARTS



DOM NUT M12
Ord Nr. M10071



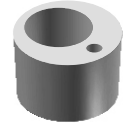
HEX NUT M12
Ord Nr. M10145



PLAIN WASHER M12
Ord Nr. M10132



RING NUT M12
Ord Nr. M21110



SMALL RING ECCENTRIC
Ord Nr. M25403



DOM NUT M16
Ord Nr. M26421



HEX NUT M16
Ord Nr. M11695



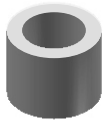
PLAIN WASHER M16
Ord Nr. M17205



RING NUT M16
Ord Nr. M24397



BIG RING ECCENTRIC
Ord Nr. M25402



NYLON BUSH
Ord Nr. M14071