



- Made from SS316 bars using precision machining methods.
- These fin plates are offered in excellent machine as well as mirror polished finishes.
- The design of these fin plates offers high on side adjustment possibilities.
- Special mounting possibilities and to add to all low cost.
- These spiders can be very easily used in applications using smaller panels on fin plates.



RS2FBB



RS2FBB4



RS2FBB4.5



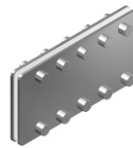
RS2FBB5



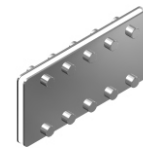
RS2SFP



RS2SFP4



RS2SFP4.5



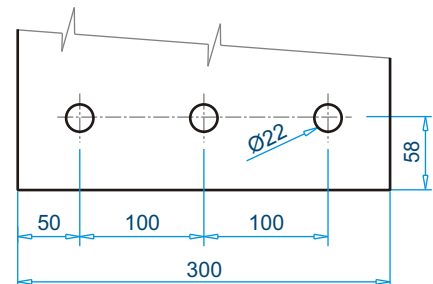
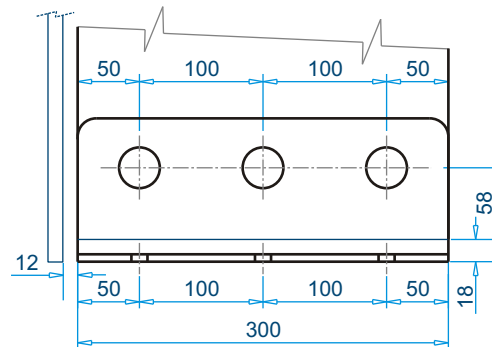
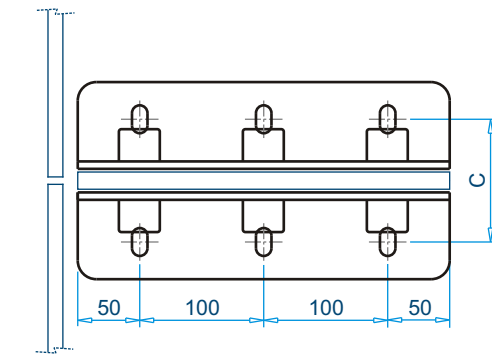
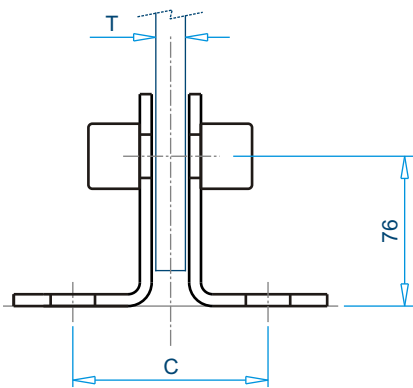
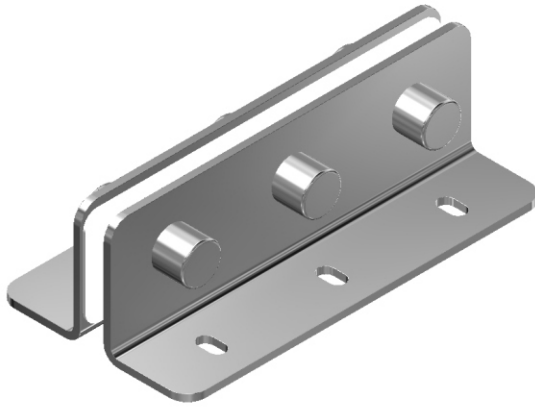
RS2SFP5

**RS2FBB**

Fin Bottom Bracket ■

SS316 ■

Ord Nr. : M16652

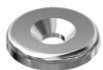


Holes on Fin

Accessories to be ordered separately.

S.No.	Fin Thickness - T	C
1	12 mm	96 mm
2	15 mm	99 mm
3	19 mm	103 mm

**Accessories**



RS2FBB Washer  
Ord Nr. M10138



Fisher Anchor SLM 8N  
Ord Nr. M10075



CSK Allen Screw M8X60  
Ord Nr. M12633



Grouting Plate RS2FBB  
Details on page 9

**Tools**



18X19



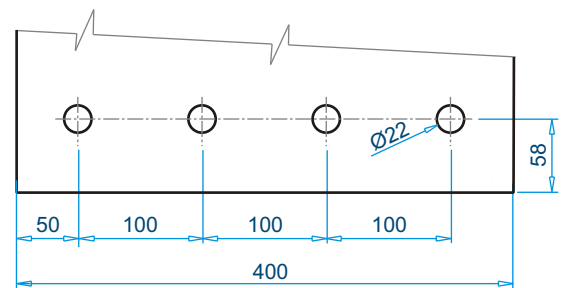
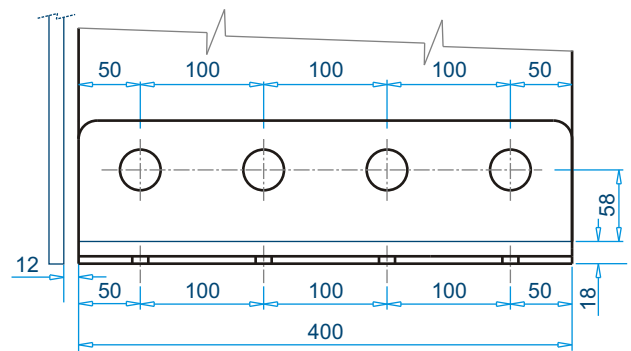
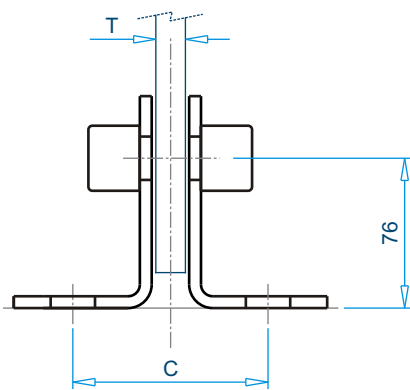
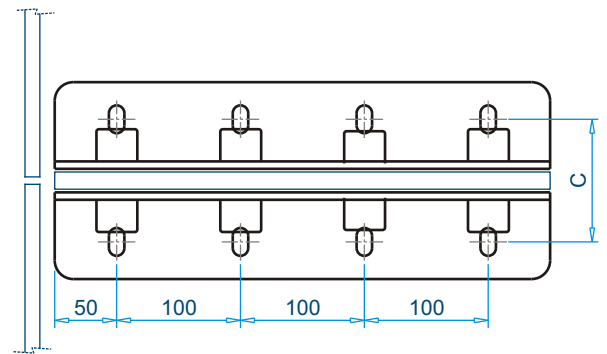
ALLEN 5

# RS2FBB4

Fin Bottom Bracket 40 cm ■

SS316 ■

Ord Nr. : M10007

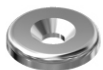


Holes on Fin

Accessories to be ordered separately.

S.No.	Fin Thickness - T	C
1	12 mm	96 mm
2	15 mm	99 mm
3	19 mm	103 mm

### Accessories



RS2FBB Washer  
Ord Nr. M10138



Fisher Anchor SLM 8N  
Ord Nr. M10075



CSK Allen Screw M8X60  
Ord Nr. M12633



Grouting Plate RS2FBB4  
Details on page 9

### Tools



18X19



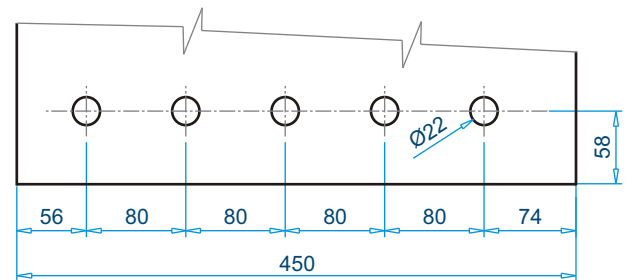
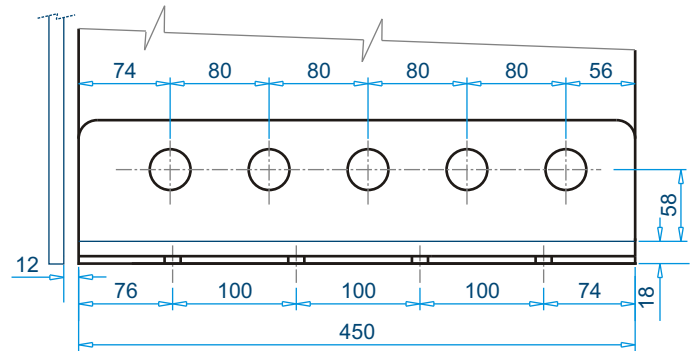
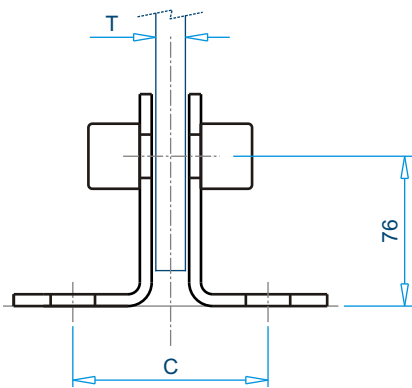
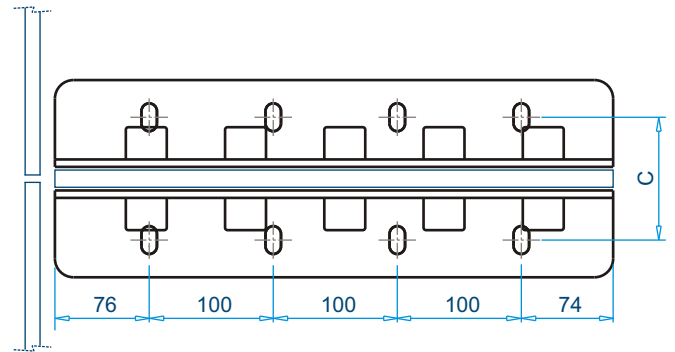
ALLEN 5

# RS2FBB4.5

Fin Bottom Bracket 45 cm ■

SS316 ■

Ord Nr. : M15124

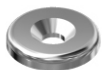


Holes on Fin

Accessories to be ordered separately.

S.No.	Fin Thickness - T	C
1	12 mm	96 mm
2	15 mm	99 mm
3	19 mm	103 mm

### Accessories



RS2FBB Washer  
Ord Nr. M10138



Fisher Anchor SLM 8N  
Ord Nr. M10075



CSK Allen Screw M8X60  
Ord Nr. M12633



Grouting Plate RS2FBB4.5  
Details on page 9

### Tools



18X19

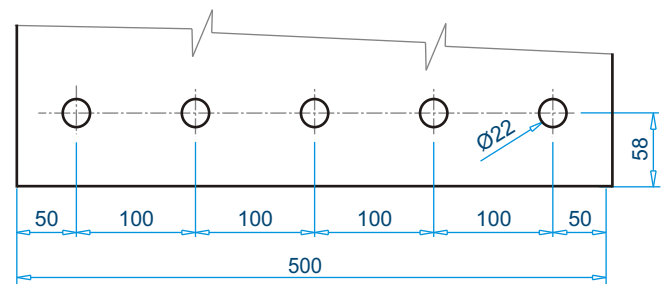
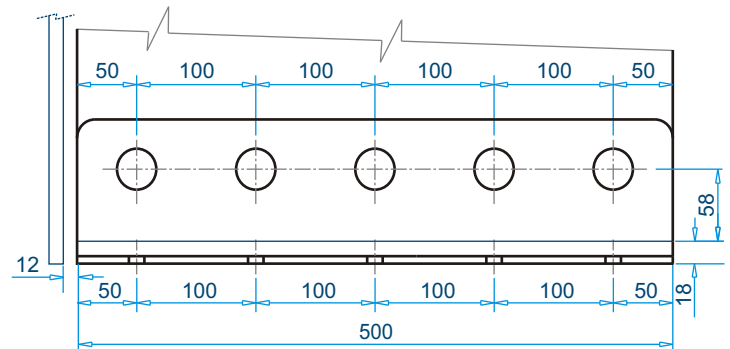
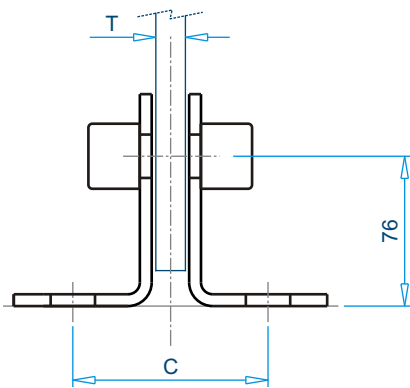
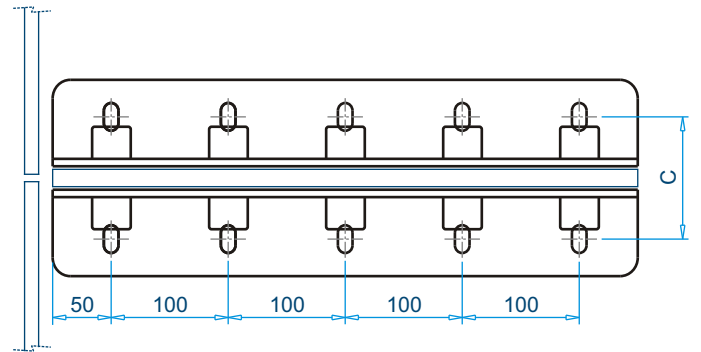


ALLEN 5

# RS2FBB5

Fin Bottom Bracket 50 cm ■  
SS316 ■

Ord Nr. : M26418

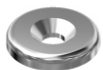


Holes on Fin

Accessories to be ordered separately.

S.No.	Fin Thickness - T	C
1	12 mm	96 mm
2	15 mm	99 mm
3	19 mm	103 mm

### Accessories



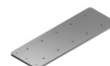
RS2FBB Washer  
Ord Nr. M10138



Fisher Anchor SLM 8N  
Ord Nr. M10075



CSK Allen Screw M8X60  
Ord Nr. M12633



Grouting Plate RS2FBB5  
Details on page 9

### Tools



18X19

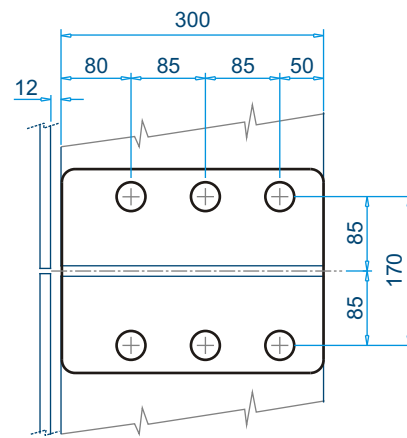
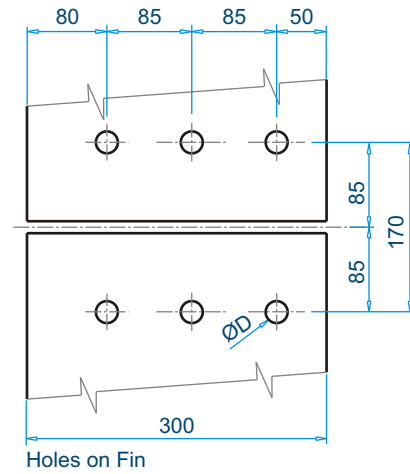
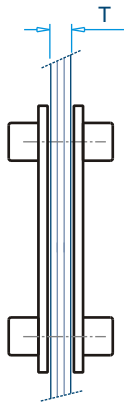
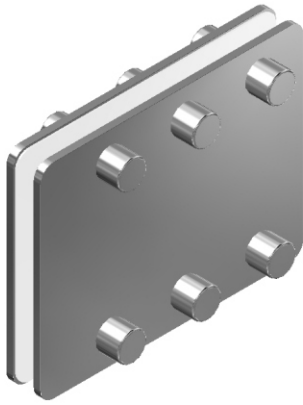


ALLEN 5

**RS2SFP**

Spliced Fin Plate ■  
SS316 ■

Ord Nr. : M10013



S.No.	Fin Thickness - T	Hole Dia. - D
1	10 mm	22 mm
2	12 mm	22 mm
3	15 mm	22 mm
4	19 mm	22 mm

**Accessories**

**Tools**



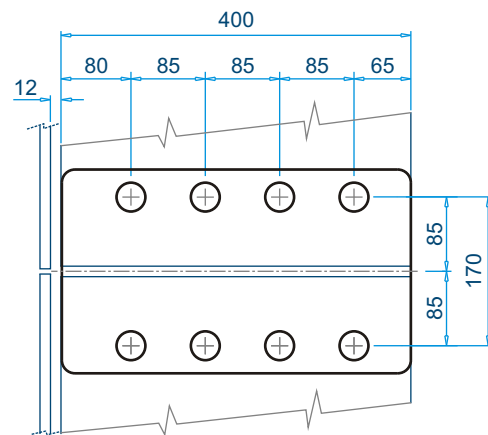
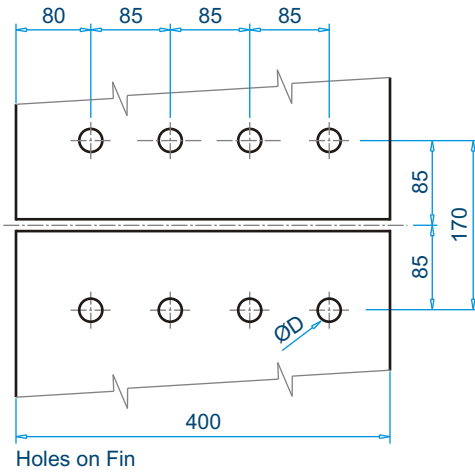
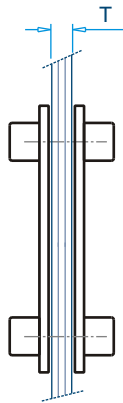
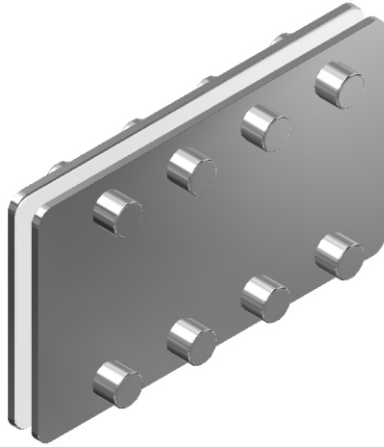
18X19

**RS2SFP4**

Spliced Fin Plate 40 cm ■

SS316 ■

Ord Nr. : M10012



S.No.	Fin Thickness - T	Hole Dia. - D
1	10 mm	22 mm
2	12 mm	22 mm
3	15 mm	22 mm
4	19 mm	22 mm

**Accessories**

**Tools**

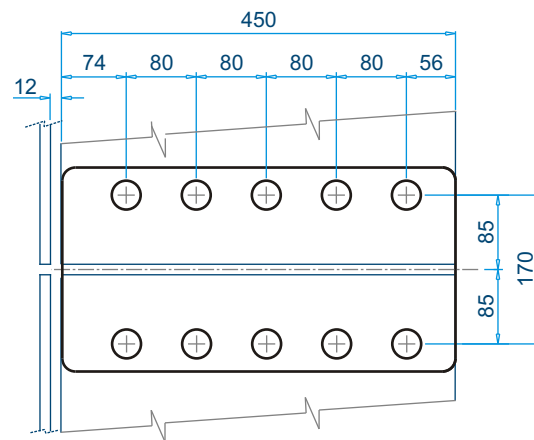
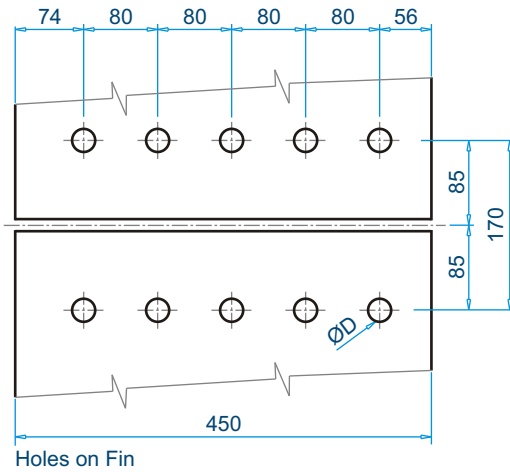
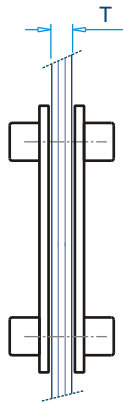
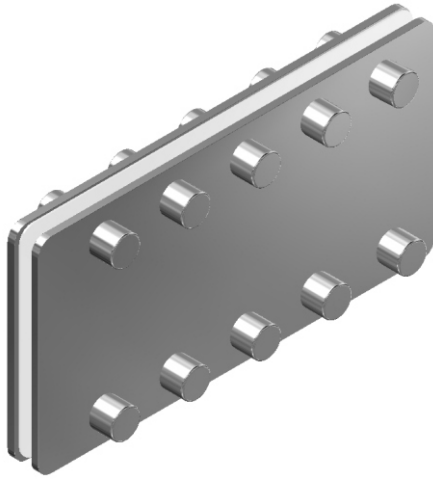


18X19

# RS2SFP4.5

Spliced Fin Plate 45 cm ■  
SS316 ■

Ord Nr. : M17314



S.No.	Fin Thickness - T	Hole Dia. - D
1	10 mm	22 mm
2	12 mm	22 mm
3	15 mm	22 mm
4	19 mm	22 mm

### Accessories

### Tools



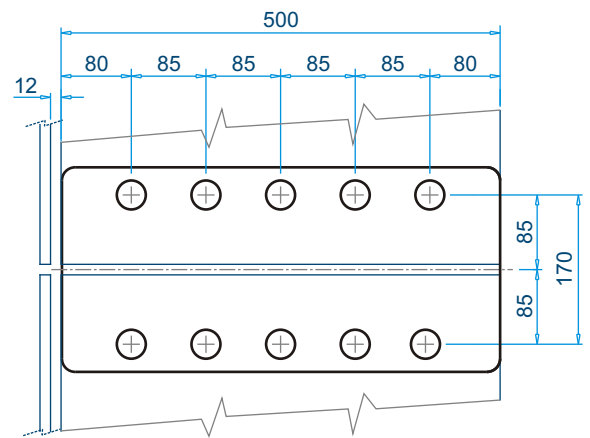
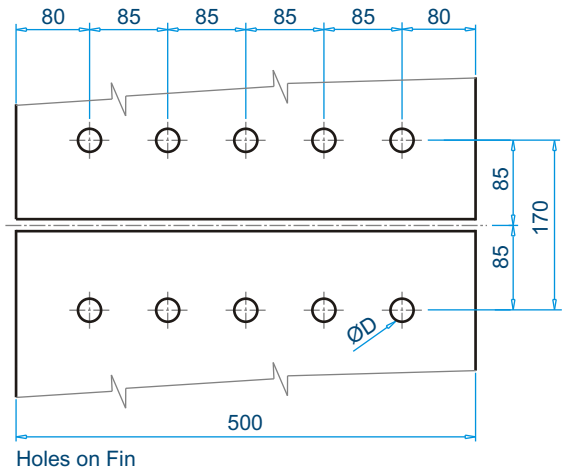
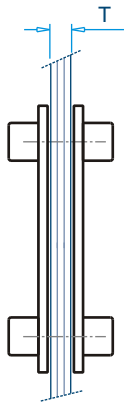
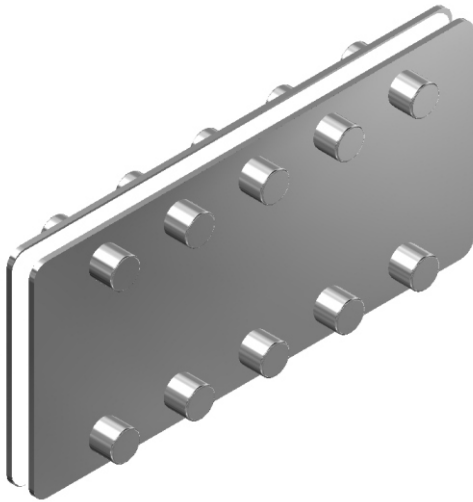
18X19



**RS2SFP5**

Spliced Fin Plate 50 cm ■  
SS316 ■

Ord Nr. : M26729



S.No.	Fin Thickness - T	Hole Dia. - D
1	10 mm	22 mm
2	12 mm	22 mm
3	15 mm	22 mm
4	19 mm	22 mm

**Accessories**

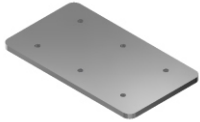
**Tools**



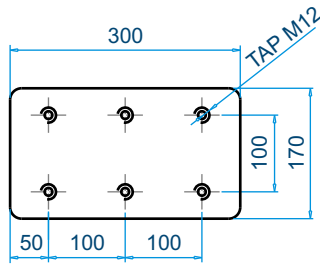
18X19

# ACCESSORIES

(Optional, to be ordered separately.)



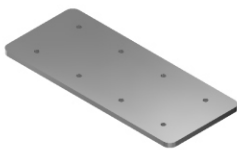
**GROUTING PLATE**



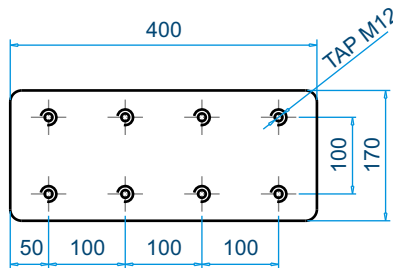
**Mat : MS Zinc Plated**



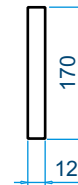
**Ord Nr. : M18381**  
**Usable in : RS2FBB**



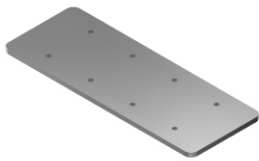
**GROUTING PLATE**



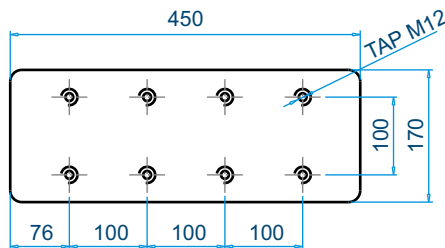
**Mat : MS Zinc Plated**



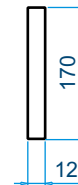
**Ord Nr. : M26795**  
**Usable in : RS2FBB4**



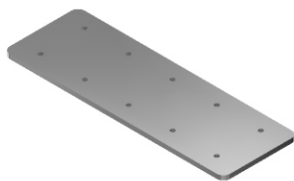
**GROUTING PLATE**



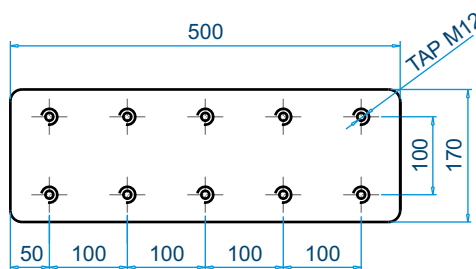
**Mat : MS Zinc Plated**



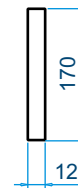
**Ord Nr. : M26796**  
**Usable in : RS2FBB4.5**



**GROUTING PLATE**



**Mat : MS Zinc Plated**



**Ord Nr. : M50237**  
**Usable in : RS2FBB5**

## SPARE PARTS



**STUD M12**

S.No.	Glass Thickness	Stud Size	Ord Nr.
1	10 mm to 19 mm	Stud M12X73	M10126
2	20 mm to 25 mm	Stud M12X80	M10129
3	25 mm to 30 mm	Stud M12X85	M50227
4	30 mm to 35 mm	Stud M12X90	M13676

**Mat : SS**