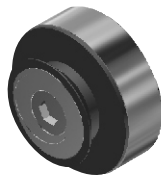




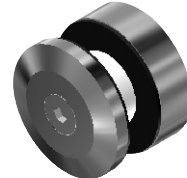
- Made from SS316 using special precision machining methods.
- These fitting are offered in excellent machined finishes.
- The design of these fittings offers high on site adjustment possibilities.
- Special mounting possibilities and to add to all low cost.
- These fittings can be very easily used in applications using extra thick



FBE3



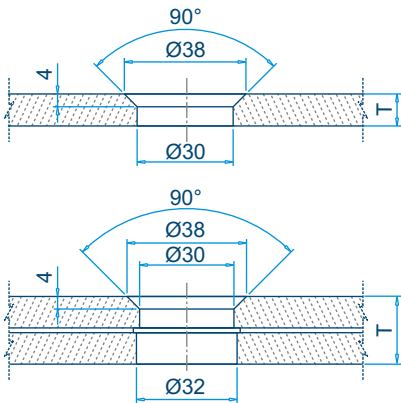
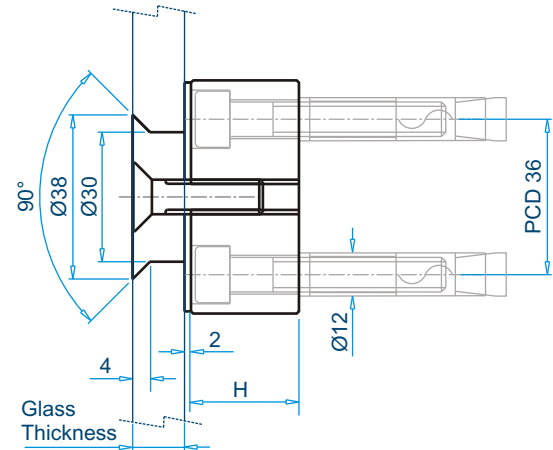
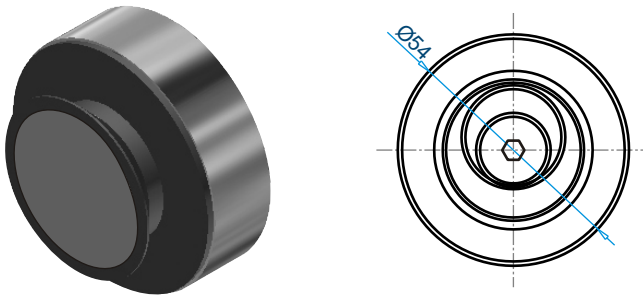
FBE4



HRF5

FBE3

SS316 ■



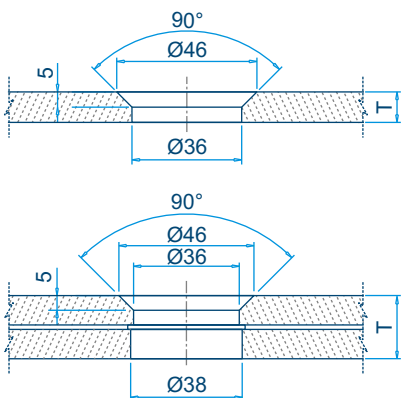
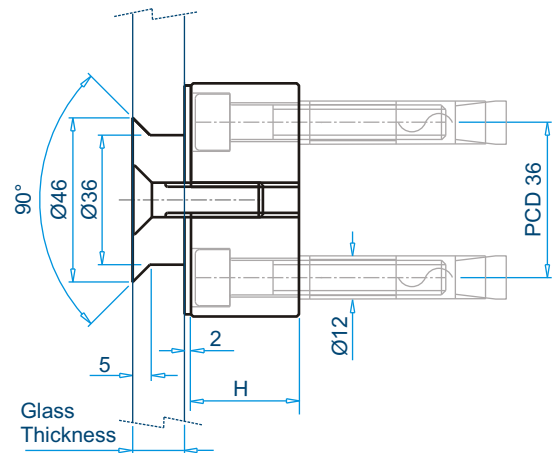
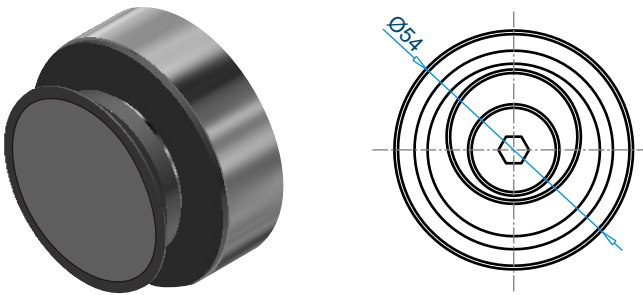
S.No.	Item Name	Dim H	Ord Nr. (Black)	Ord Nr. (White)
1	FBE3-15	15	M24959	M30209
2	FBE3-25	25	M24960	M30210
3	FBE3-40	40	M26513	M30211
4	FBE3-50	50	M26514	M30212
5	FBE3-X	On Request	----	----

Details on Countersunk Hole on Glass

Accessories to be ordered separately.

FBE4

SS316 ■

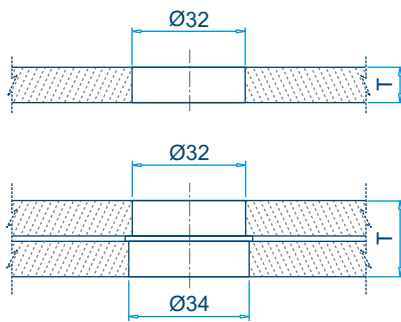
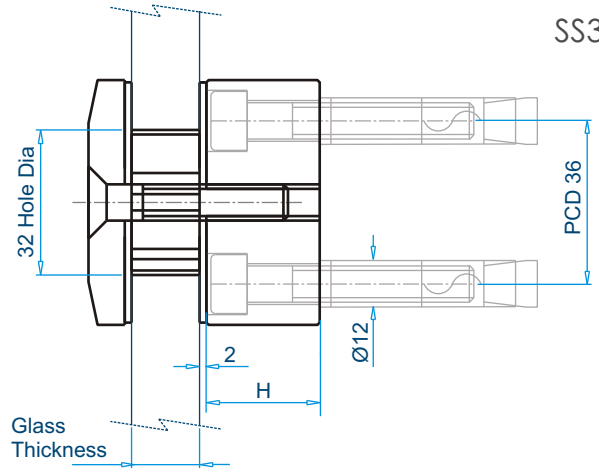
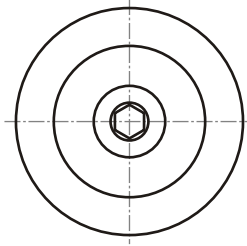


S.No.	Item Name	Dim H	Ord Nr. (Black)	Ord Nr. (White)
1	FBE4-15	15	M24372	M30213
2	FBE4-25	25	M23042	M30214
3	FBE4-40	40	M26516	M30215
4	FBE4-50	50	M26517	M30216
5	FBE4-X	On Request	----	----

Details on Countersunk Hole on Glass

Accessories to be ordered separately.

HRF5
SS316 ■



Details of Hole on Glass

S.No.	Item Name	Dim H	Ord Nr. (Black)	Ord Nr. (White)
1	HRF5-15	15	M26518	M30217
2	HRF5-25	25	M26519	M30218
3	HRF5-40	40	M26520	M30219
4	HRF5-X	On Request	----	----

Accessories to be ordered separately.

ACCESSORIES

(Optional, to be ordered separately.)



FBE3 COVER
Ord Nr. M25368

Usable in : FBE3



FBE4 COVER
Ord Nr. M22736

Usable in : FBE4



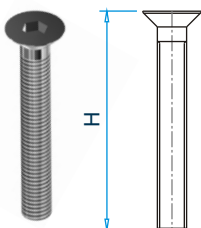
FISHER ANCHOR SLM 8
Ord Nr. M10075



ALLEN BOLT M8X60
Ord Nr. M11401

SPARE PARTS

TOOLS



CSK SS
ALLEN SCREW

S.No.	Glass Thick (mm)	H	FBE3	Ord Nr.	FBE4	Ord Nr.
1	8 to 15 mm	30	M8X30	M50193	M10X30	M50199
2	15 to 20 mm	30	M8X35	M50194	M10X35	M50200
3	20 to 25 mm	40	M8X40	M50195	M10X40	M50201
4	25 to 30 mm	45	M8X45	M50196	M10X45	M50202
5	30 to 35 mm	50	M8X50	M50197	M10X50	M50203
6	35 to 40 mm	55	M8X55	M50198	M10X55	M50204



ALLEN M5 ALLEN M6