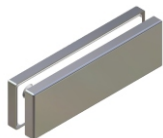
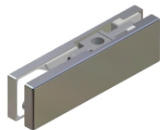




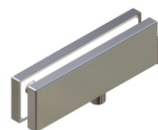
- Original and unique design yet compatible with most popular cutouts.
- Unique weather resistant grip gasket with slip free texture & design.
- Corrosion resist and Cover plates in SS316.
- Corrosion Resistant SS fasteners.
- Range available with all stainless steel parts.
- Range available for thick & large sized doors.
- Most patch fittings are available in Hairline / Brush, Satin and Mirror finish.



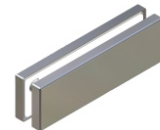
EC 100



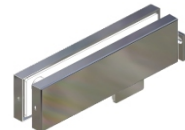
EC 200



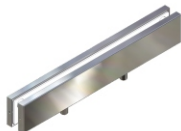
EC 300



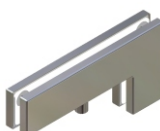
EC 300K



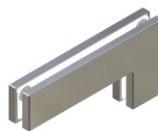
EC 300S



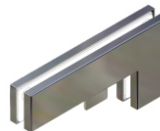
EC 320



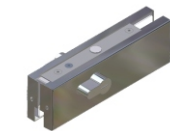
EC 400



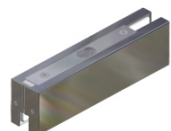
EC 400K



EC 400S



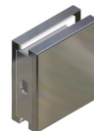
EC 710



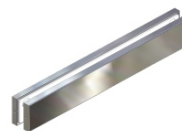
EC 711



EC 740



EC 741



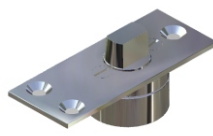
EC 800



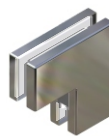
EC 810



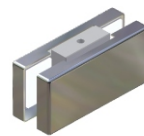
EC 820



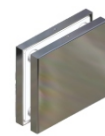
EC 830



EC 840



EC 850



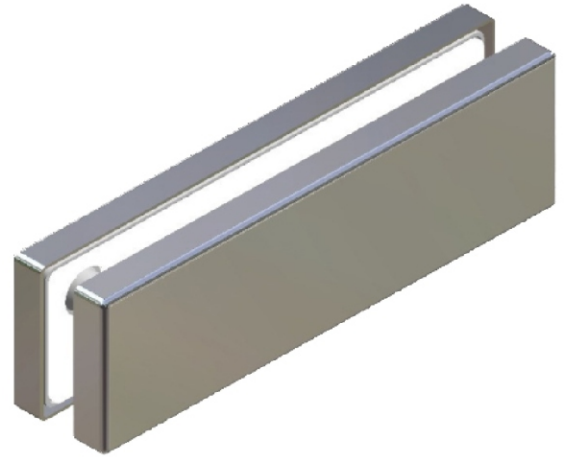
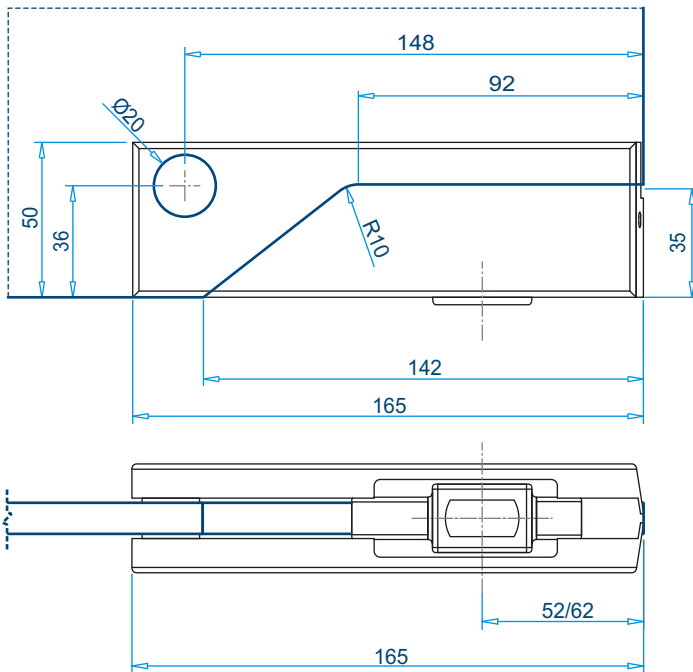
EC 860

## EC 100

Door Bottom Patch ■

SS316 ■

Ord Nr.: M13167



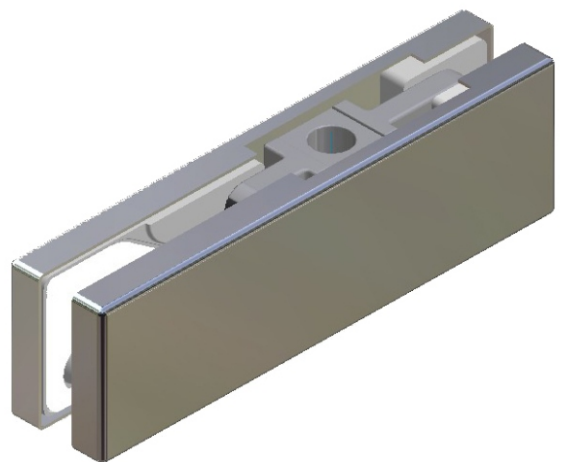
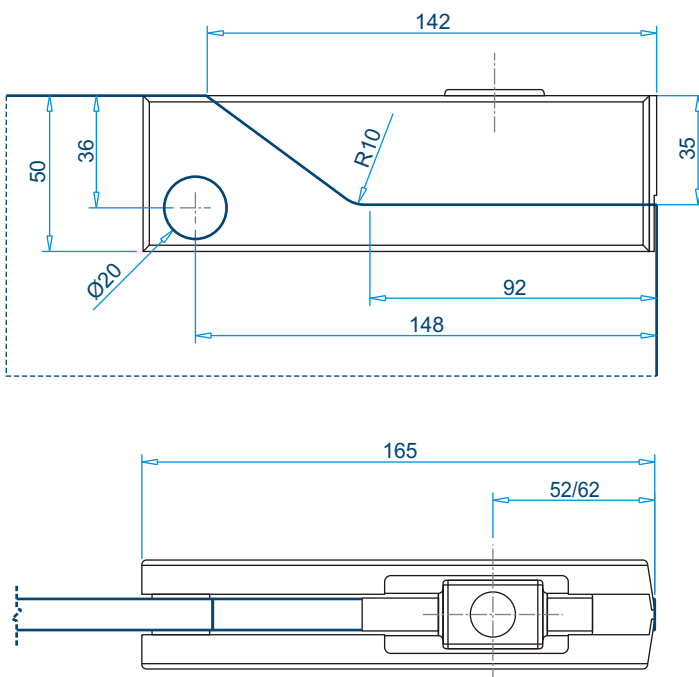
■ Optional Accessories on Page 11

## EC 200

Door Top Patch ■

SS316 ■

Ord Nr.: M13168

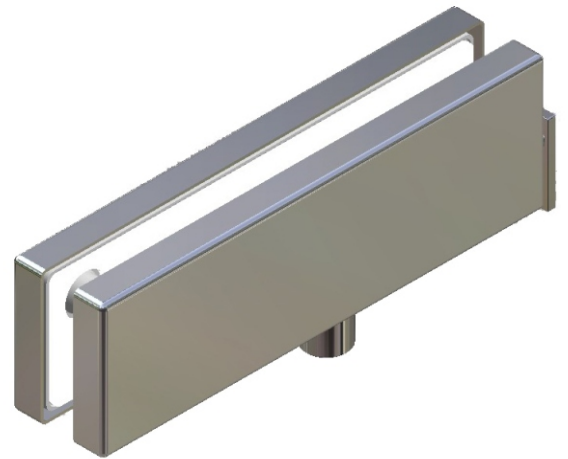
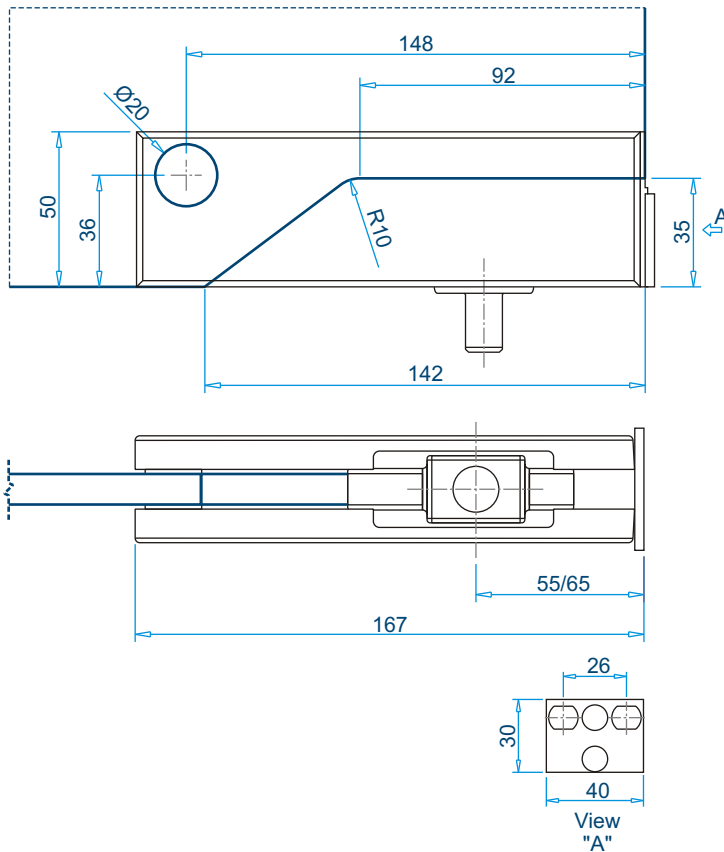


■ Optional Accessories on Page 11

### EC 300

Wall to Glass Top Patch ■  
SS316 ■

Ord Nr.: M13169

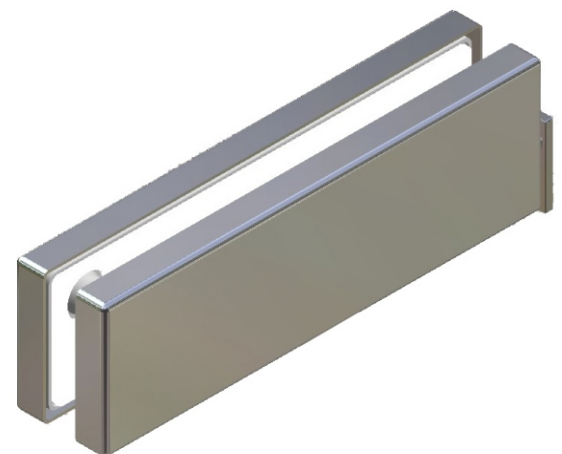
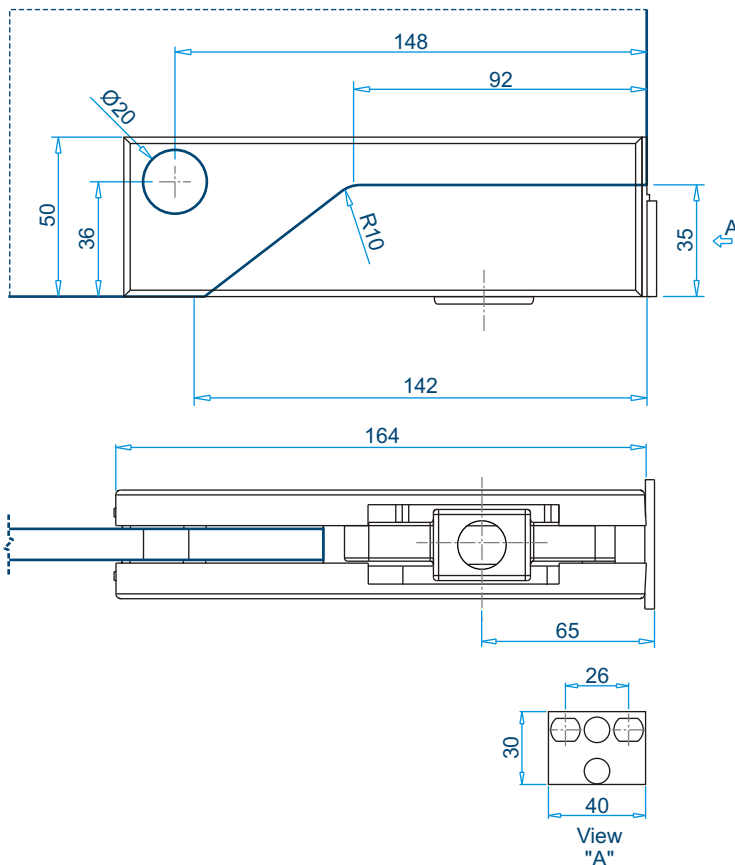


■ Optional Accessories on Page 11

### EC 300K

Wall to Glass Top Patch with Keep ■  
SS316 ■

Ord Nr.: M20062



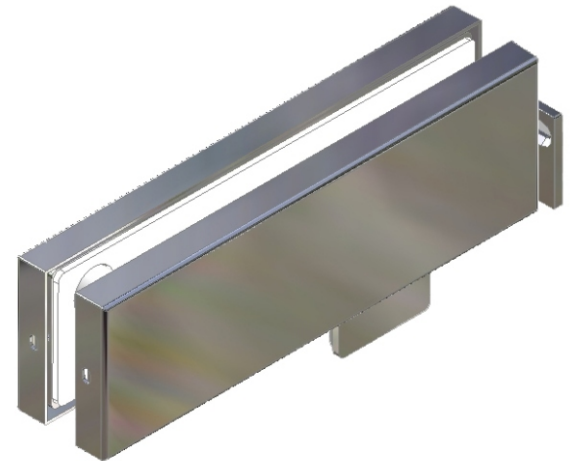
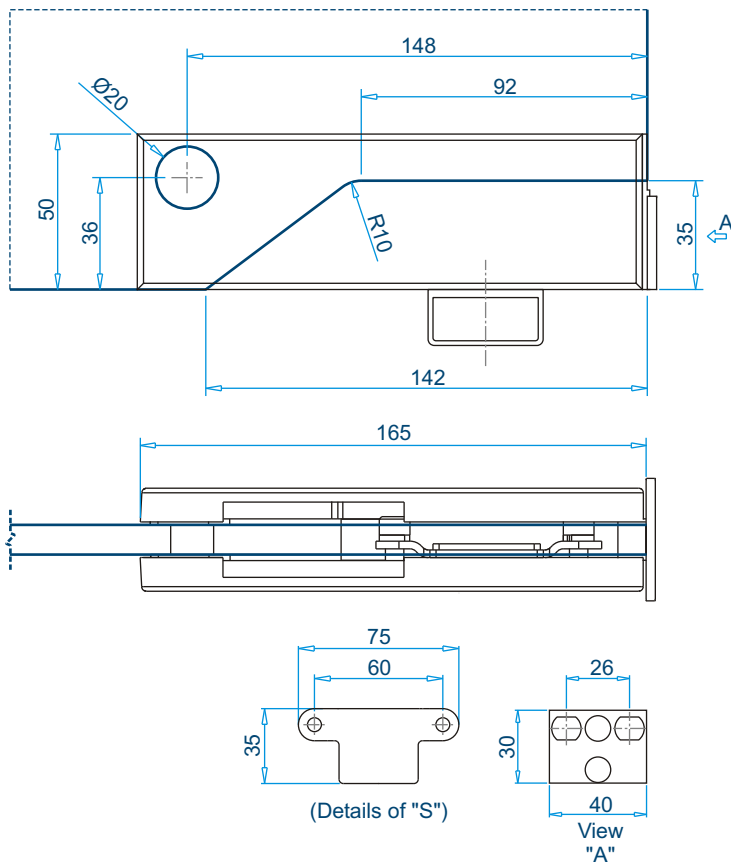
■ Optional Accessories on Page 11

### EC 300S

Wall to Glass Top Patch with Stop ■

SS316 ■

Ord Nr.: M18104



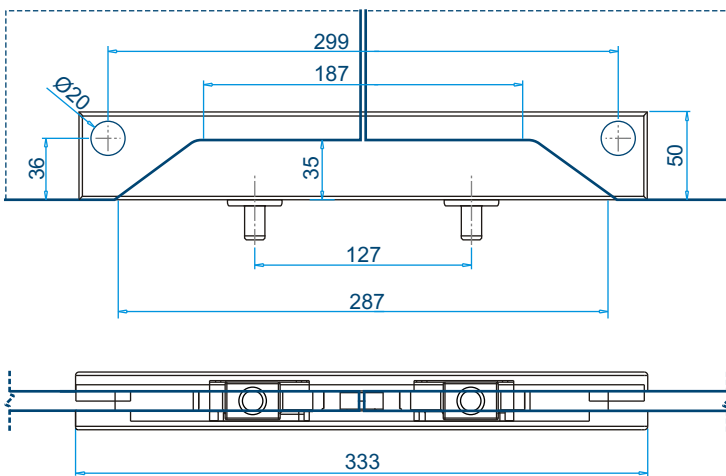
■ Optional Accessories on Page 11

### EC 320

Double Glass Top Patch ■

SS316 ■

Ord Nr.: M18183

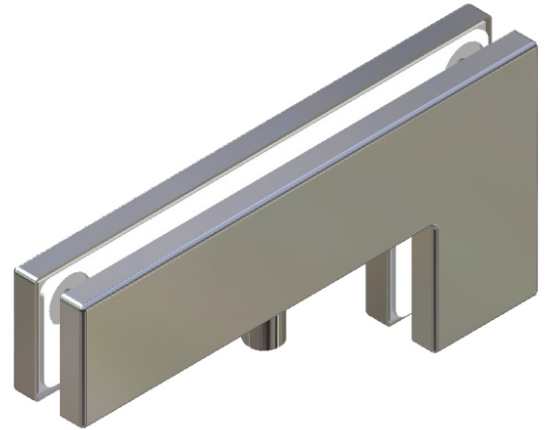
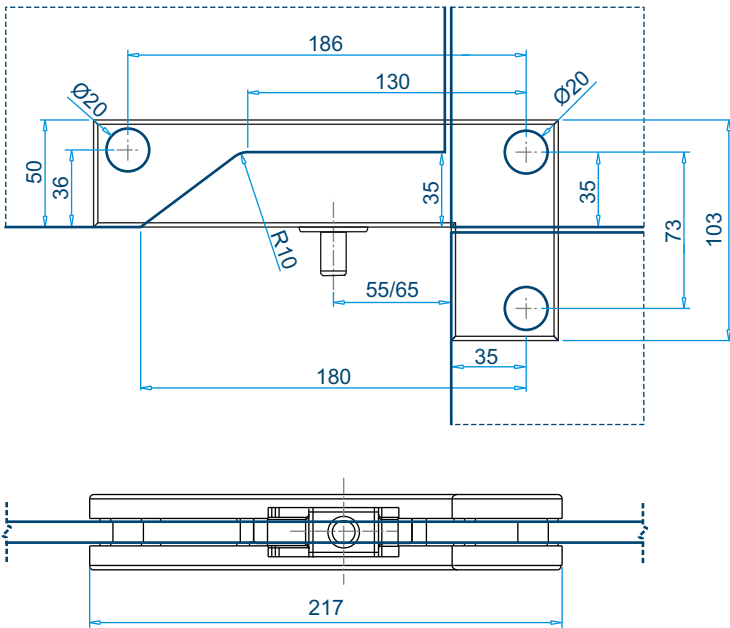


■ Optional Accessories on Page 11

### EC 400

Glass to Glass Top Patch ■  
SS316 ■

Ord Nr.: M13170

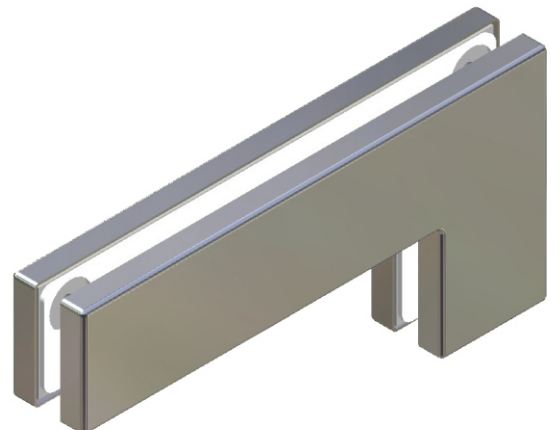
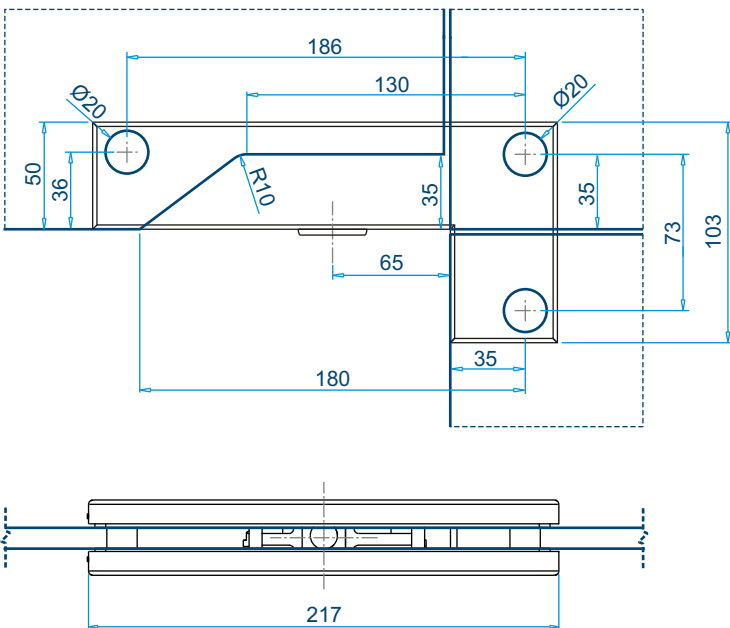


■ Optional Accessories on Page 11

### EC 400K

Glass to Glass Top Patch with Keep ■  
SS316 ■

Ord Nr.: M20063

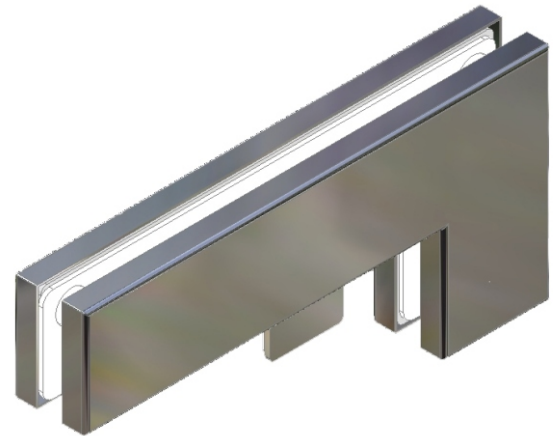
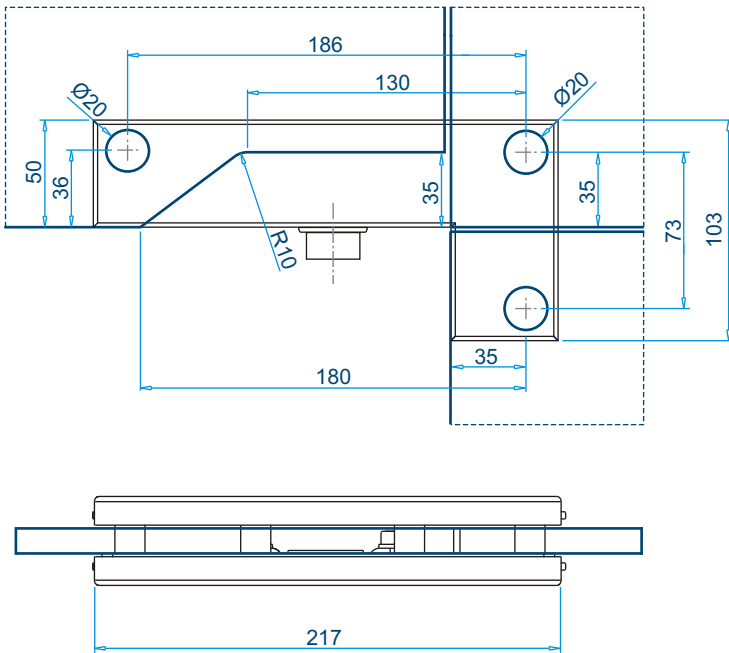


■ Optional Accessories on Page 11

### EC 400S

Glass to Glass Top Patch with Stop ■  
SS316 ■

Ord Nr.: M18103

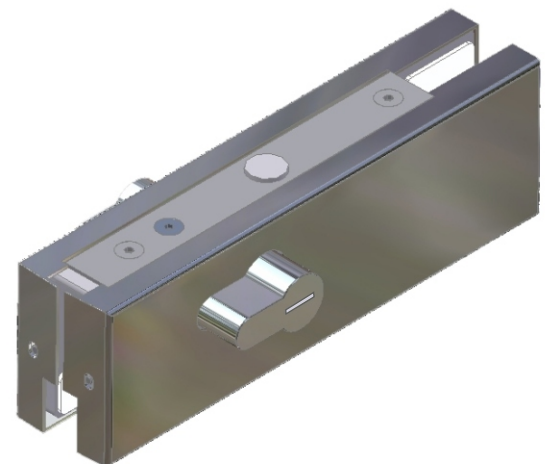
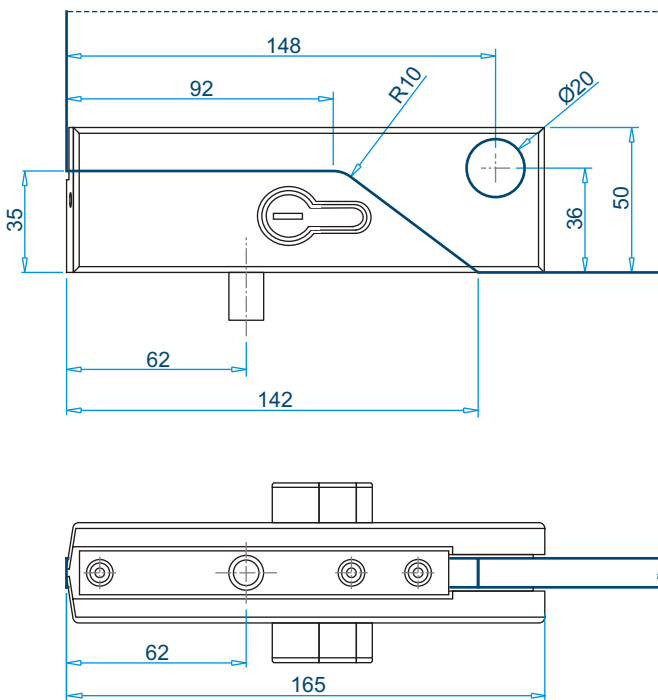


■ Optional Accessories on Page 11

### EC 710

Corner Lock without Cylinder ■  
SS316 ■

Ord Nr.: M21158



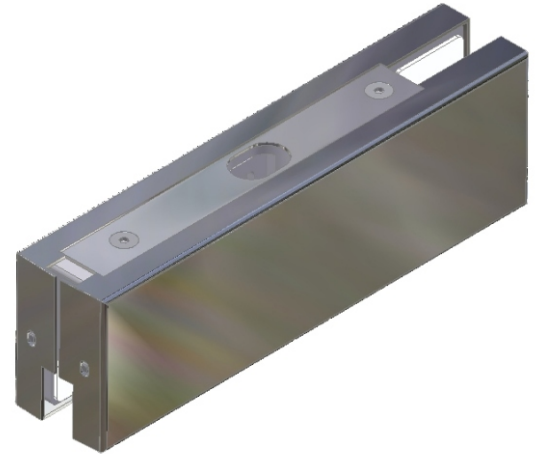
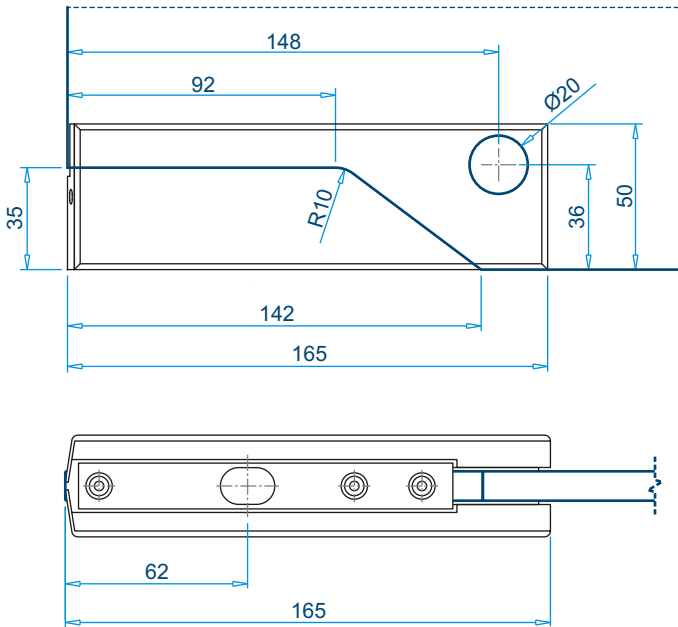
■ Optional Accessories on Page 11

## EC 711

Door Keep for Corner Lock ■

SS316 ■

Ord Nr.: M21877



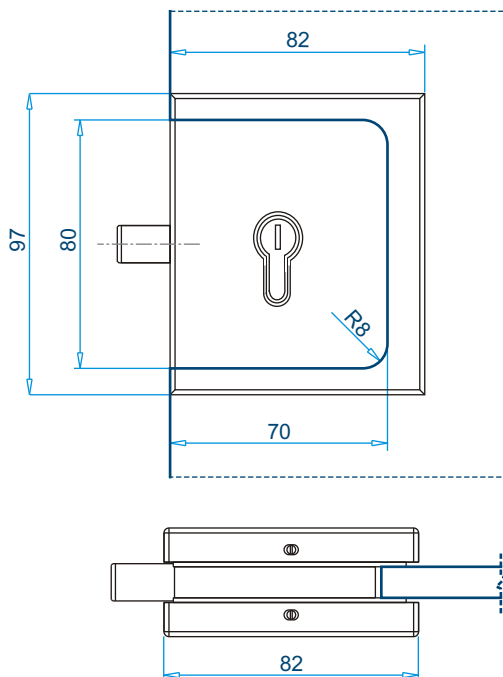
■ Optional Accessories on Page 11

## EC 740

Door Lock with Cylinder ■

SS316 ■

Ord Nr.: M14475



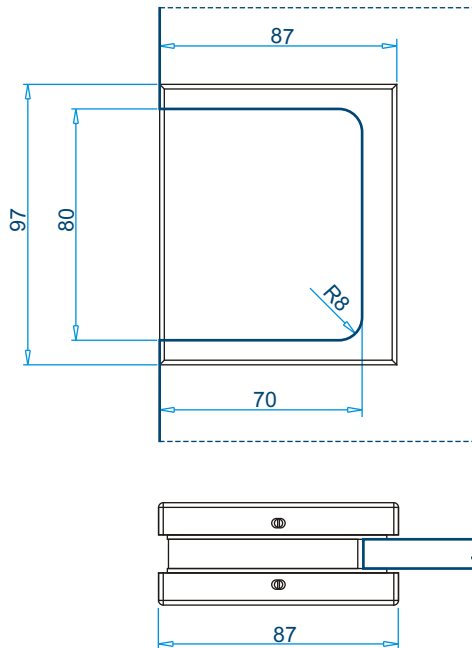
■ Optional Accessories on Page 11

## EC 741

Door Keep Lock ■

SS316 ■

Ord Nr.: M18087



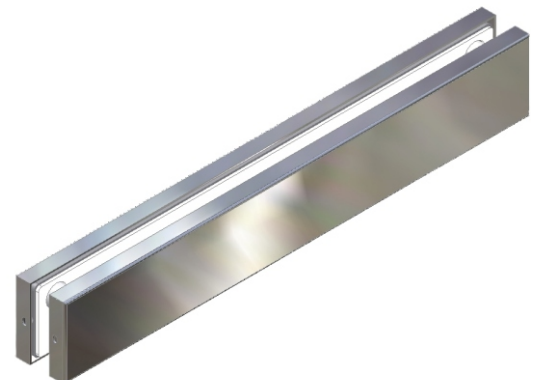
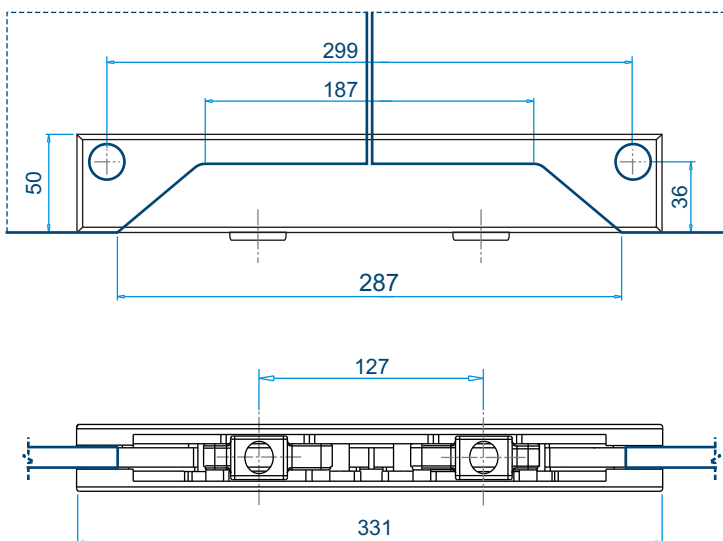
■ Optional Accessories on Page 11

## EC 800

Double Keep Lock for Double door ■

SS316 ■

Ord Nr.: M18184



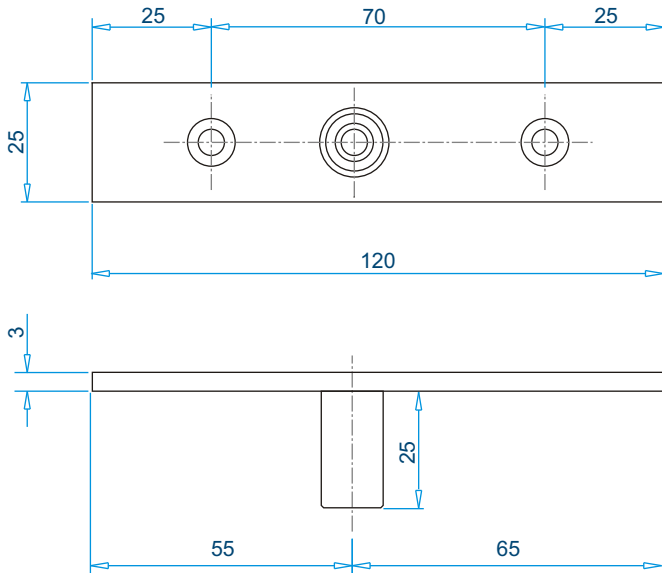
■ Optional Accessories on Page 11



### EC 810

Top Patch Ceiling Hinge ■  
SS316 ■

Ord Nr.: M18257

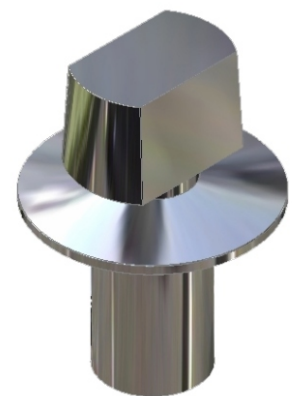
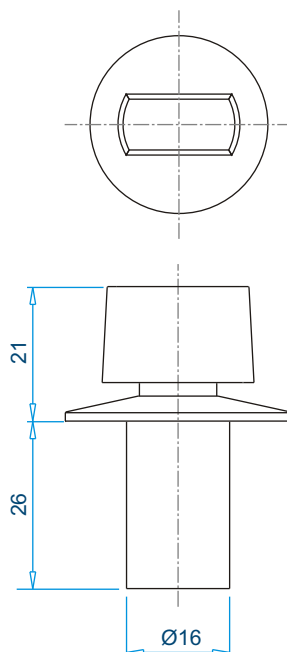


■ Optional Accessories on Page 11

### EC 820

Spindle for Bottom Patch ■  
SS316 ■

Ord Nr.: M18085

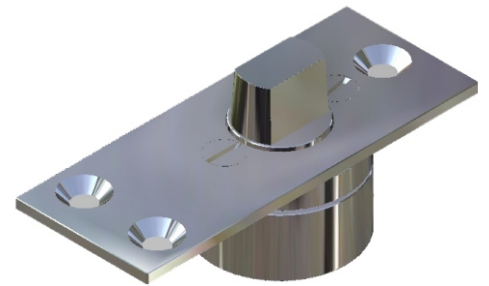
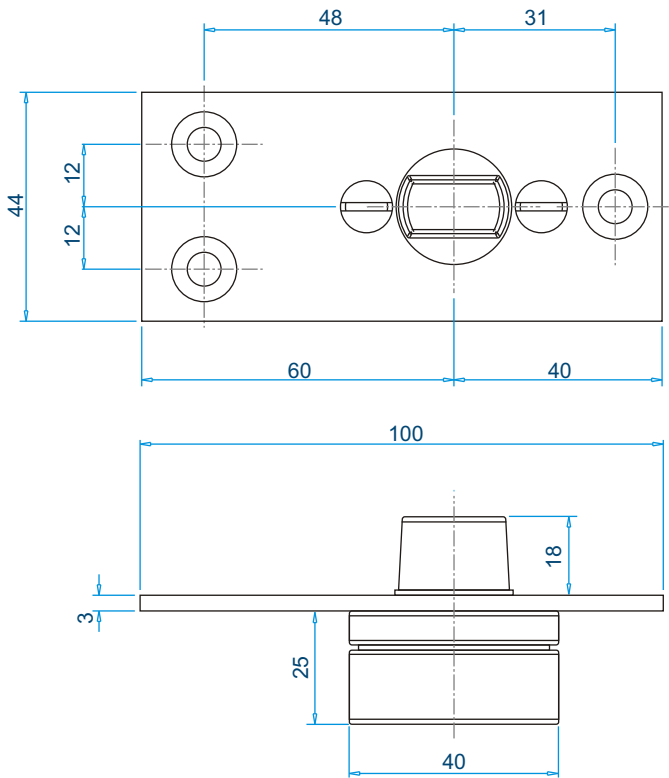


■ Optional Accessories on Page 11

### EC 830

Spindle for Bottom Patch with bearing ■  
SS316 ■

Ord Nr.: M18092

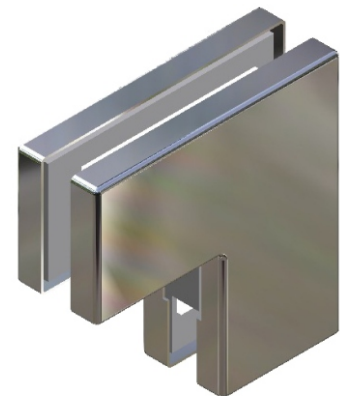
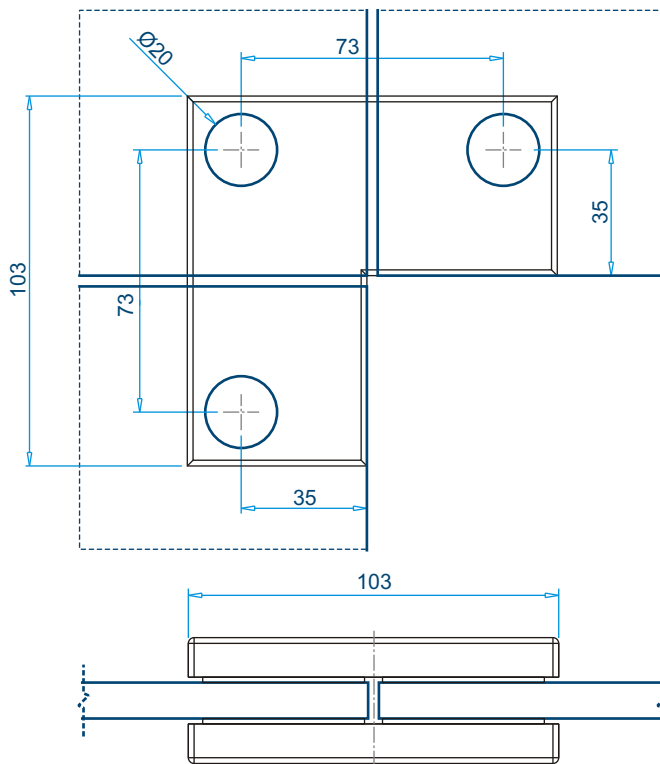


■ Optional Accessories on Page 11

### EC 840

Corner Patch ■  
SS316 ■

Ord Nr.: M13171

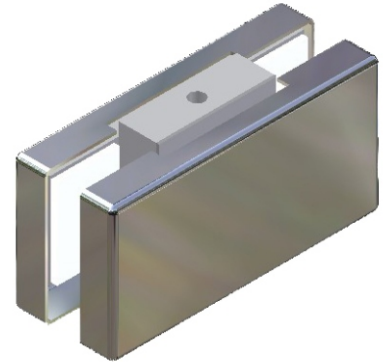
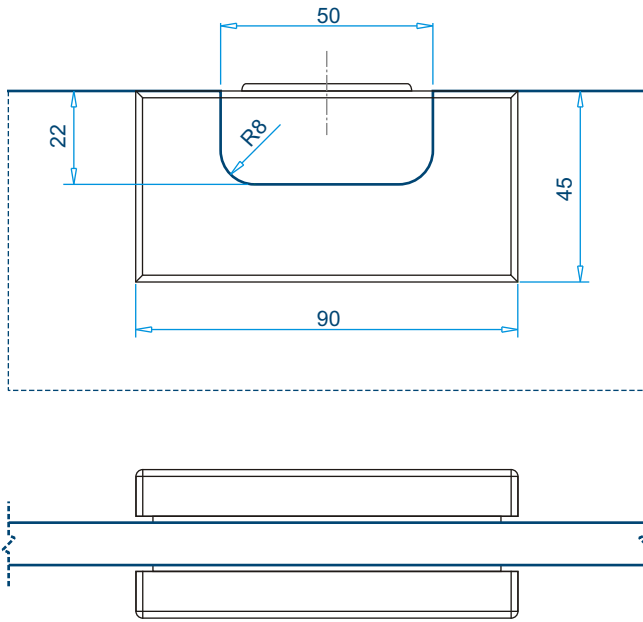


■ Optional Accessories on Page 11

## EC 850

Wall to Glass Fixing Patch ■  
SS316 ■

Ord Nr.: M15547

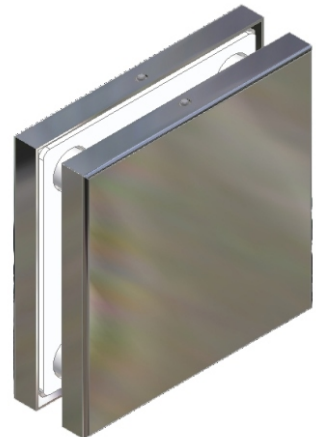
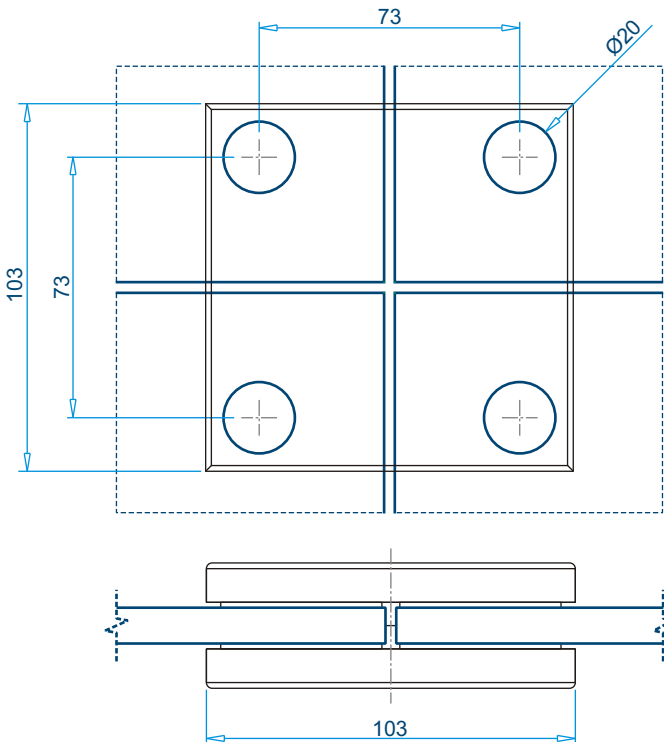


■ Optional Accessories on Page 11

## EC 860

Patch Four way ■  
SS316 ■

Ord Nr.: M18178



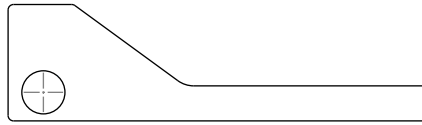
■ Optional Accessories on Page 11

SPARE PARTS

(Optional to be ordered separately)



RUBBER PACKING

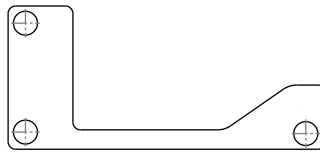


Ord Nr. M15577

Usable in : EC 100, EC 200,  
EC 300, EC 300K,  
EC 300S & EC 710

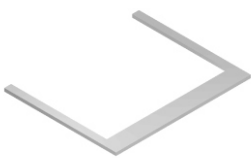


RUBBER PACKING

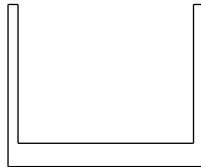


Ord Nr. M14014

Usable in : EC 400, EC 400K  
& EC 400S



RUBBER PACKING



Ord Nr. M17420

Usable in : EC 740 & EC 741



RUBBER PACKING

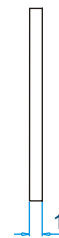
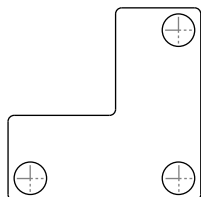


Ord Nr. M18182

Usable in : EC 320, EC 320  
& EC 800



RUBBER PACKING



Ord Nr. M14164

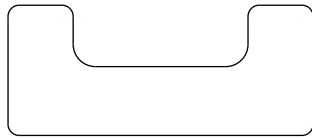
Usable in : EC 840

**SPARE PARTS**

(Optional to be ordered separately)

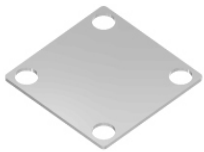


**RUBBER PACKING**

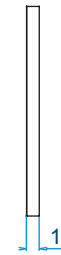
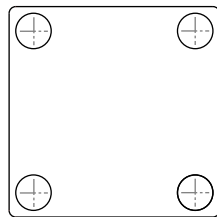


**Ord Nr. M15410**

**Usable in : EC 850**



**RUBBER PACKING**

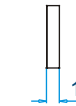
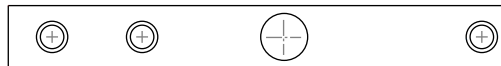


**Ord Nr. M50230**

**Usable in : EC 860**

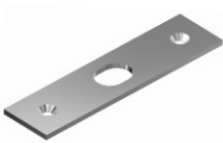


**ECA 710 SHOOT PLATE**

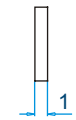
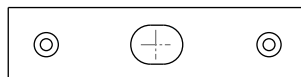


**Ord Nr. M50229**

**Usable in : EC 710**



**ECA 740 SHOOT PLATE**



**Ord Nr. M50228**

**Usable in : EC 740**

## ACCESSORIES

(Optional to be ordered separately)



**SELF SCREW M6X20**  
Ord Nr. M11887

**Usable in :** EC 710, EC 740,  
EC 810



**CSK ALLEN SCREW M6X40**  
Ord Nr. M19743

**Usable in :** EC 810 & EC 830



**FISHER ANCHOR SLM 8 55mm**  
Ord Nr. M10075

**Usable in :** EC 710 & EC 740



**FISHER ANCHOR SLM 6 45mm**  
Ord Nr. M19516

**Usable in :** EC 810 & EC 830



**SELF SCREW M4X15**  
Ord Nr. M50284

**Usable in :** EC 300, EC 300K,  
EC 300S

## TOOLS

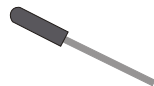


**ALLEN M4**

**Usable in :** ALL EC Range



**ALLEN M5**



**SCREW DRIVER SMALL**

**Usable in :** EC 710 & EC 740