



- Original and unique design with excellent finishes.
- Corrosion Resisted SS316.
- Machine finished from solid bars. No castings.
- All mounting situations possible.
- Special accessories.



SC-1AL



SC-1AV



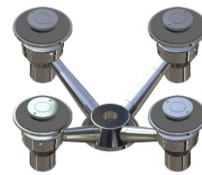
SC-2AL



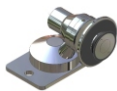
SC-2AV



SC-3A



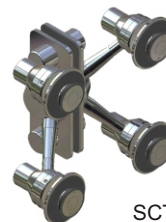
SC-4A



SCT-1A



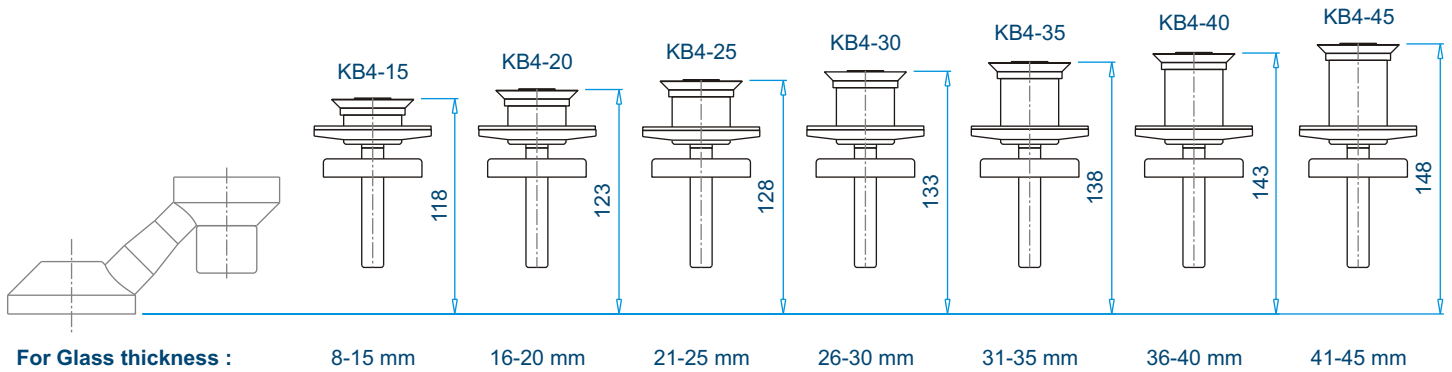
SCT-2A



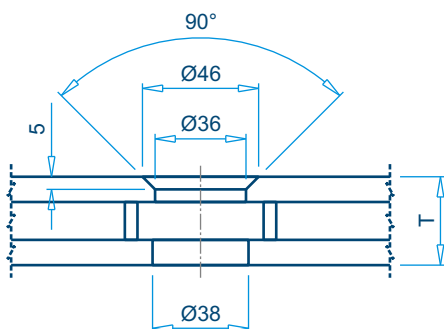
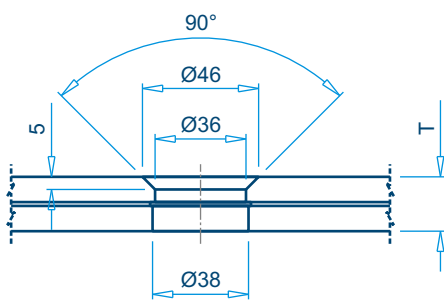
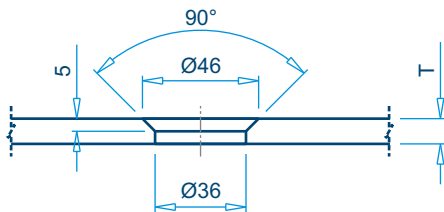
SCT-4A

## Selection of KNB KB4

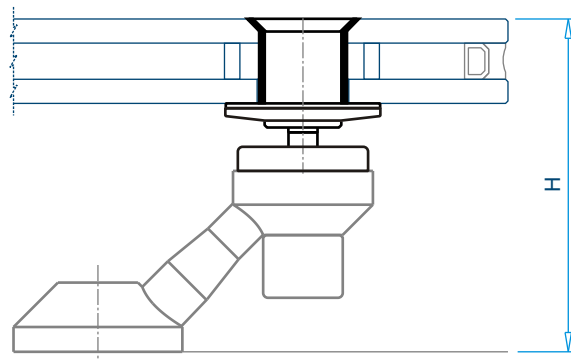
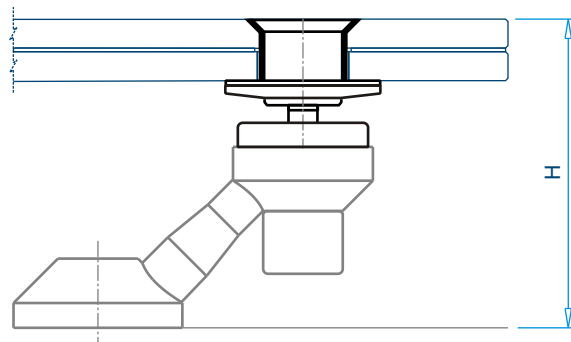
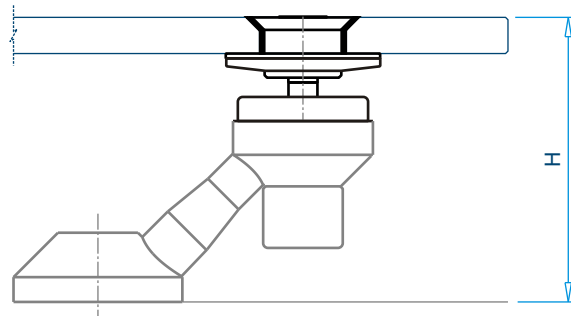
The selection of KNB is depends upon thickness and type of Glass in use.  
KNB are available in step of 5mm.



**Details of Countersunk Holes for KB4  
in Glass for Classic Spiders.**

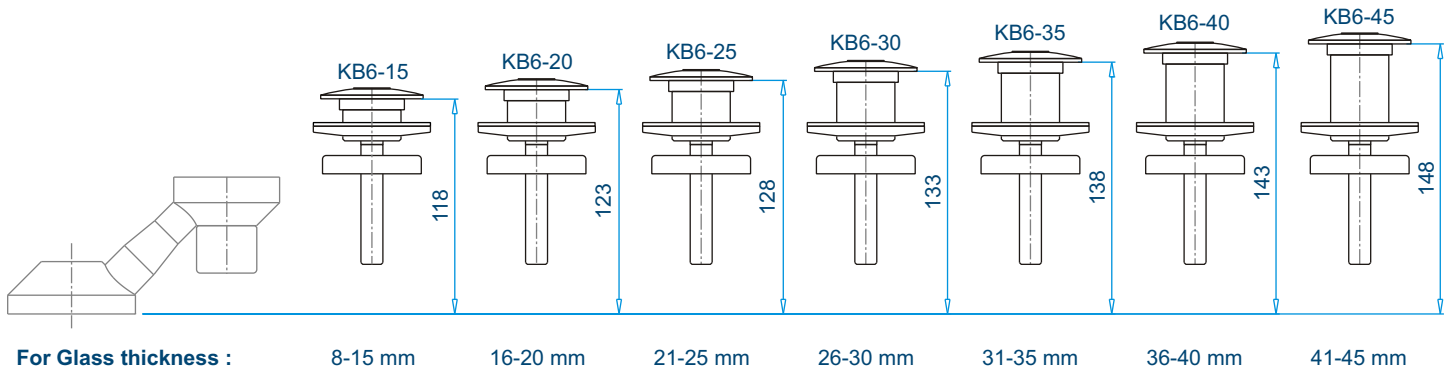


**H is dependent on KNB and KNB is dependent on Glass Thickness.  
So, H gets fixed When you select a particular KNB.  
It is till Outer Face of Glass.**



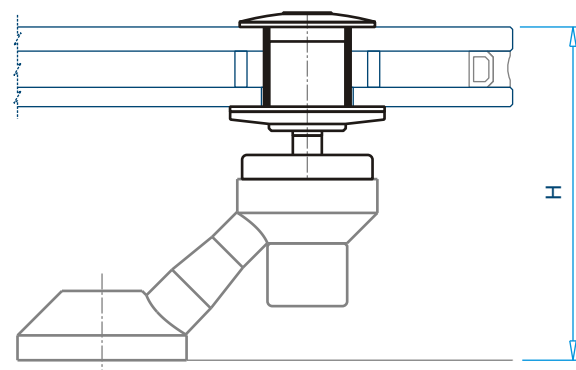
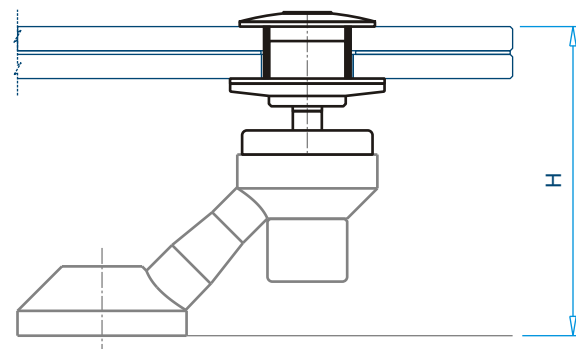
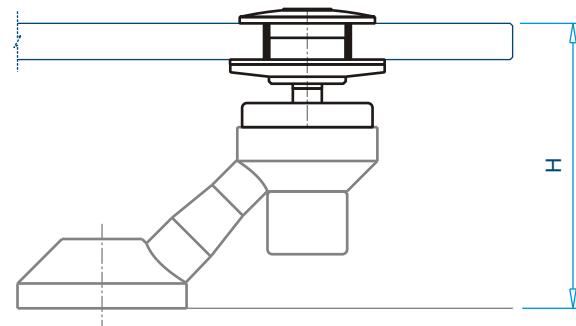
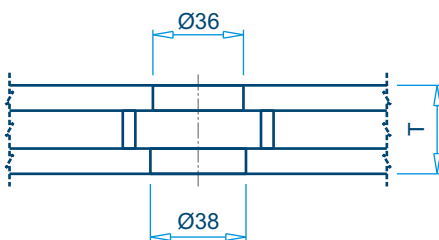
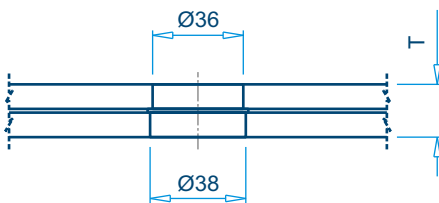
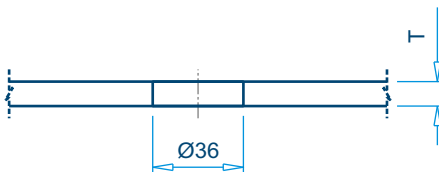
## Selection of KNB KB6

The selection of KNB is depends upon thickness and type of Glass in use.  
KNB are available in step of 5mm.



**Details of Holes for KB6 Bolts  
in Glass for Classic Spiders.**

**H is dependent on KNB and KNB is dependent on Glass Thickness.  
So, H gets fixed When you select a particular KNB.  
It is till Outer Face of Glass.**

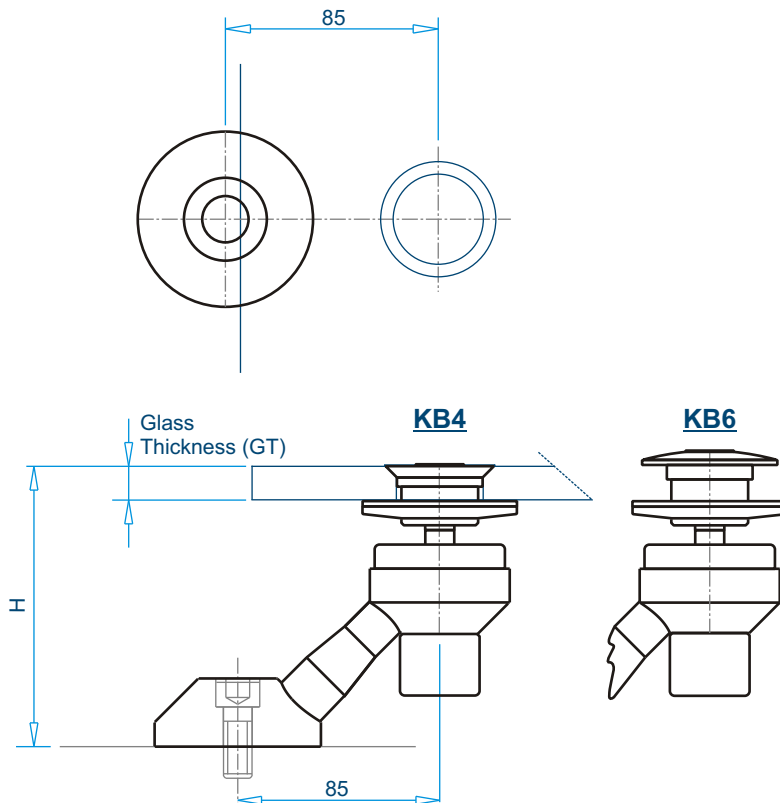


# SC-1AL

Single Arm ■

SS316 ■

Spider Ord Nr. : M26424

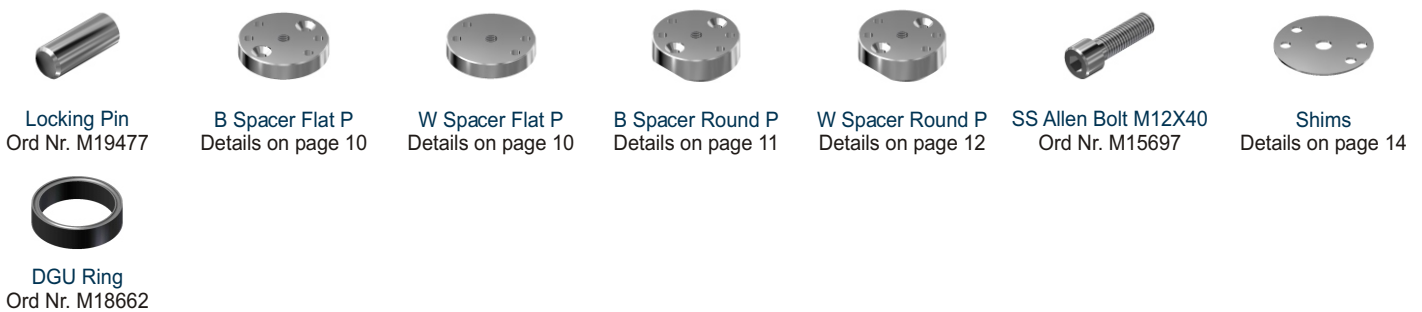


KNB Shown are not a part of the standard supply. To be ordered separately from the table below.

S.No.	Glass Thickness (GT) mm	KNB	H (mm)	Name	KNB Ord Nr. (KB4)	KNB Ord Nr. (KB6)
1	08 - 15	KB4-15/KB6-15	118	SC-1AL-KB4-15	M10090	M13209
2	16 - 20	KB4-20/KB6-20	123	SC-1AL-KB4-20	M18330	M26505
3	21 - 25	KB4-25/KB6-25	128	SC-1AL-KB4-25	M14157	M26506
4	26 - 30	KB4-30/KB6-30	133	SC-1AL-KB4-30	M26499	M26507
5	31 - 35	KB4-35/KB6-35	138	SC-1AL-KB4-35	M19873	M26508
6	36 - 40	KB4-40/KB6-40	143	SC-1AL-KB4-40	M17881	M26509
7	41 - 45	KB4-45/KB6-45	148	SC-1AL-KB4-45	M19156	M26510

Accessories to be ordered separately.

## Accessories



## Tools

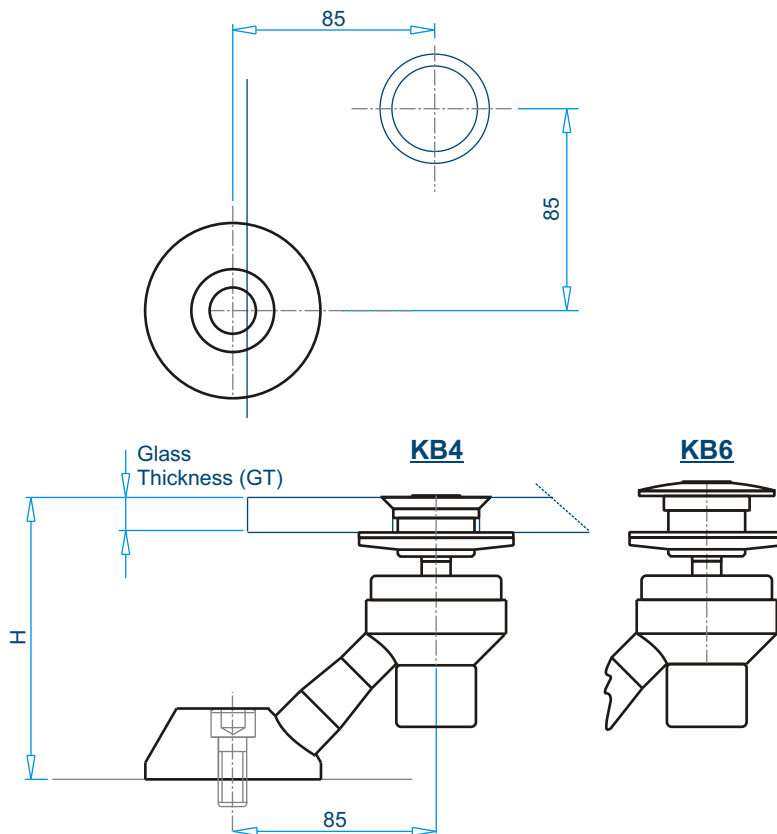


# SC-1AV

Single Arm of V length ■

SS316 ■

Spider Ord Nr. : M26432

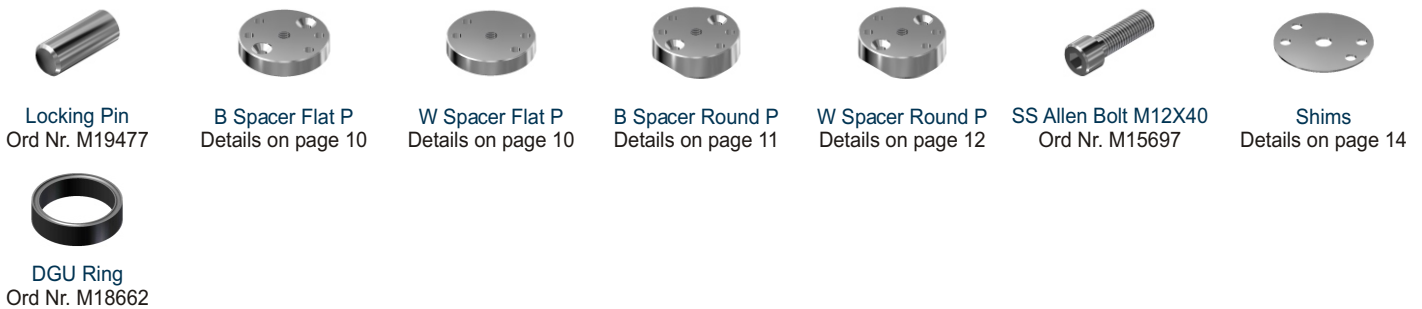


KNB Shown are not a part of the standard supply. To be ordered separately from the table below.

S.No.	Glass Thickness (GT) mm	KNB	H (mm)	Name	KNB Ord Nr. (KB4)	KNB Ord Nr. (KB6)
1	08 - 15	KB4-15/KB6-15	118	SC-1AV-KB4-15	M10090	M13209
2	16 - 20	KB4-20/KB6-20	123	SC-1AV-KB4-20	M18330	M26505
3	21 - 25	KB4-25/KB6-25	128	SC-1AV-KB4-25	M14157	M26506
4	26 - 30	KB4-30/KB6-30	133	SC-1AV-KB4-30	M26499	M26507
5	31 - 35	KB4-35/KB6-35	138	SC-1AV-KB4-35	M19873	M26508
6	36 - 40	KB4-40/KB6-40	143	SC-1AV-KB4-40	M17881	M26509
7	41 - 45	KB4-45/KB6-45	148	SC-1AV-KB4-45	M19156	M26510

Accessories to be ordered separately.

### Accessories



### Tools

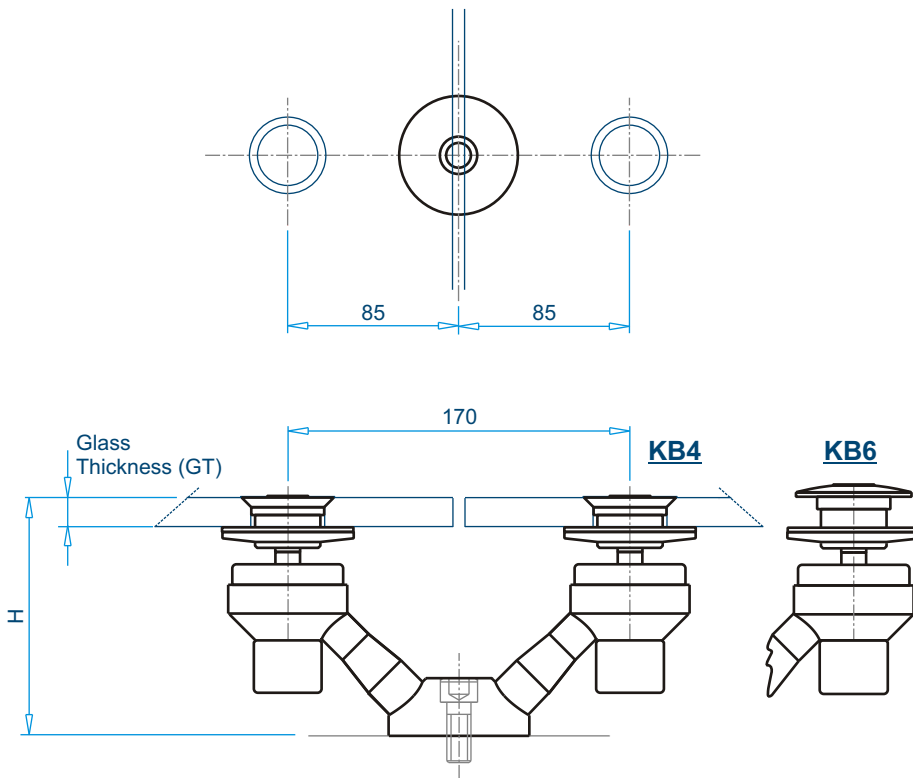


# SC-2AL

Double Arm 180° ■

SS316 ■

Spider Ord Nr. : M26440

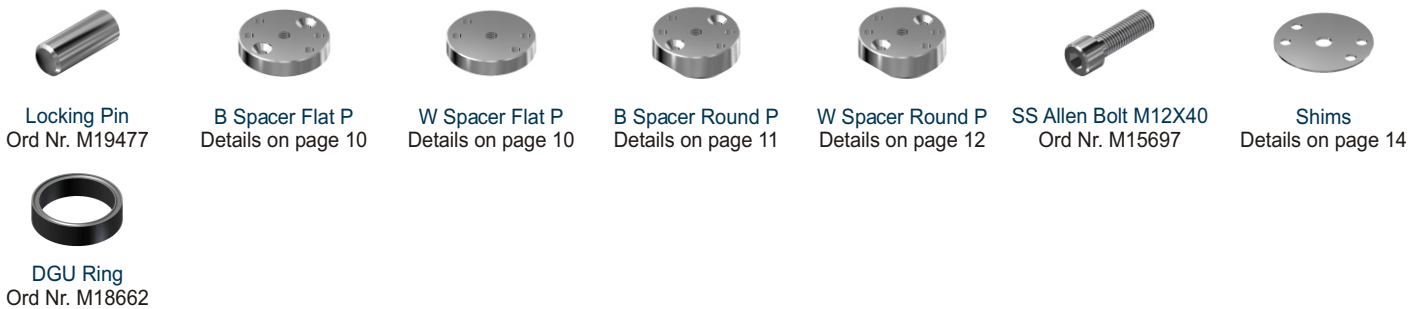


KNB Shown are not a part of the standard supply. To be ordered separately from the table below.

S.No.	Glass Thickness (GT) mm	KNB	H (mm)	Name	KNB Ord Nr. (KB4)	KNB Ord Nr. (KB6)
1	08 - 15	KB4-15/KB6-15	118	SC-2AL-KB4-15	M10090	M13209
2	16 - 20	KB4-20/KB6-20	123	SC-2AL-KB4-20	M18330	M26505
3	21 - 25	KB4-25/KB6-25	128	SC-2AL-KB4-25	M14157	M26506
4	26 - 30	KB4-30/KB6-30	133	SC-2AL-KB4-30	M26499	M26507
5	31 - 35	KB4-35/KB6-35	138	SC-2AL-KB4-35	M19873	M26508
6	36 - 40	KB4-40/KB6-40	143	SC-2AL-KB4-40	M17881	M26509
7	41 - 45	KB4-45/KB6-45	148	SC-2AL-KB4-45	M19156	M26510

Accessories to be ordered separately.

### Accessories



### Tools

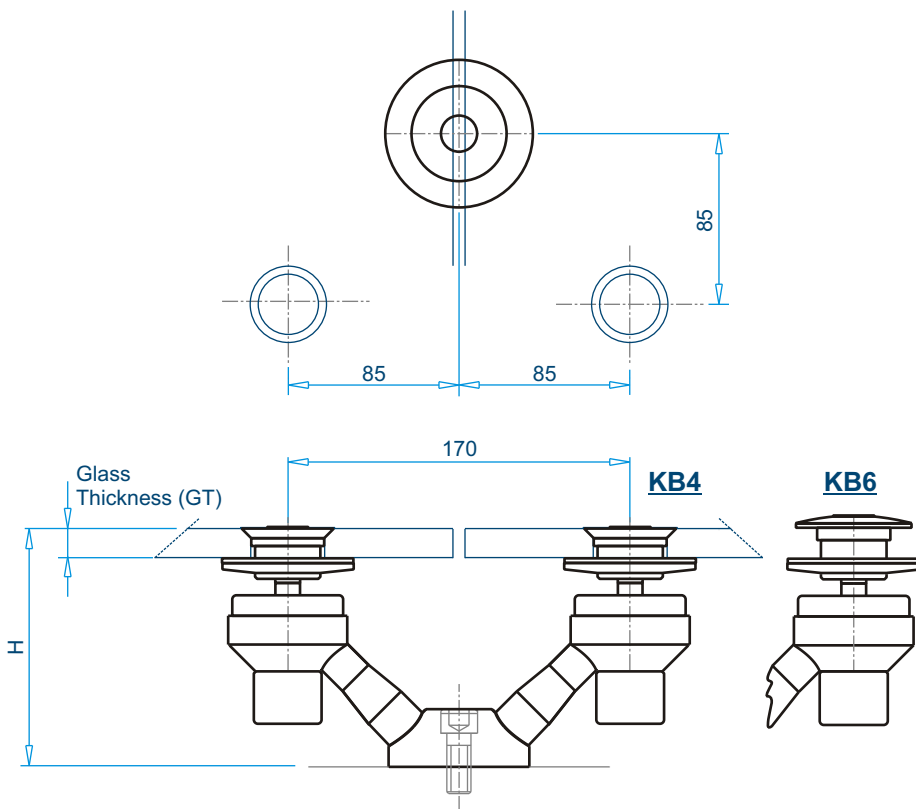


# SC-2AV

Double Arm 90° ■

SS316 ■

Spider Ord Nr. : M26448

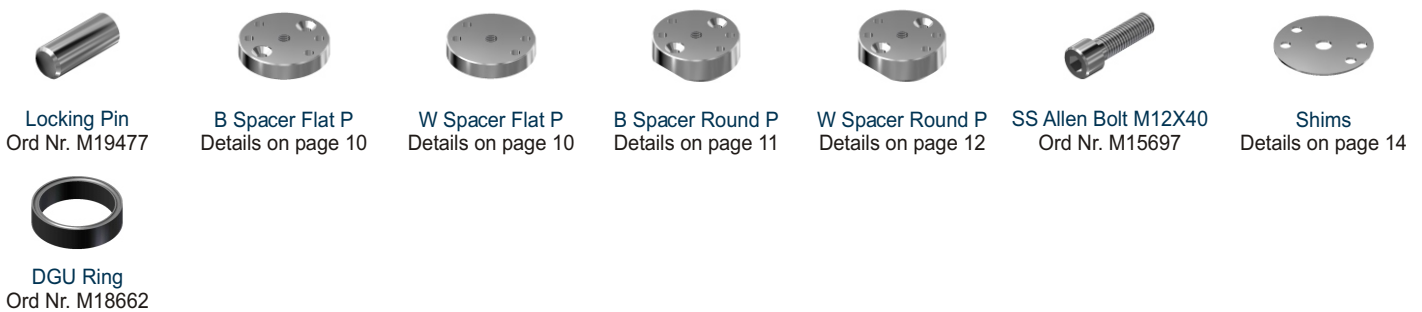


**KNB Shown are not a part of the standard supply. To be ordered separately from the table below.**

S.No.	Glass Thickness (GT) mm	KNB	H (mm)	Name	KNB Ord Nr. (KB4)	KNB Ord Nr. (KB6)
1	08 - 15	KB4-15/KB6-15	118	SC-2AV-KB4-15	M10090	M13209
2	16 - 20	KB4-20/KB6-20	123	SC-2AV-KB4-20	M18330	M26505
3	21 - 25	KB4-25/KB6-25	128	SC-2AV-KB4-25	M14157	M26506
4	26 - 30	KB4-30/KB6-30	133	SC-2AV-KB4-30	M26499	M26507
5	31 - 35	KB4-35/KB6-35	138	SC-2AV-KB4-35	M19873	M26508
6	36 - 40	KB4-40/KB6-40	143	SC-2AV-KB4-40	M17881	M26509
7	41 - 45	KB4-45/KB6-45	148	SC-2AV-KB4-45	M19156	M26510

Accessories to be ordered separately.

### Accessories



### Tools

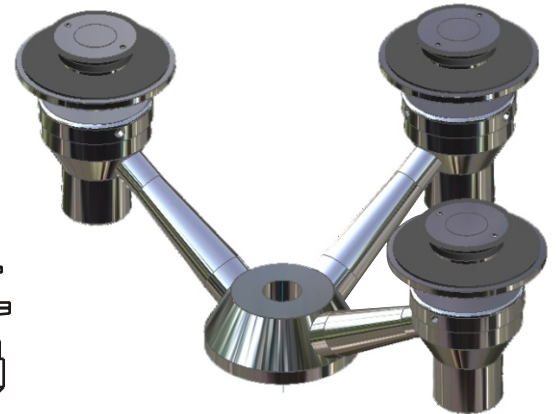
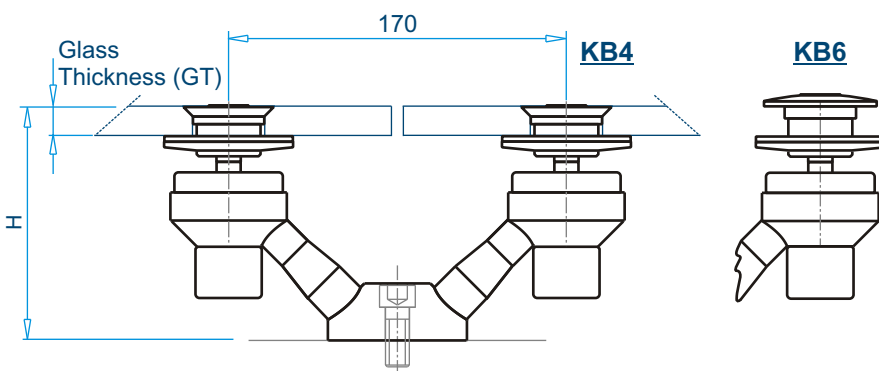
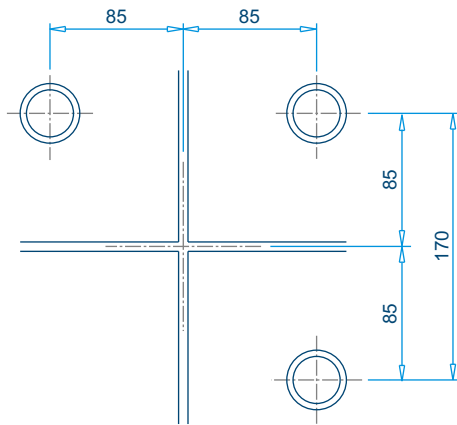


# SC-3A

Three Arms ■

SS316 ■

Spider Ord Nr. : M26456

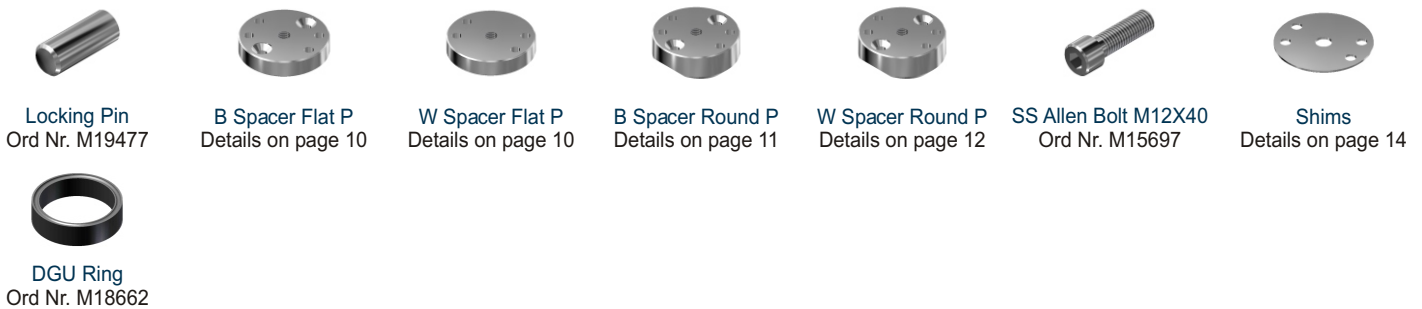


KNB Shown are not a part of the standard supply. To be ordered separately from the table below.

S.No.	Glass Thickness (GT) mm	KNB	H (mm)	Name	KNB Ord Nr. (KB4)	KNB Ord Nr. (KB6)
1	08 - 15	KB4-15/KB6-15	118	SC-3A-KB4-15	M10090	M13209
2	16 - 20	KB4-20/KB6-20	123	SC-3A-KB4-20	M18330	M26505
3	21 - 25	KB4-25/KB6-25	128	SC-3A-KB4-25	M14157	M26506
4	26 - 30	KB4-30/KB6-30	133	SC-3A-KB4-30	M26499	M26507
5	31 - 35	KB4-35/KB6-35	138	SC-3A-KB4-35	M19873	M26508
6	36 - 40	KB4-40/KB6-40	143	SC-3A-KB4-40	M17881	M26509
7	41 - 45	KB4-45/KB6-45	148	SC-3A-KB4-45	M19156	M26510

Accessories to be ordered separately.

### Accessories



### Tools



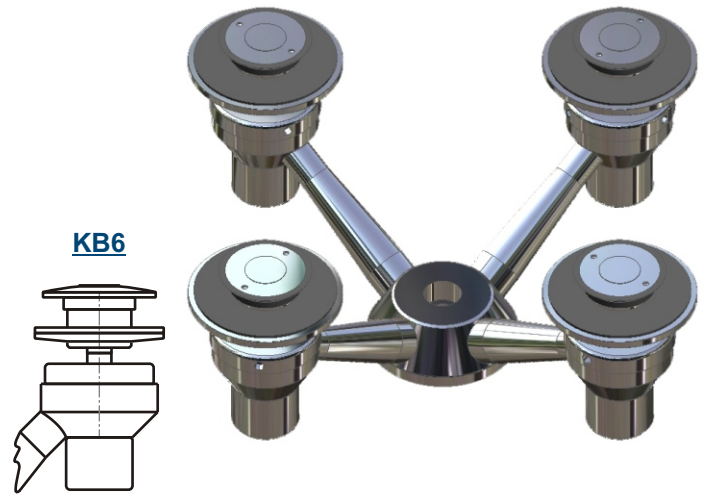
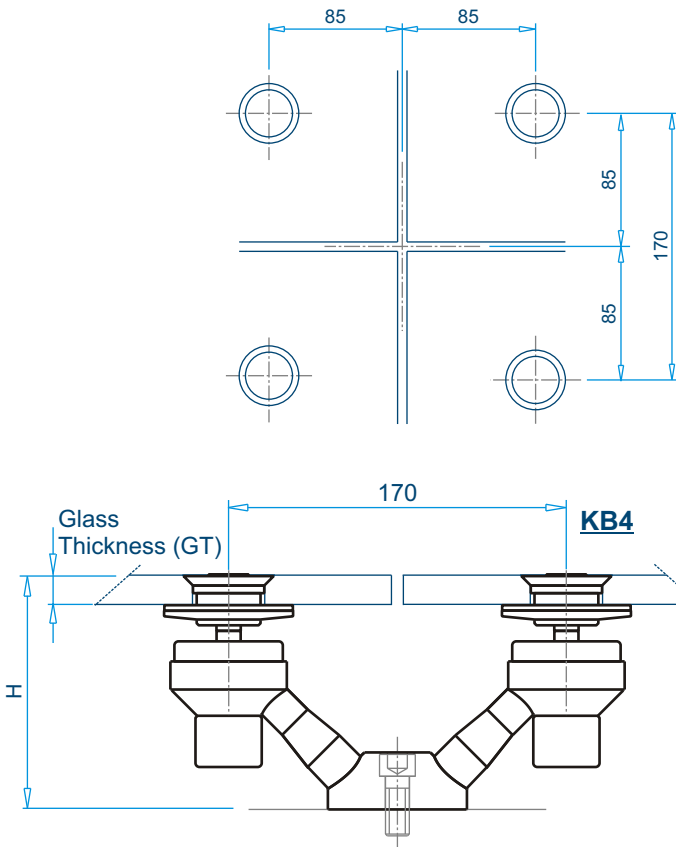


# SC-4A

Four Arms ■

SS316 ■

Spider Ord Nr. : M26464

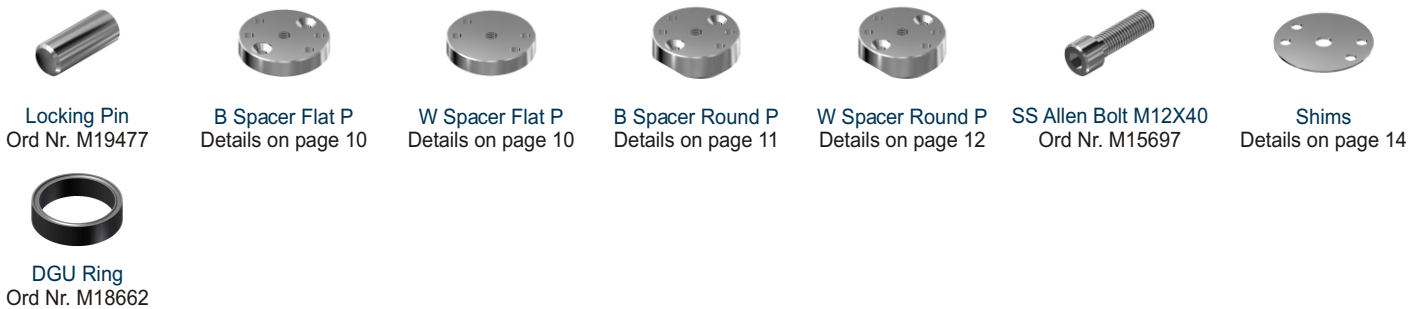


KNB Shown are not a part of the standard supply. To be ordered separately from the table below.

S.No.	Glass Thickness (GT) mm	KNB	H (mm)	Name	KNB Ord Nr. (KB4)	KNB Ord Nr. (KB6)
1	08 - 15	KB4-15/KB6-15	118	SC-4A-KB4-15	M10090	M13209
2	16 - 20	KB4-20/KB6-20	123	SC-4A-KB4-20	M18330	M26505
3	21 - 25	KB4-25/KB6-25	128	SC-4A-KB4-25	M14157	M26506
4	26 - 30	KB4-30/KB6-30	133	SC-4A-KB4-30	M26499	M26507
5	31 - 35	KB4-35/KB6-35	138	SC-4A-KB4-35	M19873	M26508
6	36 - 40	KB4-40/KB6-40	143	SC-4A-KB4-40	M17881	M26509
7	41 - 45	KB4-45/KB6-45	148	SC-4A-KB4-45	M19156	M26510

Accessories to be ordered separately.

### Accessories



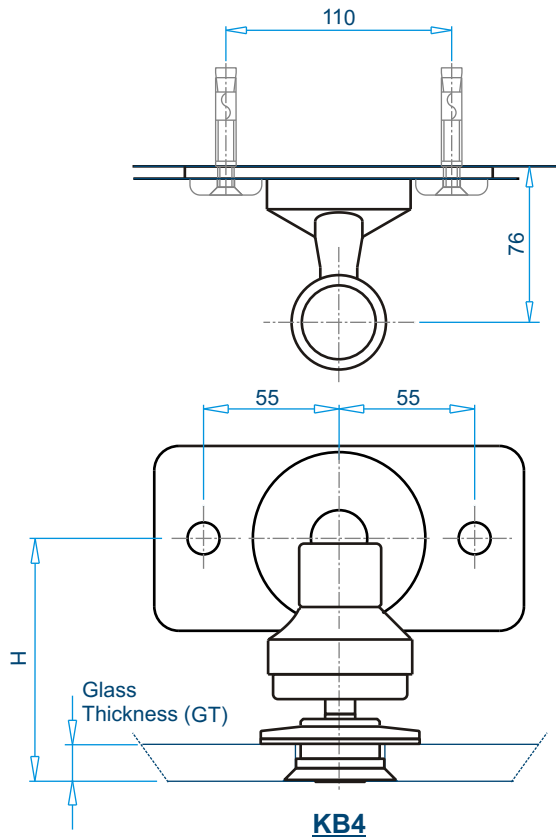
### Tools



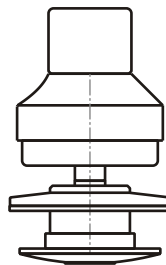
# SCT-1A

Single arm wall to glass ■  
SS316 ■

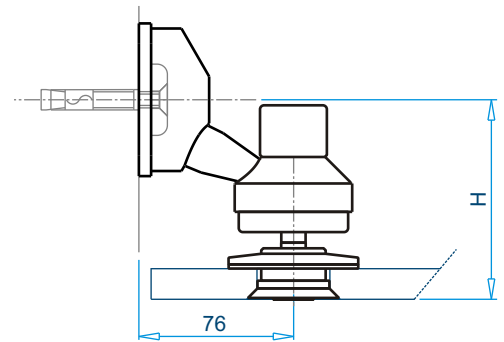
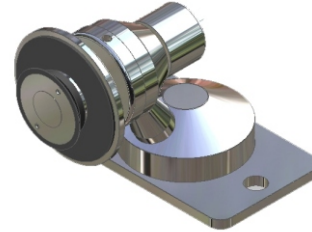
Spider Ord Nr. : M26472



**KB4**



**KB6**

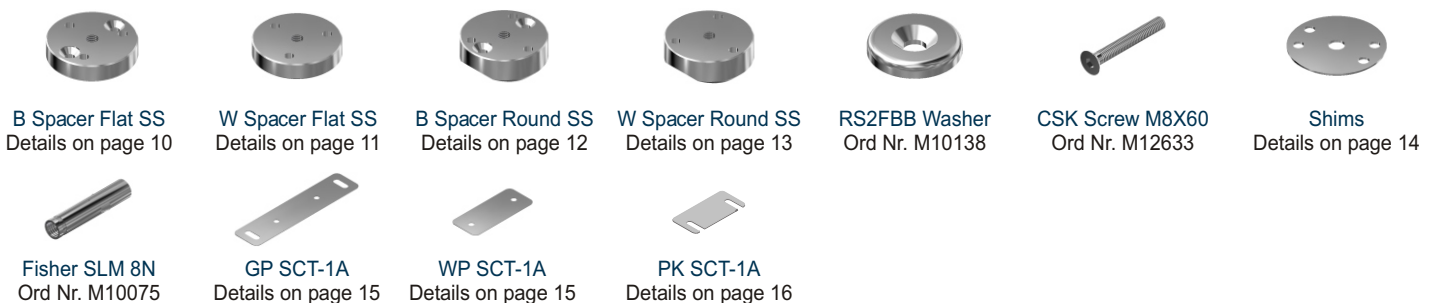


KNB Shown are not a part of the standard supply. To be ordered separately from the table below.

S.No.	Glass Thickness (GT) mm	KNB	H (mm)	Name	KNB Ord Nr. (KB4)	KNB Ord Nr. (KB6)
1	08 - 15	KB4-15/KB6-15	98	SCT-1A-KB4-15	M10090	M13209
2	16 - 20	KB4-20/KB6-20	103	SCT-1A-KB4-20	M18330	M26505
3	21 - 25	KB4-25/KB6-25	108	SCT-1A-KB4-25	M14157	M26506
4	26 - 30	KB4-30/KB6-30	113	SCT-1A-KB4-30	M26499	M26507
5	31 - 35	KB4-35/KB6-35	118	SCT-1A-KB4-35	M19873	M26508
6	36 - 40	KB4-40/KB6-40	123	SCT-1A-KB4-40	M17881	M26509
7	41 - 45	KB4-45/KB6-45	128	SCT-1A-KB4-45	M19156	M26510

Accessories to be ordered separately.

### Accessories



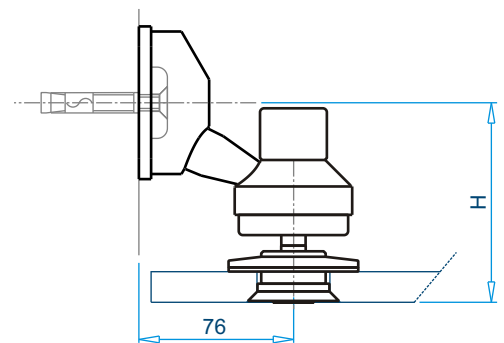
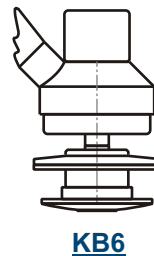
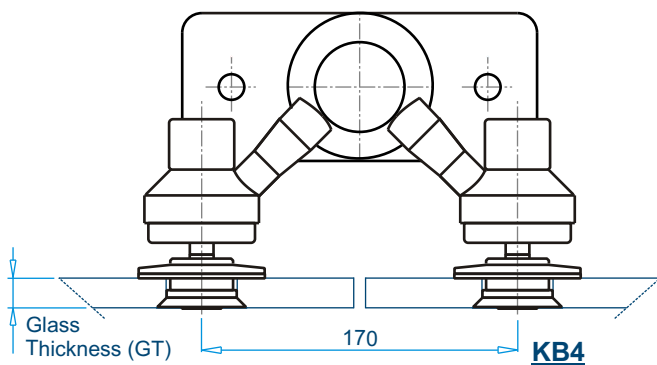
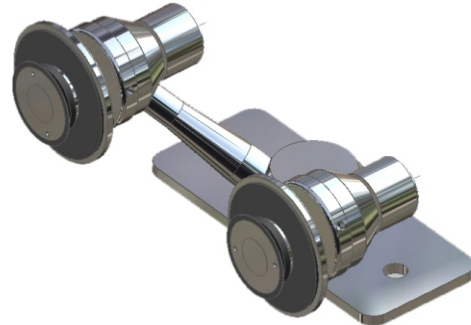
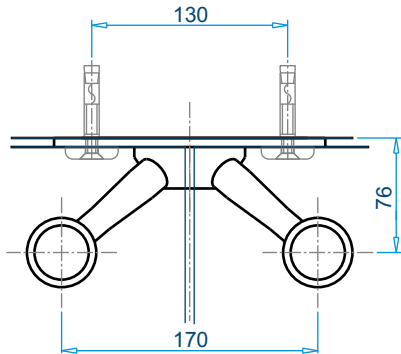
### Tools



# SCT-2A

Double arm wall to glass ■  
SS316 ■

Spider Ord Nr. : M26480



KNB Shown are not a part of the standard supply. To be ordered separately from the table below.

S.No.	Glass Thickness (GT) mm	KNB	H (mm)	Name	KNB Ord Nr. (KB4)	KNB Ord Nr. (KB6)
1	08 - 15	KB4-15/KB6-15	112	SCT-2A-KB4-15	M10090	M13209
2	16 - 20	KB4-20/KB6-20	117	SCT-2A-KB4-20	M18330	M26505
3	21 - 25	KB4-25/KB6-25	122	SCT-2A-KB4-25	M14157	M26506
4	26 - 30	KB4-30/KB6-30	127	SCT-2A-KB4-30	M26499	M26507
5	31 - 35	KB4-35/KB6-35	132	SCT-2A-KB4-35	M19873	M26508
6	36 - 40	KB4-40/KB6-40	137	SCT-2A-KB4-40	M17881	M26509
7	41 - 45	KB4-45/KB6-45	142	SCT-2A-KB4-45	M19156	M26510

Accessories to be ordered separately.

### Accessories



### Tools

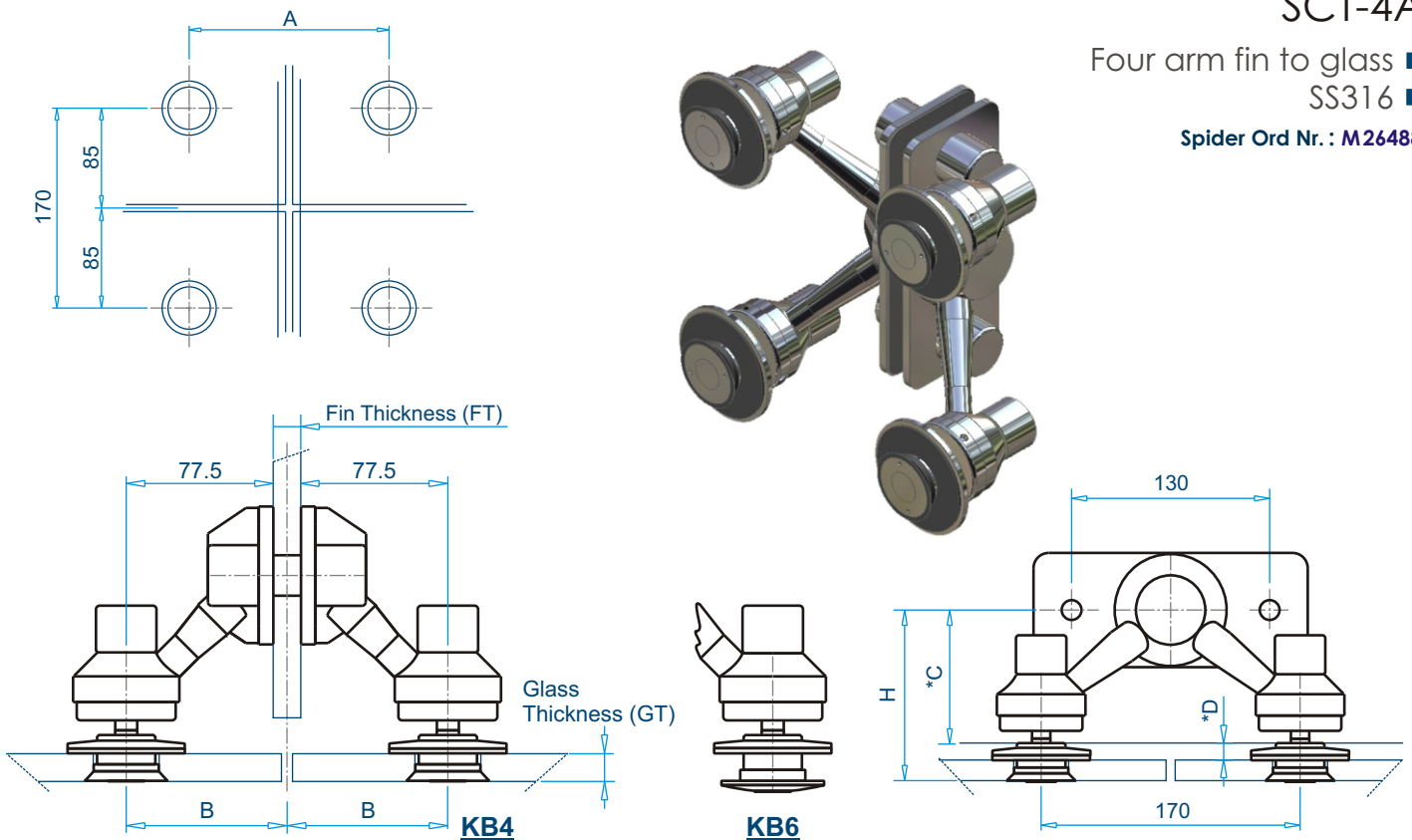


# SCT-4A

Four arm fin to glass ■

SS316 ■

Spider Ord Nr. : M26488



KNB Shown are not a part of the standard supply. To be ordered separately from the table below.

S.No.	Glass Thickness (GT) mm	KNB	H (mm)	Name	KNB Ord Nr. (KB4)	KNB Ord Nr. (KB6)	Hole Distance (mm)			
							S.No.	Fin Thick (FT)	A	B
1	08 - 15	KB4-15/KB6-15	112	SCT-4A-KB4-15	M10090	M13209	1	12	167	83.5
2	16 - 20	KB4-20/KB6-20	117	SCT-4A-KB4-20	M18330	M26505	2	15	170	85.0
3	21 - 25	KB4-25/KB6-25	122	SCT-4A-KB4-25	M14157	M26506	3	19	174	87.0
4	26 - 30	KB4-30/KB6-30	127	SCT-4A-KB4-30	M26499	M26507	4	26	181	90.5
5	31 - 35	KB4-35/KB6-35	132	SCT-4A-KB4-35	M19873	M26508	5	32	187	93.5
6	36 - 40	KB4-40/KB6-40	137	SCT-4A-KB4-40	M17881	M26509				
7	41 - 45	KB4-45/KB6-45	142	SCT-4A-KB4-45	M19156	M26510				

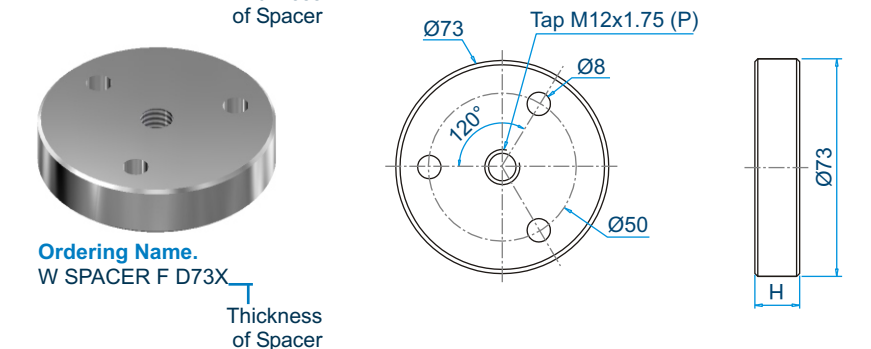
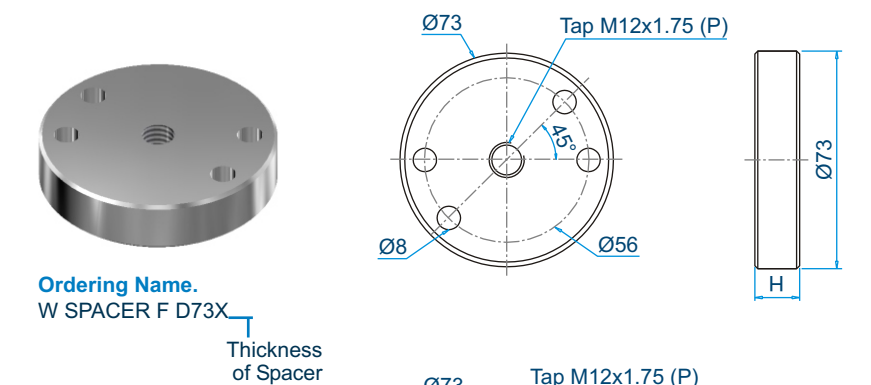
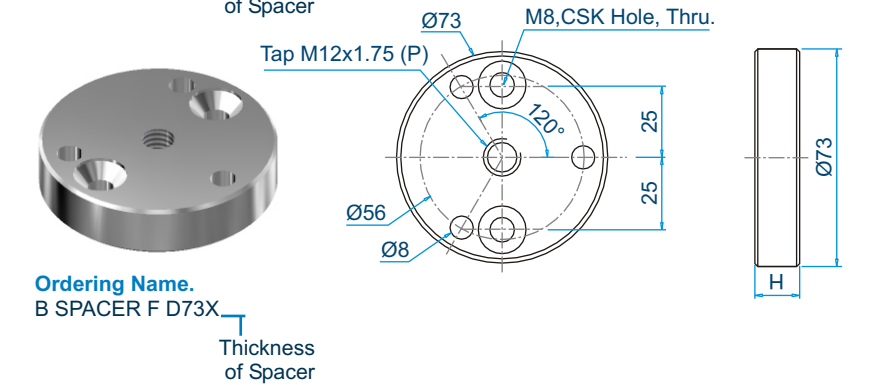
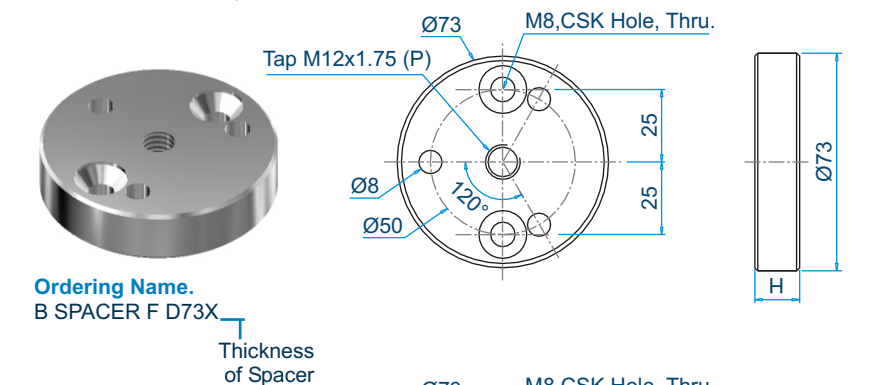
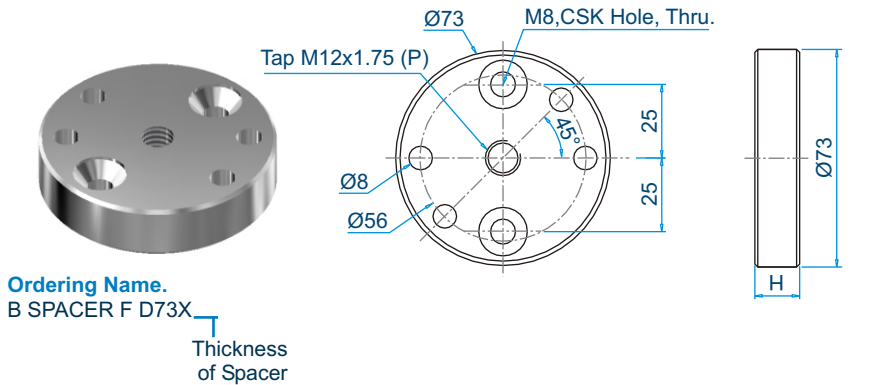
\*C=H-GT-D, \*C>2XFT+11mm, \*D=Gap between Glass and Fin.

### Accessories

### Tools



# ACCESSORIES



S.No.	Name	Thick (T) mm	Ord Nr.
1	B Spacer F D73X10(P)	10	M50049
2	B Spacer F D73X12(P)	12	M50050
3	B Spacer F D73X15(P)	15	M50051
4	B Spacer F D73X20(P)	20	M50052
5	Other on Request	--	----

Usable in : SC-1AL, SC-1AV, SC-2AL, SC-2AV, SC-3A, SC-4A.

S.No.	Name	Thick (T) mm	Ord Nr.
1	B Spacer F D73X10(DS)	10	M50053
2	B Spacer F D73X12(DS)	12	M50054
3	B Spacer F D73X15(DS)	15	M50055
4	B Spacer F D73X20(DS)	20	M50056
5	Other on Request	--	----

Usable in : SCT-2A.

S.No.	Name	Thick (T) mm	Ord Nr.
1	B Spacer F D73X10(SS)	10	M50057
2	B Spacer F D73X12(SS)	12	M50058
3	B Spacer F D73X15(SS)	15	M50059
4	B Spacer F D73X20(SS)	20	M50060
5	Other on Request	--	----

Usable in : SCT-1A

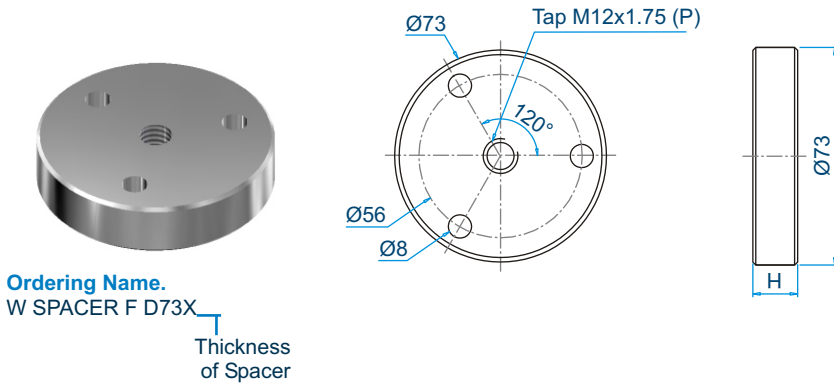
S.No.	Name	Thick (T) mm	Ord Nr.
1	W Spacer F D73X10(P)	10	M50061
2	W Spacer F D73X12(P)	12	M50062
3	W Spacer F D73X15(P)	15	M50063
4	W Spacer F D73X20(P)	20	M50064
5	Other on Request	--	----

Usable in : SC-1AL, SC-1AV, SC-2AL, SC-2AV, SC-3A, SC-4A.

S.No.	Name	Thick (T) mm	Ord Nr.
1	W Spacer F D73X10(DS)	10	M50065
2	W Spacer F D73X12(DS)	12	M50066
3	W Spacer F D73X15(DS)	15	M50067
4	W Spacer F D73X20(DS)	20	M50068
5	Other on Request	--	----

Usable in : SCT-2A.

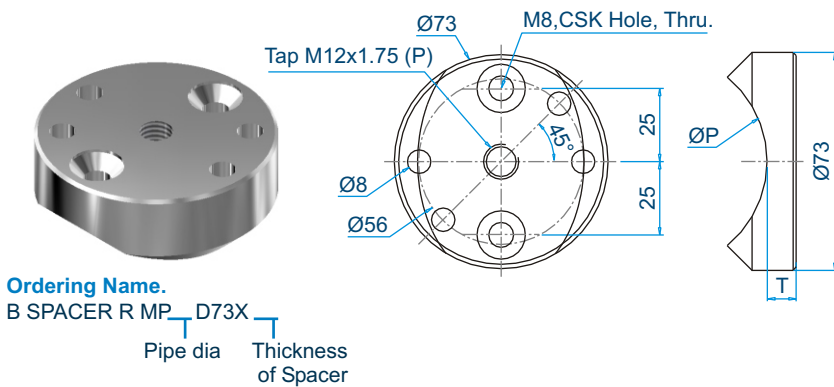
# ACCESSORIES



**Ordering Name.**  
W SPACER F D73X  
Thickness of Spacer

S.No.	Name	Thick (T) mm	Ord Nr.
1	W Spacer F D73X10(SS)	10	M50069
2	W Spacer F D73X12(SS)	12	M50070
3	W Spacer F D73X15(SS)	15	M50071
4	W Spacer F D73X20(SS)	20	M50072
5	Other on Request	--	----

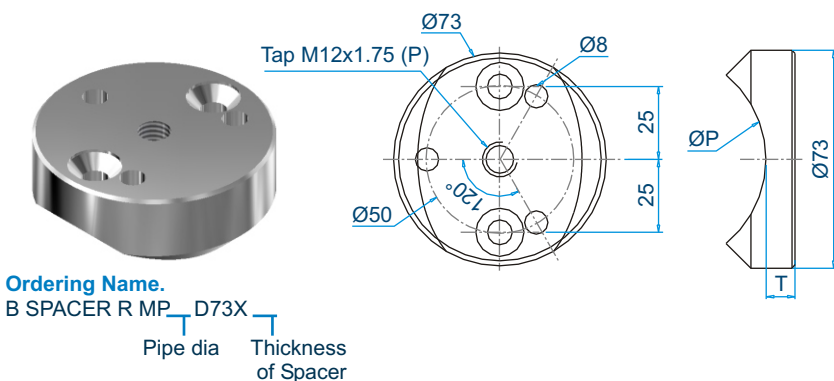
Usable in : SCT-1A



**Ordering Name.**  
B SPACER R MP D73X  
Pipe dia Thickness of Spacer

Usable in : SC-1AL, SC-1AV, SC-2AL, SC-2AV, SC-3A, SC-4A.

Pipe ØP (mm)	Thickness (T)			
	10	12	15	20
73	<b>Name</b> B Spacer R M73 D73X10(P) <b>Ord Nr.</b> M50073	<b>Name</b> B Spacer R M73 D73X12(P) <b>Ord Nr.</b> M50074	<b>Name</b> B Spacer R M73 D73X15(P) <b>Ord Nr.</b> M50075	<b>Name</b> B Spacer R M73 D73X20(P) <b>Ord Nr.</b> M50076
89	<b>Name</b> B Spacer R M89 D73X10(P) <b>Ord Nr.</b> M50077	<b>Name</b> B Spacer R M89 D73X12(P) <b>Ord Nr.</b> M50078	<b>Name</b> B Spacer R M89 D73X15(P) <b>Ord Nr.</b> M50079	<b>Name</b> B Spacer R M89 D73X20(P) <b>Ord Nr.</b> M50080
102	<b>Name</b> B Spacer R M102 D73X10(P) <b>Ord Nr.</b> M50081	<b>Name</b> B Spacer R M102 D73X12(P) <b>Ord Nr.</b> M50082	<b>Name</b> B Spacer R M102 D73X15(P) <b>Ord Nr.</b> M50083	<b>Name</b> B Spacer R M102 D73X20(P) <b>Ord Nr.</b> M50084
114	<b>Name</b> B Spacer R M114 D73X10(P) <b>Ord Nr.</b> M50085	<b>Name</b> B Spacer R M114 D73X12(P) <b>Ord Nr.</b> M50086	<b>Name</b> B Spacer R M114 D73X15(P) <b>Ord Nr.</b> M50087	<b>Name</b> B Spacer R M114 D73X20(P) <b>Ord Nr.</b> M50088
152	<b>Name</b> B Spacer R M152 D73X10(P) <b>Ord Nr.</b> M50089	<b>Name</b> B Spacer R M152 D73X12(P) <b>Ord Nr.</b> M50090	<b>Name</b> B Spacer R M152 D73X15(P) <b>Ord Nr.</b> M50091	<b>Name</b> B Spacer R M152 D73X20(P) <b>Ord Nr.</b> M50092

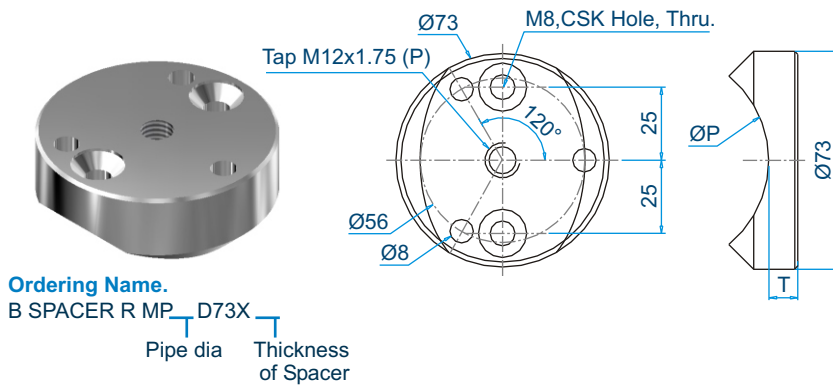


**Ordering Name.**  
B SPACER R MP D73X  
Pipe dia Thickness of Spacer

Usable in : SCT-2 A.

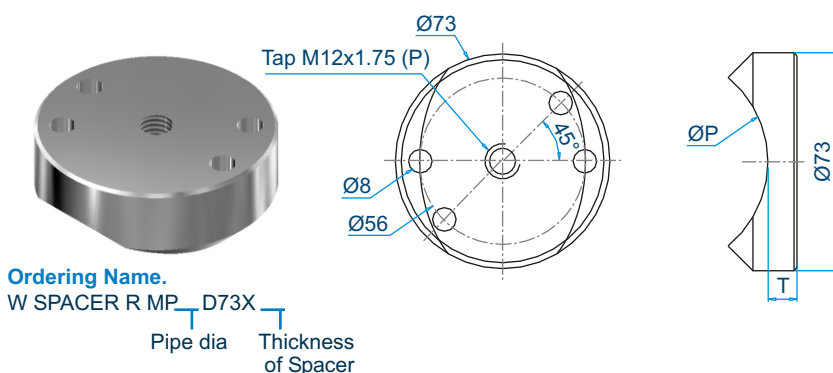
## ACCESSORIES

Pipe ØP (mm)	Thickness (T)			
	10	12	15	20
73	<b>Name</b> B Spacer R M73 D73X10(DS) <b>Ord Nr.</b> M50093	B Spacer R M73 D73X12(DS) M50094	B Spacer R M73 D73X15(DS) M50095	B Spacer R M73 D73X20(DS) M50096
89	<b>Name</b> B Spacer R M89 D73X10(DS) <b>Ord Nr.</b> M50097	B Spacer R M89 D73X12(DS) M50098	B Spacer R M89 D73X15(DS) M50099	B Spacer R M89 D73X20(DS) M50100
102	<b>Name</b> B Spacer R M102 D73X10(DS) <b>Ord Nr.</b> M50101	B Spacer R M102 D73X12(DS) M50102	B Spacer R M102 D73X15(DS) M50103	B Spacer R M102 D73X20(DS) M50104
114	<b>Name</b> B Spacer R M114 D73X10(DS) <b>Ord Nr.</b> M50105	B Spacer R M114 D73X12(DS) M50106	B Spacer R M114 D73X15(DS) M50107	B Spacer R M114 D73X20(DS) M50108
152	<b>Name</b> B Spacer R M152 D73X10(DS) <b>Ord Nr.</b> M50109	B Spacer R M152 D73X12(DS) M50110	B Spacer R M152 D73X15(DS) M50111	B Spacer R M152 D73X20(DS) M50112



Usable in : SCT-1 A.

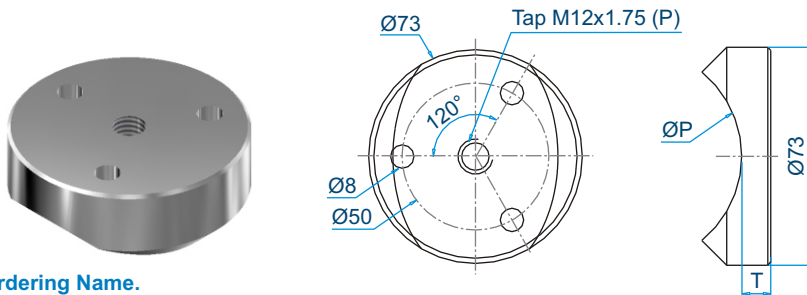
Pipe ØP (mm)	Thickness (T)			
	10	12	15	20
73	<b>Name</b> B Spacer R M73 D73X10(SS) <b>Ord Nr.</b> M50113	B Spacer R M73 D73X12(SS) M50114	B Spacer R M73 D73X15(SS) M50115	B Spacer R M73 D73X20(SS) M50116
89	<b>Name</b> B Spacer R M89 D73X10(SS) <b>Ord Nr.</b> M50117	B Spacer R M89 D73X12(SS) M50118	B Spacer R M89 D73X15(SS) M50119	B Spacer R M89 D73X20(SS) M50120
102	<b>Name</b> B Spacer R M102 D73X10(SS) <b>Ord Nr.</b> M50121	B Spacer R M102 D73X12(SS) M50122	B Spacer R M102 D73X15(SS) M50123	B Spacer R M102 D73X20(SS) M50124
114	<b>Name</b> B Spacer R M114 D73X10(SS) <b>Ord Nr.</b> M50125	B Spacer R M114 D73X12(SS) M50126	B Spacer R M114 D73X15(SS) M50127	B Spacer R M114 D73X20(SS) M50128
152	<b>Name</b> B Spacer R M152 D73X10(SS) <b>Ord Nr.</b> M50129	B Spacer R M152 D73X12(SS) M50130	B Spacer R M152 D73X15(SS) M50131	B Spacer R M152 D73X20(SS) M50132



Usable in : SC-1AL, SC-1AV, SC-2AL, SC-2AV, SC-3A, SC-4A.

## ACCESSORIES

Pipe ØP (mm)	Thickness (T)			
	10	12	15	20
73	<b>Name</b> W Spacer R M73 D73X10(P) <b>Ord Nr.</b> M50133	<b>Name</b> W Spacer R M73 D73X12(P) <b>Ord Nr.</b> M50134	<b>Name</b> W Spacer R M73 D73X15(P) <b>Ord Nr.</b> M50135	<b>Name</b> W Spacer R M73 D73X20(P) <b>Ord Nr.</b> M50136
89	<b>Name</b> W Spacer R M89 D73X10(P) <b>Ord Nr.</b> M50137	<b>Name</b> W Spacer R M89 D73X12(P) <b>Ord Nr.</b> M50138	<b>Name</b> W Spacer R M89 D73X15(P) <b>Ord Nr.</b> M50139	<b>Name</b> W Spacer R M89 D73X20(P) <b>Ord Nr.</b> M50140
102	<b>Name</b> W Spacer R M102 D73X10(P) <b>Ord Nr.</b> M50141	<b>Name</b> W Spacer R M102 D73X12(P) <b>Ord Nr.</b> M50142	<b>Name</b> W Spacer R M102 D73X15(P) <b>Ord Nr.</b> M50143	<b>Name</b> W Spacer R M102 D73X20(P) <b>Ord Nr.</b> M50144
114	<b>Name</b> W Spacer R M114 D73X10(P) <b>Ord Nr.</b> M50145	<b>Name</b> W Spacer R M114 D73X12(SP) <b>Ord Nr.</b> M50146	<b>Name</b> W Spacer R M114 D73X15(P) <b>Ord Nr.</b> M50147	<b>Name</b> W Spacer R M114 D73X20(P) <b>Ord Nr.</b> M50148
152	<b>Name</b> W Spacer R M152 D73X10(P) <b>Ord Nr.</b> M50149	<b>Name</b> W Spacer R M152 D73X12(P) <b>Ord Nr.</b> M50150	<b>Name</b> W Spacer R M152 D73X15(P) <b>Ord Nr.</b> M50151	<b>Name</b> W Spacer R M152 D73X20(P) <b>Ord Nr.</b> M50152

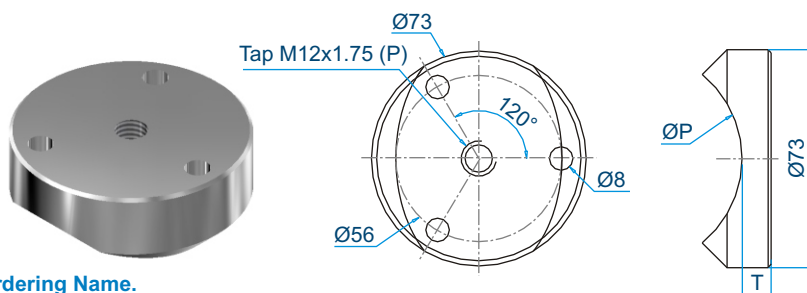


**Ordering Name.**

W SPACER R MP D73X  
 Pipe dia Thickness of Spacer

Usable in : SCT-2 A.

Pipe ØP (mm)	Thickness (T)			
	10	12	15	20
73	<b>Name</b> W Spacer R M73 D73X10(DS) <b>Ord Nr.</b> M50153	<b>Name</b> W Spacer R M73 D73X12(DS) <b>Ord Nr.</b> M50154	<b>Name</b> W Spacer R M73 D73X15(DS) <b>Ord Nr.</b> M50155	<b>Name</b> W Spacer R M73 D73X20(DS) <b>Ord Nr.</b> M50156
89	<b>Name</b> W Spacer R M89 D73X10(DS) <b>Ord Nr.</b> M50157	<b>Name</b> W Spacer R M89 D73X12(DS) <b>Ord Nr.</b> M50158	<b>Name</b> W Spacer R M89 D73X15(DS) <b>Ord Nr.</b> M50159	<b>Name</b> W Spacer R M89 D73X20(DS) <b>Ord Nr.</b> M50160
102	<b>Name</b> W Spacer R M102 D73X10(DS) <b>Ord Nr.</b> M50161	<b>Name</b> W Spacer R M102 D73X12(DS) <b>Ord Nr.</b> M50162	<b>Name</b> W Spacer R M102 D73X15(DS) <b>Ord Nr.</b> M50163	<b>Name</b> W Spacer R M102 D73X20(DS) <b>Ord Nr.</b> M50164
114	<b>Name</b> W Spacer R M114 D73X10(DS) <b>Ord Nr.</b> M50165	<b>Name</b> W Spacer R M114 D73X12(DS) <b>Ord Nr.</b> M50166	<b>Name</b> W Spacer R M114 D73X15(DS) <b>Ord Nr.</b> M50167	<b>Name</b> W Spacer R M114 D73X20(DS) <b>Ord Nr.</b> M50168
152	<b>Name</b> W Spacer R M152 D73X10(DS) <b>Ord Nr.</b> M50169	<b>Name</b> W Spacer R M152 D73X12(DS) <b>Ord Nr.</b> M50170	<b>Name</b> W Spacer R M152 D73X15(DS) <b>Ord Nr.</b> M50171	<b>Name</b> W Spacer R M152 D73X20(DS) <b>Ord Nr.</b> M50172



**Ordering Name.**

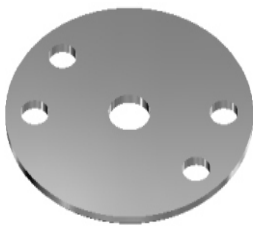
W SPACER R MP D73X  
 Pipe dia Thickness of Spacer

Usable in : SCT-1 A.

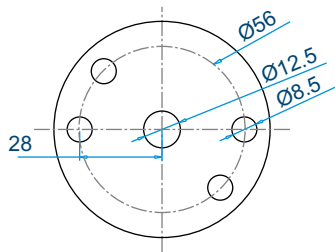


## ACCESSORIES

Pipe	Thickness (T)				
	ØP (mm)	10	12	15	20
73	<b>Name</b> W Spacer R M73 D73X10(SS) <b>Ord Nr.</b> M50173	W Spacer R M73 D73X12(SS) M50174	W Spacer R M73 D73X15(SS) M50175	W Spacer R M73 D73X20(SS) M50176	
89	<b>Name</b> W Spacer R M89 D73X10(SS) <b>Ord Nr.</b> M50177	W Spacer R M89 D73X12(SS) M50178	W Spacer R M89 D73X15(SS) M50179	W Spacer R M89 D73X20(SS) M50180	
102	<b>Name</b> W Spacer R M102 D73X10(SS) <b>Ord Nr.</b> M50181	W Spacer R M102 D73X12(SS) M50182	W Spacer R M102 D73X15(SS) M50183	W Spacer R M102 D73X20(SS) M50184	
114	<b>Name</b> W Spacer R M114 D73X10(SS) <b>Ord Nr.</b> M50185	W Spacer R M114 D73X12(SS) M50186	W Spacer R M114 D73X15(SS) M50187	W Spacer R M114 D73X20(SS) M50188	
152	<b>Name</b> W Spacer R M152 D73X10(SS) <b>Ord Nr.</b> M50189	W Spacer R M152 D73X12(SS) M50190	W Spacer R M152 D73X15(SS) M50191	W Spacer R M152 D73X20(SS) M50192	

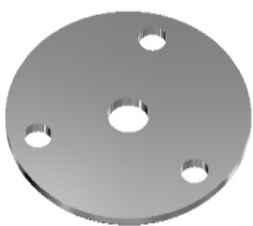


SHIM P (T) mm

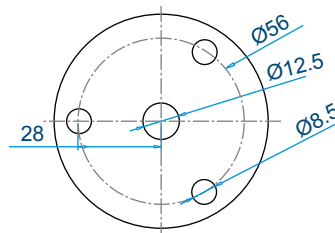


S.No.	Name	Thick (T) mm	Ord Nr.
1	SHIM P 1 mm	1	M50256
2	SHIM P 2 mm	2	M50257
3	SHIM P 5 mm	5	M50258
4	SHIM P 10 mm	10	M50259

Usable in : SC-1AL, SC-1AV, SC-2AL, SC-2AV, SC-3A, SC-4A.

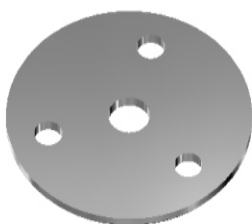


SHIM SS (T) mm

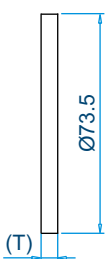
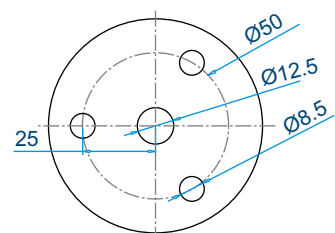


S.No.	Name	Thick (T) mm	Ord Nr.
1	SHIM SS 1 mm	1	M50260
2	SHIM SS 2 mm	2	M50261
3	SHIM SS 5 mm	5	M50262
4	SHIM SS 10 mm	10	M50263

Usable in : SCT-1A



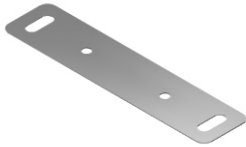
SHIM DS (T) mm



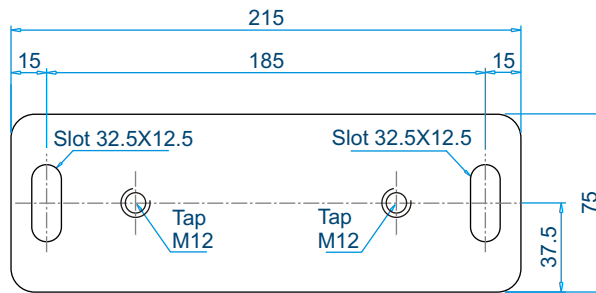
S.No.	Name	Thick (T) mm	Ord Nr.
1	SHIM DS 1 mm	1	M50264
2	SHIM DS 2 mm	2	M50265
3	SHIM DS 5 mm	5	M50266
4	SHIM DS 10 mm	10	M50267

Usable in : SCT-2A

## ACCESSORIES



Grouting Plate SCT-1A



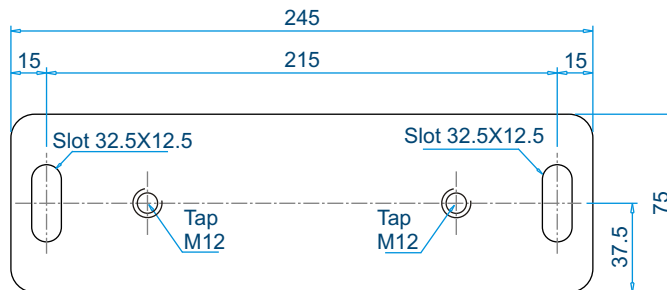
Mat : MS Zinc Plated



Ord Nr. M13290  
Usable in : SCT-1A



Grouting Plate SCT-2A



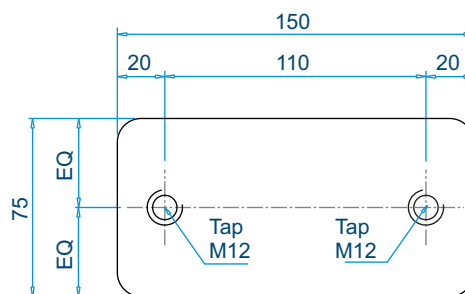
Mat : MS Zinc Plated



Ord Nr. M15194  
Usable in : SCT-2A



Welding Plate SCT-1A



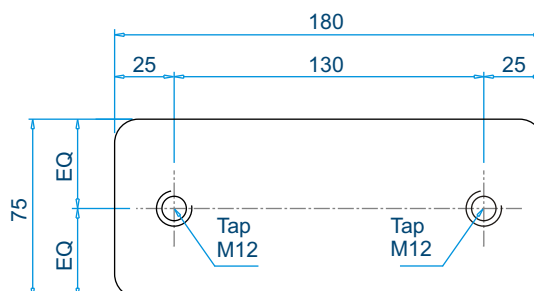
Mat : MS Zinc Plated



Ord Nr. M30265  
Usable in : SCT-1A



Welding Plate SCT-2A

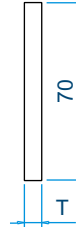
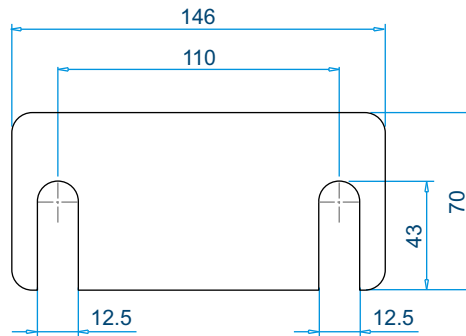


Mat : MS Zinc Plated



Ord Nr. M30264  
Usable in : SCT-2A

## ACCESSORIES

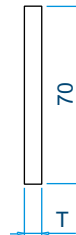
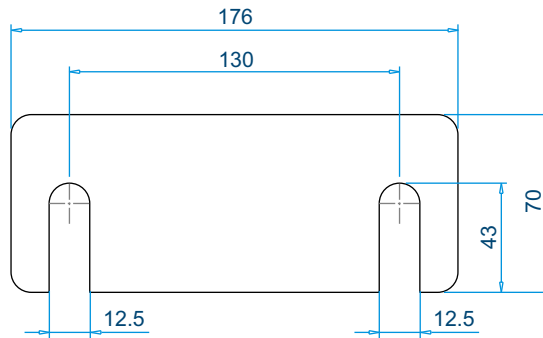
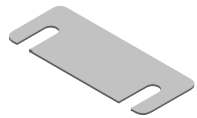


S.No.	Name	Thick (T)	Ord Nr.
1	SCT-1A-PK-1	1	M50223
2	SCT-1A-PK-2	2	M50220
3	SCT-1A-PK-5	5	M50222

Usable in : SCT-1A

**PACKER SCT-1A**

**Mat : MS Zinc Plated**



S.No.	Name	Thick (T)	Ord Nr.
1	SCT-2A-PK-1	1	M50224
2	SCT-2A-PK-2	2	M50217
3	SCT-2A-PK-5	5	M50219

Usable in : SCT-2A

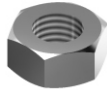
**PACKER SCT-2A**

**Mat : MS Zinc Plated**

## SPARE PARTS



**DOM NUT M12**  
Ord Nr. M10071



**HEX NUT M12**  
Ord Nr. M10145



**PLAIN WASHER M12**  
Ord Nr. M10132



**RING NUT M12**  
Ord Nr. M21110



**NYLON CSK WASHER**  
**BLACK** : Ord Nr. M10136  
**WHITE** : Ord Nr. M10137



**NYLON WASHER**  
**BLACK** : Ord Nr. M10133  
**WHITE** : Ord Nr. M10134



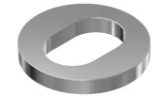
**TAPER RING**  
Ord Nr. M16413



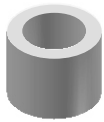
**BIG RING ECCENTRIC**  
Ord Nr. M16325



**SMALL RING ECCENTRIC**  
Ord Nr. M16324



**SLOTTED RING**  
Ord Nr. M16414



**NYLON BUSH**  
Ord Nr. M14071