



- Original and unique design yet compatible with most popular cutouts.
- Unique weather resistant grip gasket with slip free texture & design.
- Corrosion resist and Cover plates in SS316.
- Corrosion Resistant SS fasteners.
- Range available with all stainless steel parts.
- Range available for thick & large sized doors.
- Most miscellaneous are available in Hairline / Brush, Satin and Mirror finish.



FORK FF Md



FORK FM Md



FORK MF Md



FORK MM Md



TURNBUCKLE Md



ROD ØDXL



MN3-BH-MX



MN3-RH-MX



MN3-B



MN4-B



Pipe Ø33XL



MN3-BH



MN3-RH



MN3-SR170



WB-1P-MX



WBR-1P-MX



WB-1PE



WBR-1PE



WB-2P-MX



WBR-2P-MX

DIFFERENT TYPES AND DIMENSIONS :

1. Ultra-Lite

This type is meant for canopies ± 1 m wide and 1.5 to 1.8m long with 1 sheet of glass. It is very simple and the fixing of the glass is done by 4 fixed bolts type MN3 with 33mm \varnothing . Glass thickness can vary between LG 88.4 and 1212.4 according to the sizes of the glass and the expected snow/wind load. In order to enable thinner glass, the distance of the bolt to the edge of the glass can be increased to 300mm in both directions. All materials with exception of the glass are in stainless steel AISI 316.

2. Lite

This type is meant for canopies ± 1.5 to 3m wide and 4 to 5m long divided in length in glass panels of 1 to 1.2m wide. The glass panels have sizes of 1.5/3m x 1/1.2m and 6 countersunk holes. The glass panels are fixed with 6 fixed bolts \varnothing 33mm (type MN3). The bolts and bolt hangers are stabilised by a thick pipe 33mm \varnothing and 3mm thick. Glass thickness can vary between LG 88.4 and LG 1212.4 according to the sizes of the glass and the expected snow/wind load. In order to enable thinner glass, the distance of the bolt to the edge of the glass can be increased to 300mm in 1 direction. All materials with exception of the glass are in stainless steel AISI 316.

3. Medium System

This type is comparable with the Lite system but permits a larger width of the individual glass panels. This means canopies of 1.5m to 3m wide and 5 to 10m long divided in length with glass panels to 1.5m wide. The glass panels have sizes of 1.5/3m x 1.2/1.5 m and 6 countersunk holes. The glass panels are fixed with 6 fixed bolts \varnothing 30mm type FBE3-B (countersunk and settlement possibilities with eccentric system). The bearing construction is made of mild steel and the FBE3-B type bolts can be fixed straight to it. Alternatively also bolts of the HRF5 can be used. Those bolts also have an eccentric settlement system to absorb small tolerates, but need straight holes instead of countersunk holes in the glass. Glass thickness can vary between LG 88.4 and LG 1212.4 according to the sizes of the glass, the number of fixing and the expected snow/wind load.

4. Heavy System

This type doesn't need much information. It is meant for canopies of big size. Those canopies use a heavy mild steel construction whereon via intermediates the Classic spiders are fixed foreseen of KNB for laminated glass. De glasdikte kan variëren tussen LG 88.4 en LG 1212.4 naargelang de afmetingen van de ruit, naargelang het aantal KNB per ruit en naargelang de te verwachten sneeuwbelasting. Glass thickness can vary between LG 88.4 and LG 1212.4 according to the sizes of the glass, the number of fixings and the expected snow/wind load.

Types of glazing

For all of above types of canopy systems, the use of laminated toughened glass is obligatory. To keep glass thickness and cost to a minimum the use of SGP, ionoplast interlayer as replacement for normal pvb, could be used. This SGP (Sentry Glass Plus) interlayer has a number of advantages (e.g. low water absorption, much larger stiffness a.o.) but up till today, the extra cost of the SGP comparing to pvb is not profitable against thicker glass. This product (SGP) can only be used for the moment in circumstances where pvb is technically unacceptable.

Example :

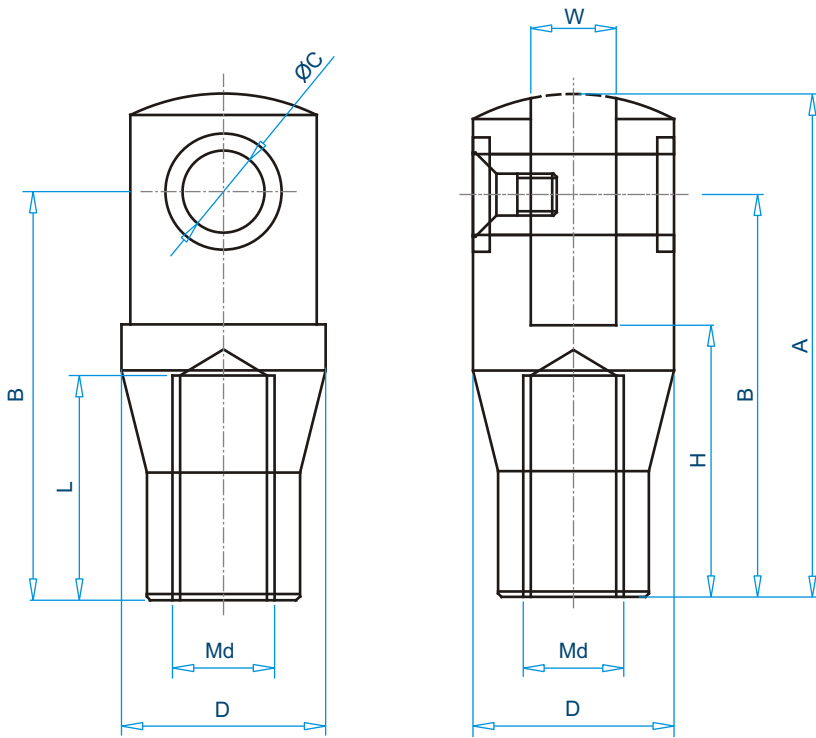
The equivalent thickness of :	LG 88.4 is 10.1mm
	LG 1010.4 is 12.6 mm
	LG 1212.4 is 15.1 mm

With SGP it becomes :	LG 88.4 becomes ± 16.00 mm
	LG 1010.4 becomes ± 20.00 mm
	LG 1212.4 becomes ± 24.00 mm

The indication \pm shows that by using SGP the equivalent thickness also depends on the sizes and the relation W/L of the glass pane.

FORK

Female Female ■
SS316 ■



S.No.	Name	Md	A	B	C	D	W	H	L	Mass (kg)	Ord Nr.
1	Fork FF M8	M8	40	32	6	16	6.5	21.6	17.6	0.029	M17087
2	Fork FF M10	M10	50	40	8	20	8.5	27.0	22.0	0.057	M18807
3	Fork FF M12	M12	60	48	10	24	10.2	32.4	26.4	0.098	M18376
4	Fork FF M16	M16	80	64	12	32	12.5	43.2	35.2	0.233	M21107
5	Fork FF M20	M20	100	80	16	40	17.5	54.0	44.0	0.456	M19711

Accessories to be ordered separately.

Accessories



Fork Pin M8
Ord Nr. M30186



Fork Pin M10
Ord Nr. M30187



Fork Pin M12
Ord Nr. M30188



Fork Pin M16
Ord Nr. M30189



Fork Pin M20
Ord Nr. M30190



CSK Screw M4X15
Ord Nr. M30191



CSK Screw M6X10
Ord Nr. M30192



Fork Pin Spacer M8
Ord Nr. M30181



Fork Pin Spacer M10
Ord Nr. M30182



Fork Pin Spacer M12
Ord Nr. M30183



Fork Pin Spacer M16
Ord Nr. M30184



Fork Pin Spacer M20
Ord Nr. M30185



CSK Screw M8X10
Ord Nr. M30193

Tools



ALLEN 2



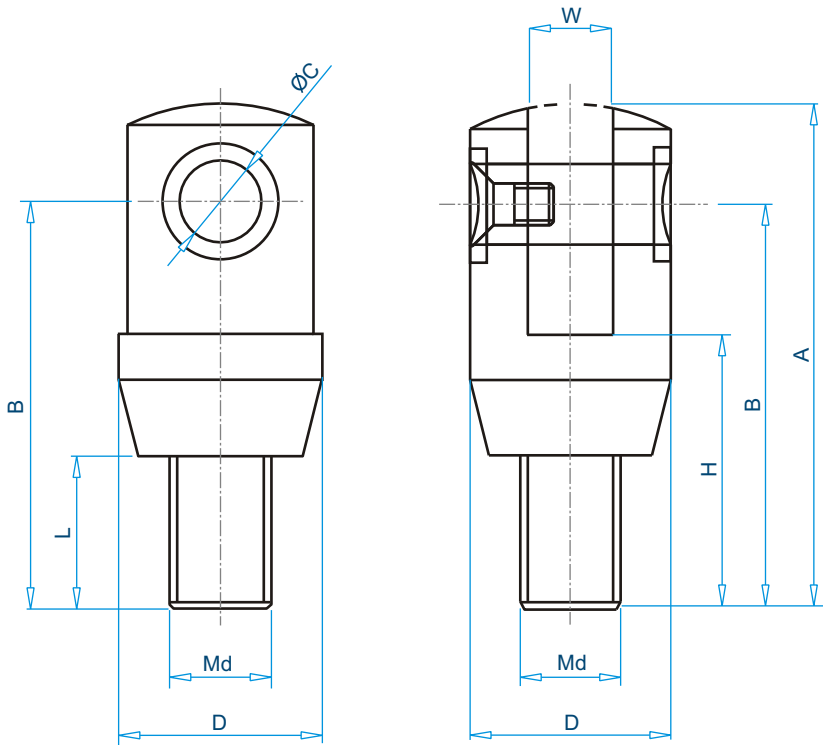
ALLEN 4



ALLEN 5

FORK

Female male ■
SS316 ■



S.No.	Name	Md	A	B	C	D	W	H	L	Mass (kg)	Ord Nr.
1	Fork FM M8	M8	40	32	6	16	6.5	21.6	12	0.030	M26821
2	Fork FM M10	M10	50	40	8	20	8.5	27.0	15	0.058	M26822
3	Fork FM M12	M12	60	48	10	24	10.2	32.4	18	0.101	M18376
4	Fork FM M16	M16	80	64	12	32	12.5	43.2	24	0.240	M26823
5	Fork FM M20	M20	100	80	16	40	17.5	54.0	30	0.470	M26825

Accessories to be ordered separately.

Accessories



Fork Pin M8
Ord Nr. M30186



Fork Pin M10
Ord Nr. M30187



Fork Pin M12
Ord Nr. M30188



Fork Pin M16
Ord Nr. M30189



Fork Pin M20
Ord Nr. M30190



CSK Screw M4X15
Ord Nr. M30191



CSK Screw M6X10
Ord Nr. M30192



Fork Pin Spacer M8
Ord Nr. M30181



Fork Pin Spacer M10
Ord Nr. M30182



Fork Pin Spacer M12
Ord Nr. M30183



Fork Pin Spacer M16
Ord Nr. M30184



Fork Pin Spacer M20
Ord Nr. M30185



CSK Screw M8X10
Ord Nr. M30193

Tools



ALLEN 2



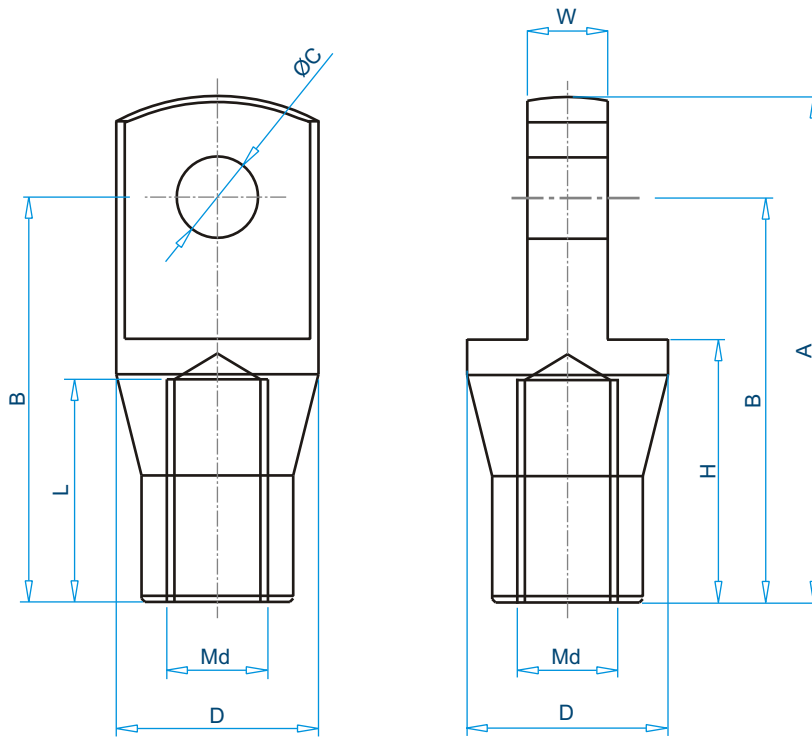
ALLEN 4



ALLEN 5

FORK

Male Female ■
SS316 ■



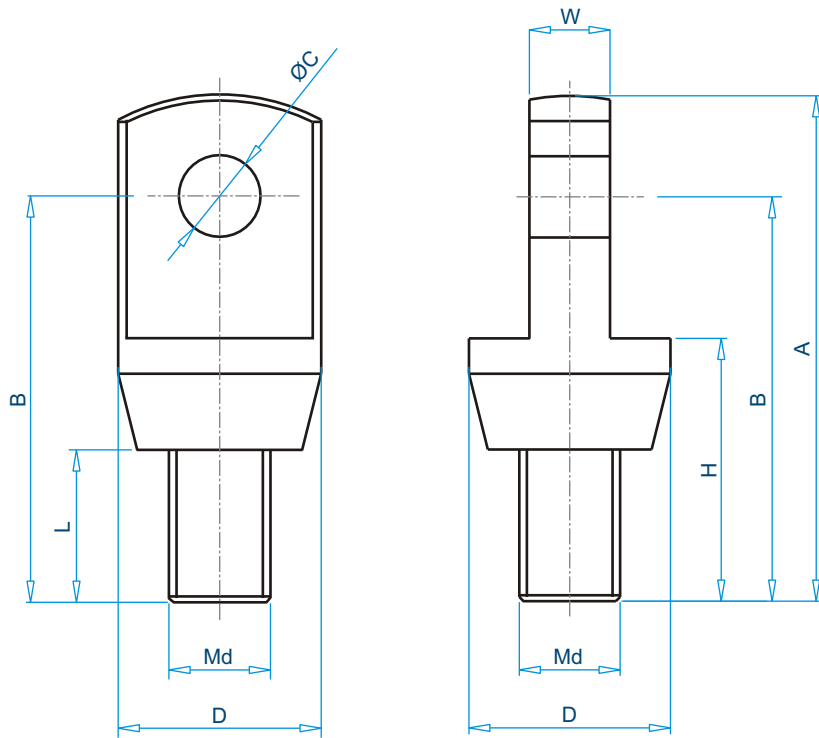
S.No.	Name	Md	A	B	C	D	W	H	L	Mass (kg)	Ord Nr.
1	Fork MF M8	M8	40	32	6	16	6.4	20.8	17.6	0.032	M17090
2	Fork MF M10	M10	50	40	8	20	8.0	26.0	22.0	0.061	M18808
3	Fork MF M12	M12	60	48	10	24	9.6	31.2	26.4	0.106	M18375
4	Fork MF M16	M16	80	64	12	32	12.8	41.6	35.2	0.249	M16116
5	Fork MF M20	M20	100	80	16	40	16.0	52.0	44.0	0.487	M24393

Accessories

Tools

FORK

Male Male ■
SS316 ■



S.No.	Name	Md	A	B	C	D	W	H	L	Mass (kg)	Ord Nr.
1	Fork MM M8	M8	40	32	6	16	6.4	20.8	12	0.030	M26805
2	Fork MM M10	M10	50	40	8	20	8.0	26.0	15	0.059	M26806
3	Fork MM M12	M12	60	48	10	24	9.6	31.2	18	0.103	M26807
4	Fork MM M16	M16	80	64	12	32	12.8	41.6	24	0.244	M26808
5	Fork MM M20	M20	100	80	16	40	16.0	52.0	30	0.476	M26809

Accessories to be ordered separately.

Accessories



Hex Nut M8
Ord Nr. M11699



Hex Nut M10
Ord Nr. M11693



Hex Nut M12
Ord Nr. M10145



Hex Nut M16
Ord Nr. M11695



Hex Nut M20
Ord Nr. M11696

Tools



8X10



12X13



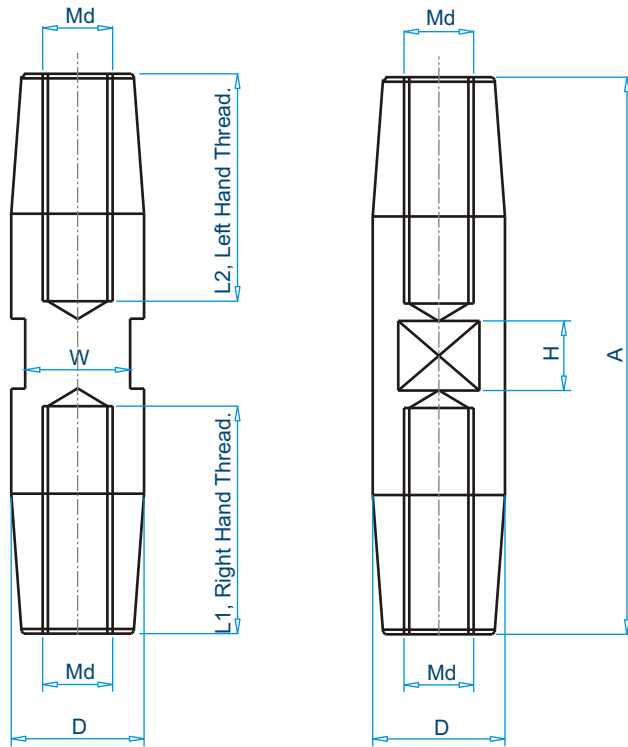
15X17



18X19

TURNBUCKLE

SS316 ■



S.No.	Name	Md	A	D	L1	L2	W	H	Mass (kg)	Ord Nr.
1	Turnbuckle M8	M8	64	15.2	26.0	26.0	12	8	0.070	M17129
2	Turnbuckle M10	M10	80	19.0	32.5	32.5	15	10	0.136	M19029
3	Turnbuckle M12	M12	96	22.8	39.0	39.0	18	12	0.235	M18263
4	Turnbuckle M16	M16	128	30.4	50.0	50.0	24	16	0.551	M20712
5	Turnbuckle M20	M20	160	38.0	65.0	65.0	30	20	1.076	M20230

Accessories

Tools



8X10



12X13



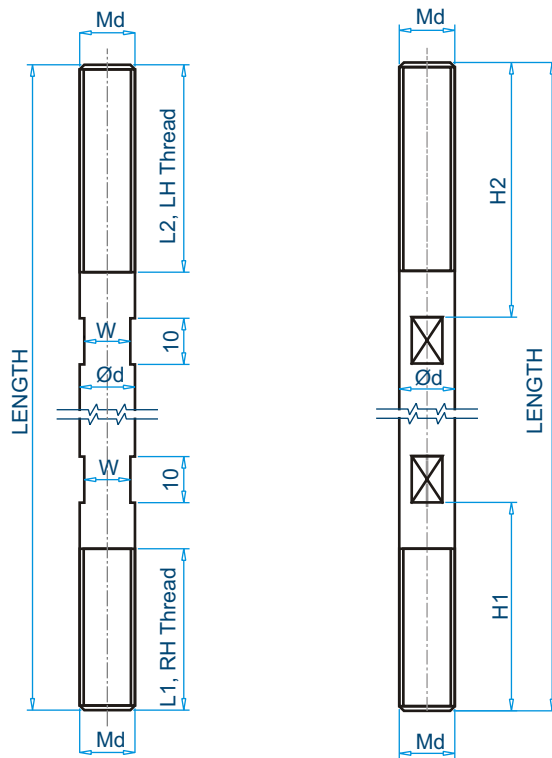
15X17



18X19

ROD ØDXL

SS316 ■



S.No.	Name	Md	ØD	L1	L2	W	H1	H2	Mass (kg/meter)	Ord Nr.
1	ROD D8	M8	8	25	30	6	35	40	0.404	M26559
2	ROD D10	M10	10	30	40	8	40	50	0.631	M26560
3	ROD D12	M12	12	35	45	10	45	55	0.908	M26561
4	ROD D16	M16	16	45	60	13	55	70	1.615	M22036
5	ROD D20	M20	20	55	75	17	65	85	2.533	M26562

Accessories to be ordered separately.

Accessories



Hex Nut M8
Ord Nr. M11699



Hex Nut M10
Ord Nr. M11693



Hex Nut M12
Ord Nr. M10145



Hex Nut M16
Ord Nr. M11695



Hex Nut M20
Ord Nr. M11696



Hex Nut SS LH M8
Ord Nr. M24518



Hex Nut SS LH M10
Ord Nr. M19048



Hex Nut SS LH M12
Ord Nr. M13019



Hex Nut SS LH M16
Ord Nr. M22807



Hex Nut SS LH M20
Ord Nr. M20110

Tools



8X10



12X13



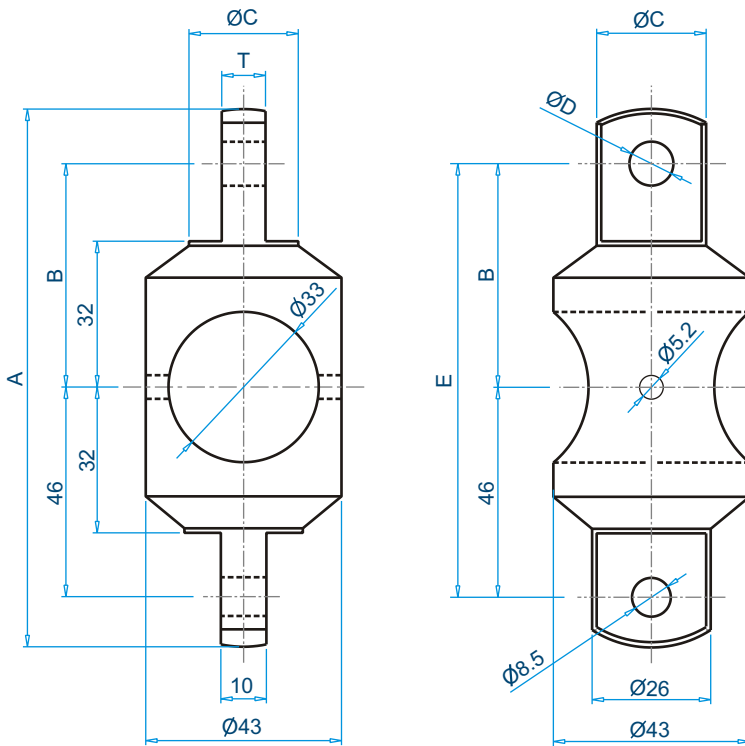
15X17



18X19

MN3-BH-MX

MN3 Bolt Hanger Male ■
SS316 ■



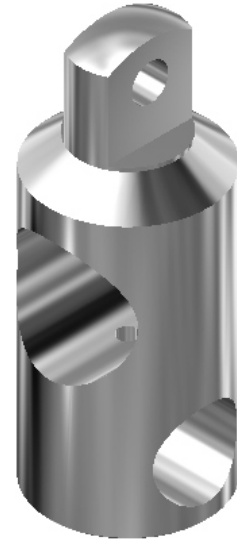
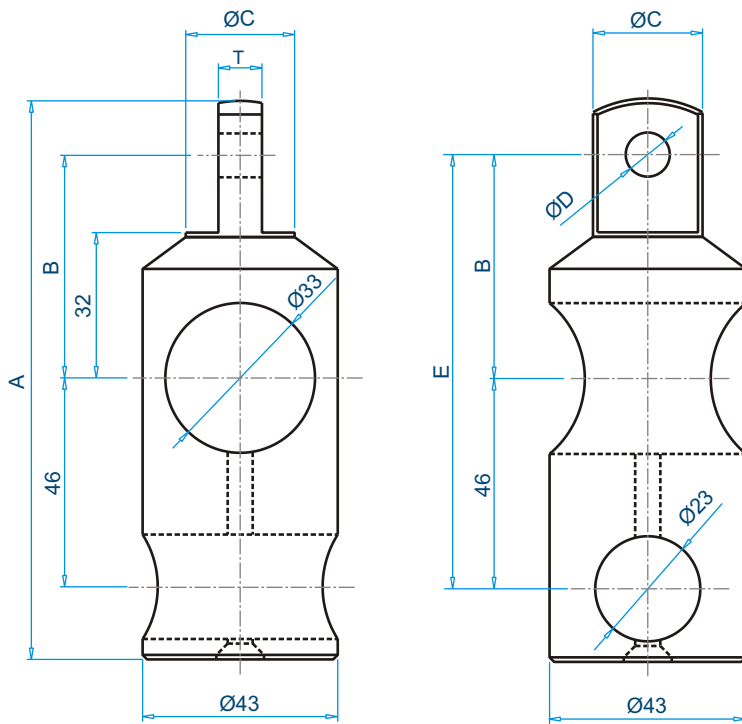
S.No.	Name	Md	A	B	C	D	E	T	Mass (kg)	Ord Nr.
1	MN3-BH-M8	M8	108	43	16	6.5	89	6.5	0.443	M26810
2	MN3-BH-M10	M10	113	46	20	8.5	92	8.5	0.461	M26811
3	MN3-BH-M12	M12	118	49	24	10.5	95	10.5	0.488	M26812
4	MN3-BH-M16	M16	127	54	32	12.5	100	12.5	0.555	M25340
5	MN3-BH-M20	M20	136	59	34	16.5	105	16.5	0.625	M26813

Accessories

Tools

MN3-RH-MX

MN3 Rod Hanger Male ■
SS316 ■



S.No.	Name	MX	A	B	C	D	E	T	Mass (kg)	Ord Nr.
1	MN3-RH-M8	M8	113	43	16	6.5	89	6.5	0.642	M26814
2	MN3-RH-M10	M10	118	46	20	8.5	92	8.5	0.661	M26815
3	MN3-RH-M12	M12	123	49	24	10.5	95	10.5	0.687	M26816
4	MN3-RH-M16	M16	132	54	32	12.5	100	12.5	0.755	M25341
5	MN3-RH-M20	M20	141	59	34	16.5	105	16.5	0.824	M26817

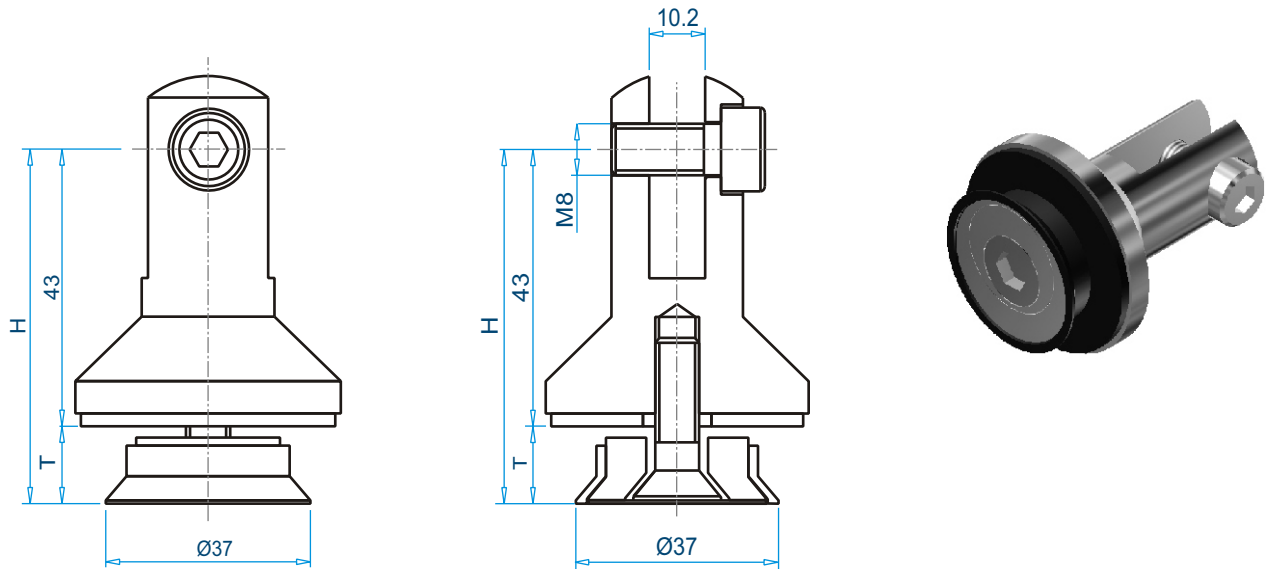
Accessories

Tools

MN3 Base

SS316 ■

Ord Nr. : M22032



S.No.	Glass Combination (T)	Dim H	S.No.	Glass Combination (T)	Dim H
1	8	51.00	6	10+1.52+10	64.52
2	10	53.00	7	12+1.52+8	64.52
3	12	55.00	8	12+1.52+10	66.52
4	8+1.52+8	60.52	9	12+1.52+12	68.52
5	10+1.52+8	62.52			

Accessories to be ordered separately.

Accessories



MN3 Cover
Ord Nr. M25368

Tools

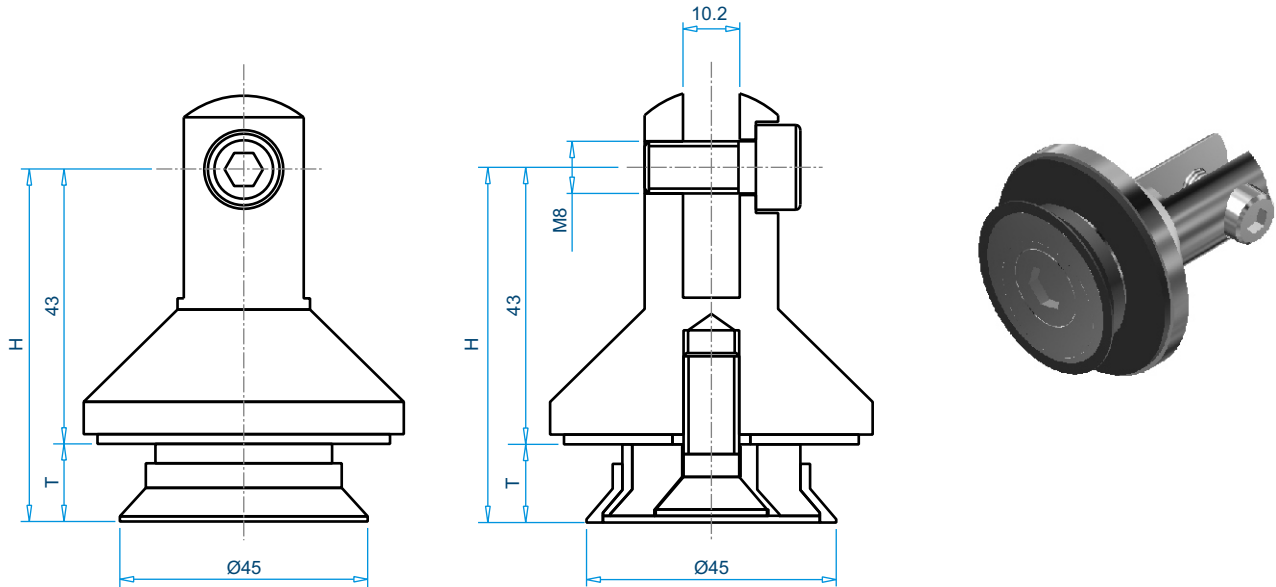


ALLEN 5

MN4 Base

SS316 ■

Ord Nr. : M18697



S.No.	Glass Combination (T)	Dim H	S.No.	Glass Combination (T)	Dim H
1	8	51.00	6	10+1.52+10	64.52
2	10	53.00	7	12+1.52+8	64.52
3	12	55.00	8	12+1.52+10	66.52
4	8+1.52+8	60.52	9	12+1.52+12	68.52
5	10+1.52+8	62.52			

Accessories to be ordered separately.

Accessories



MN4 Cover
Ord Nr. M22736

Tools

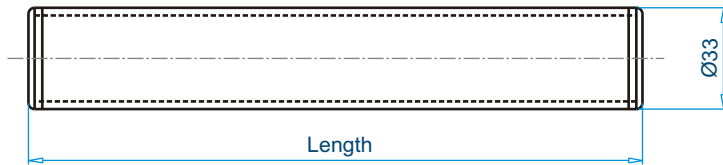
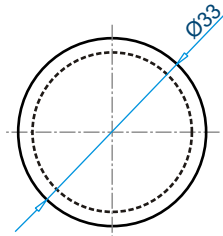


ALLEN 5

PIPE Ø33XL

SS316 ■

Ord Nr. : M26840



Accessories to be ordered separately.

Accessories



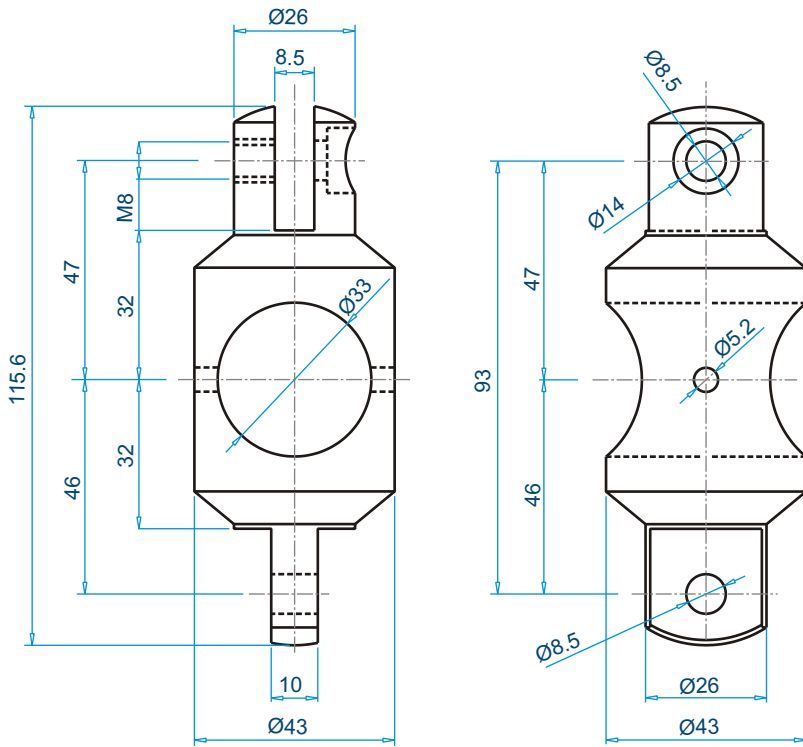
End Cap
Ord Nr. M50404

Tools

MN3-BH

MN3 Bolt Hanger ■
SS316 ■

Ord Nr. : M26532



Accessories to be ordered separately.

Accessories



Allen Bolt M8X20
Ord Nr. M19861

Tools

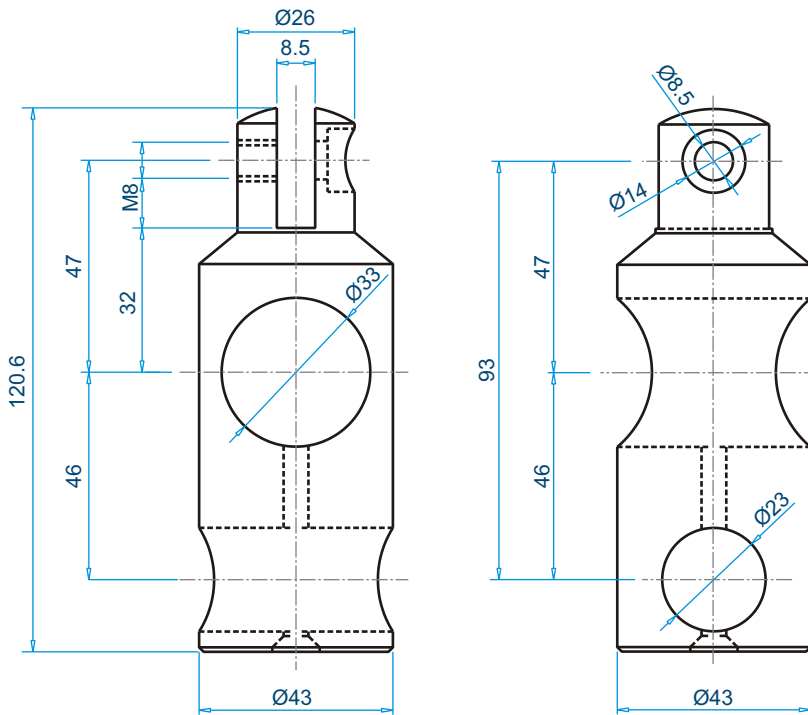


ALLEN 6

MN3-RH

MN3 Rod Hanger ■
SS316 ■

Ord Nr. : M26535



Accessories to be ordered separately.

Accessories



Allen Bolt M8X20
Ord Nr. M19861

Tools

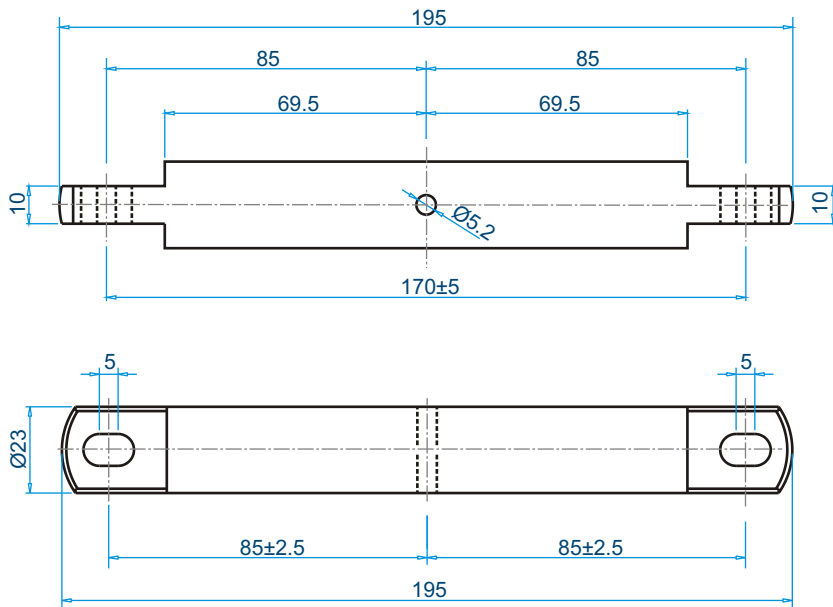


ALLEN 6

MN3-SR170

SS316 ■

Ord Nr. : M21010



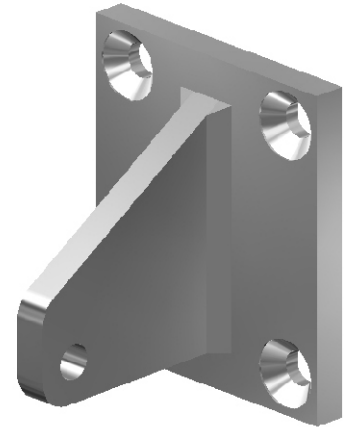
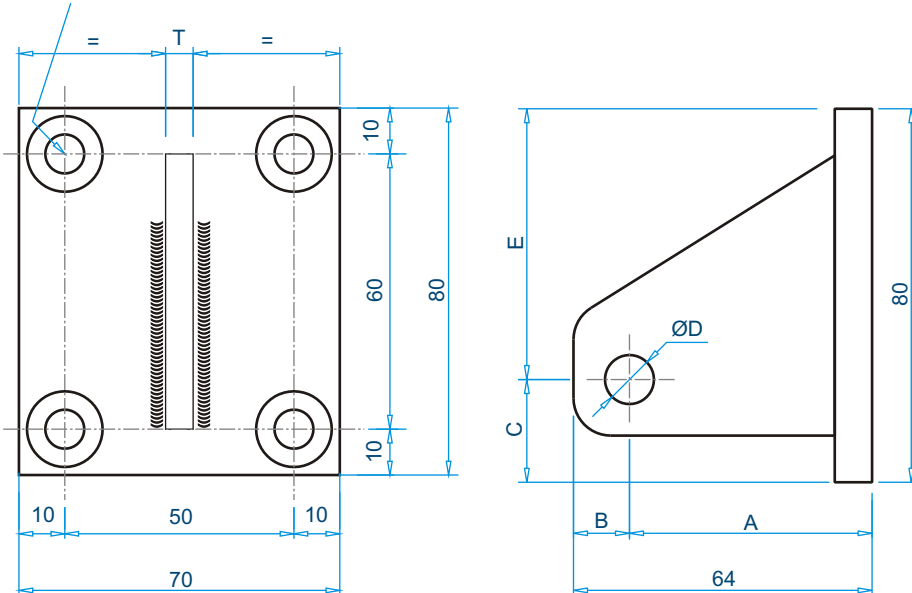
Accessories

Tools

WB-1P-MX

Wall Bracket 1 Point ■
SS316 ■

M8, CSK Holes - 04 Nos.



S.No.	Name	Rod Ød	A	B	C	D	E	T	Mass (kg)	Ord Nr.
1	WB-1P-M8	Ø8	56	8	18	6.5	62	6	0.453	M26818
2	WB-1P-M10	Ø10	54	10	20	8.5	60	8	0.489	M26819
3	WB-1P-M12	Ø12	52	12	22	10.5	58	8	0.487	M25392
4	WB-1P-M16	Ø16	48	16	26	12.5	54	10	0.521	M25266
5	WB-1P-M20	Ø20	44	20	30	16.5	50	10	0.514	M26820

Accessories to be ordered separately.

Accessories



Fisher Anchor SLM 8N
Ord Nr. M10075



CSK Allen Screw M8X60
Ord Nr. M12633

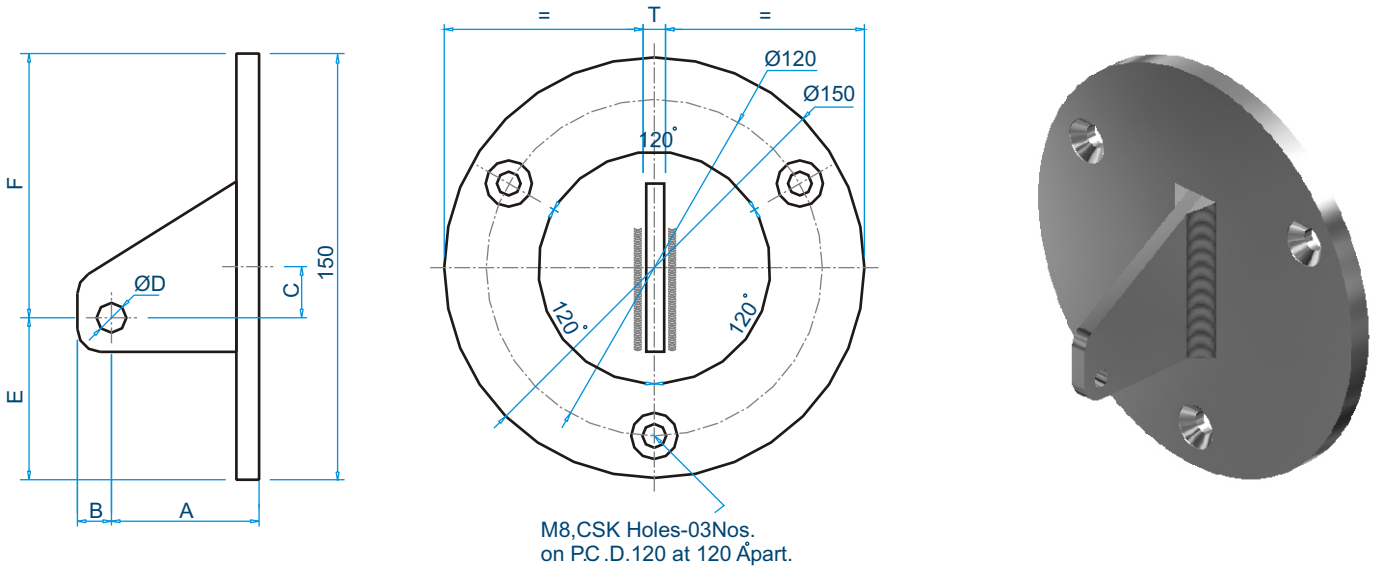
Tools



ALLEN 5

WBR-1P-MX

Round Wall Bracket 1 Point ■
SS316 ■



S.No.	Name	Rod Ød	A	B	C	D	E	F	T	Mass (kg)	Ord Nr.
1	WBR-1P-M8	Ø8	56	8	22	6.5	53	97	6	1.251	M26829
2	WBR-1P-M10	Ø10	54	10	20	8.5	55	95	8	1.268	M26830
3	WBR-1P-M12	Ø12	52	12	18	10.5	57	93	8	1.285	M26297
4	WBR-1P-M16	Ø16	48	16	14	12.5	61	89	10	1.318	M26831
5	WBR-1P-M20	Ø20	44	20	10	16.5	65	85	10	1.311	M26832

Accessories to be ordered separately.

Accessories



Fisher Anchor SLM 8N
Ord Nr. M10075



CSK Allen Screw M8X60
Ord Nr. M12633

Tools

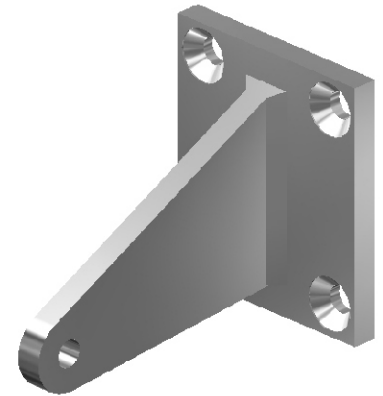
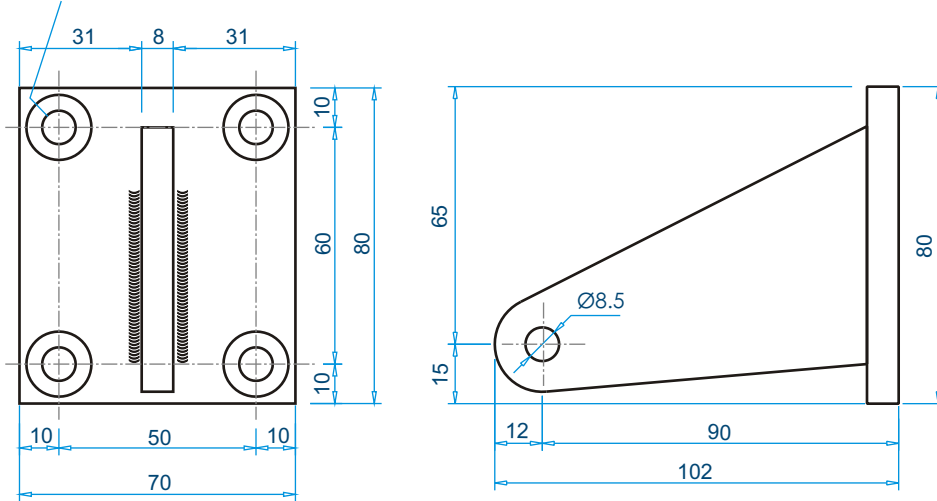


ALLEN 5

WB-1PE

Wall Bracket 1P Extended ■
SS316 ■
Ord Nr. : M25390

M8, CSK Holes - 04 Nos.



Accessories to be ordered separately.

Accessories



Fisher Anchor SLM 8N
Ord Nr. M10075



CSK Allen Screw M8X60
Ord Nr. M12633

Tools



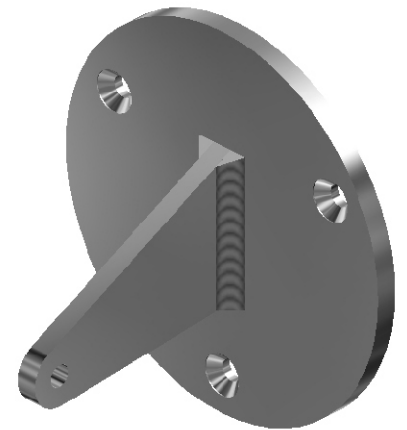
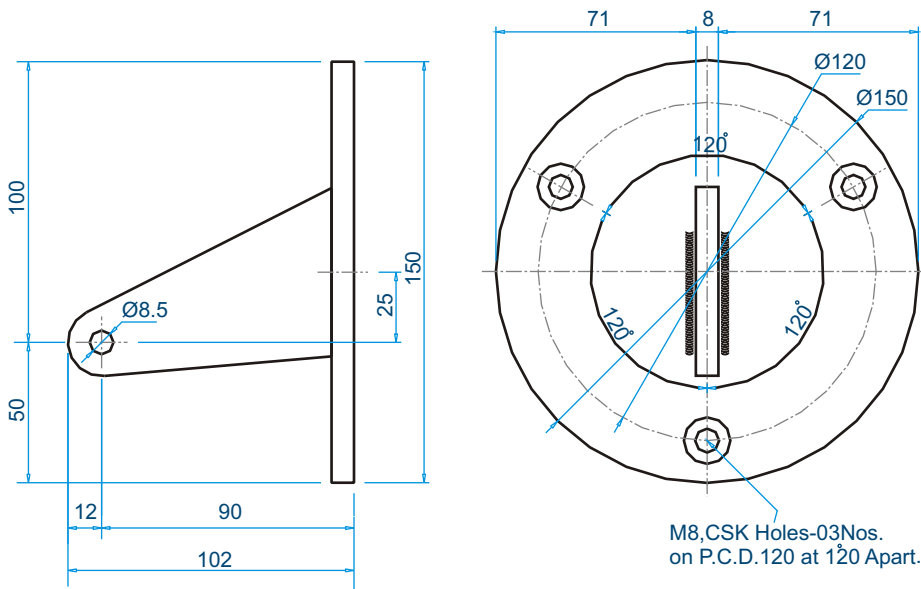
ALLEN 5

WBR-1PE

Round Wall Bracket 1P Extended ■

SS316 ■

Ord Nr. : M25198



Accessories to be ordered separately.

Accessories



Fisher Anchor SLM 8N
Ord Nr. M10075



CSK Allen Screw M8X60
Ord Nr. M12633

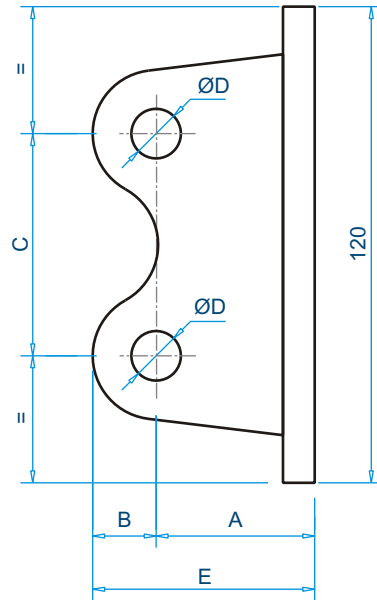
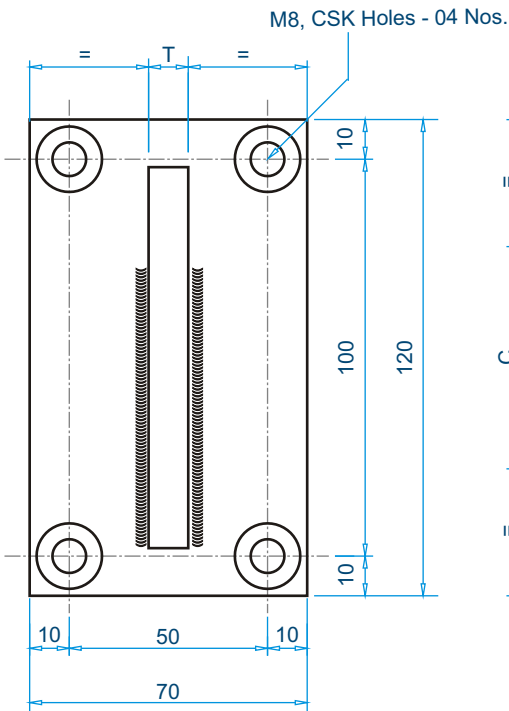
Tools



ALLEN 5

WB-2P-MX

Wall bracket 2 Point ■
SS316 ■



S.No.	Name	Rod Ød	A	B	C	D	E	T	Mass (kg)	Ord Nr.
1	WB-2P-M8	Ø8	24	8	28	6.5	32	6	0.562	M25393
2	WB-2P-M10	Ø10	28	10	35	8.5	38	8	0.609	M26826
3	WB-2P-M12	Ø12	32	12	42	10.5	44	8	0.648	M26827
4	WB-2P-M16	Ø16	40	16	56	12.5	56	10	0.809	M25267
5	WB-2P-M20	Ø20	48	20	70	16.5	68	10	0.969	M26828

Accessories to be ordered separately.

Accessories



Fisher Anchor SLM 8N
Ord Nr. M10075



CSK Allen Screw M8X60
Ord Nr. M12633

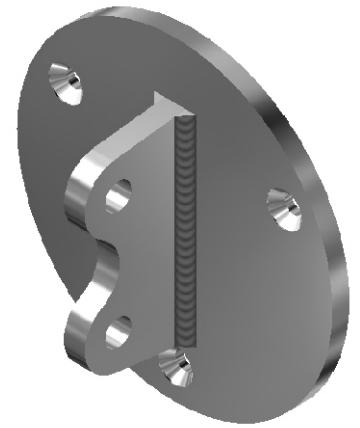
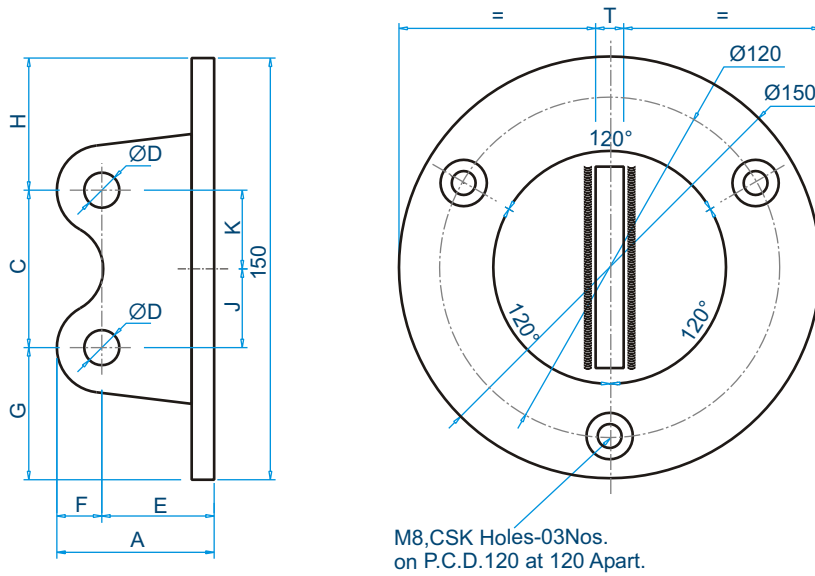
Tools



ALLEN 5

WBR-2P-MX

Round Wall Bracket 2 Point ■
SS316 ■



S.No.	Name	Rod Ød	A	B	D	E	F	G	H	J	K	T	Mass (kg)	Ord Nr.
1	WBR-2P-M8	Ø8	32	28	6.5	24	8	61	61	14	14	6	1.167	M26833
2	WBR-2P-M10	Ø10	38	35	8.5	28	10	57.5	57.5	17.5	17.5	8	1.215	M26834
3	WBR-2P-M12	Ø12	44	42	10.5	32	12	54	54	21	21	8	1.255	M26835
4	WBR-2P-M16	Ø16	56	56	12.5	40	16	47	47	28	28	10	1.418	M26836
5	WBR-2P-M20	Ø20	68	70	16.5	48	20	52	28	23	47	10	1.579	M26837

Accessories to be ordered separately.

Accessories



Fisher Anchor SLM 8N
Ord Nr. M10075



CSK Allen Screw M8X60
Ord Nr. M12633

Tools



ALLEN 5