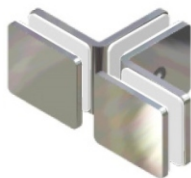


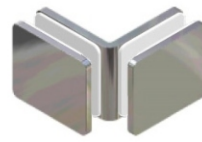
- Made from SS316 using special precision machining methods.
- These fittings are offered in excellent machine finishes.
- The design of these fittings offers high on site adjustment possibilities.
- Special mounting possibilities and to add to all low cost.
- These fittings can be very easily used in applications using extra thick glasses.



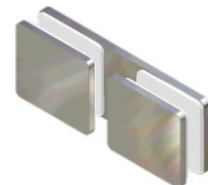
CC-1



CC-2



CC-3



CC-4



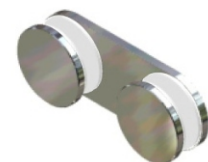
RCC-1



RCC-2



RCC-3

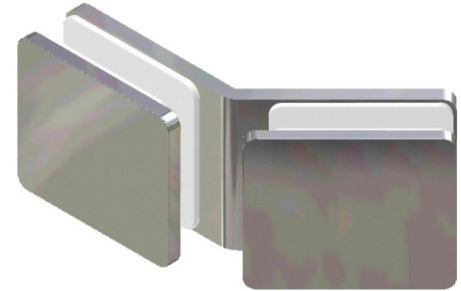
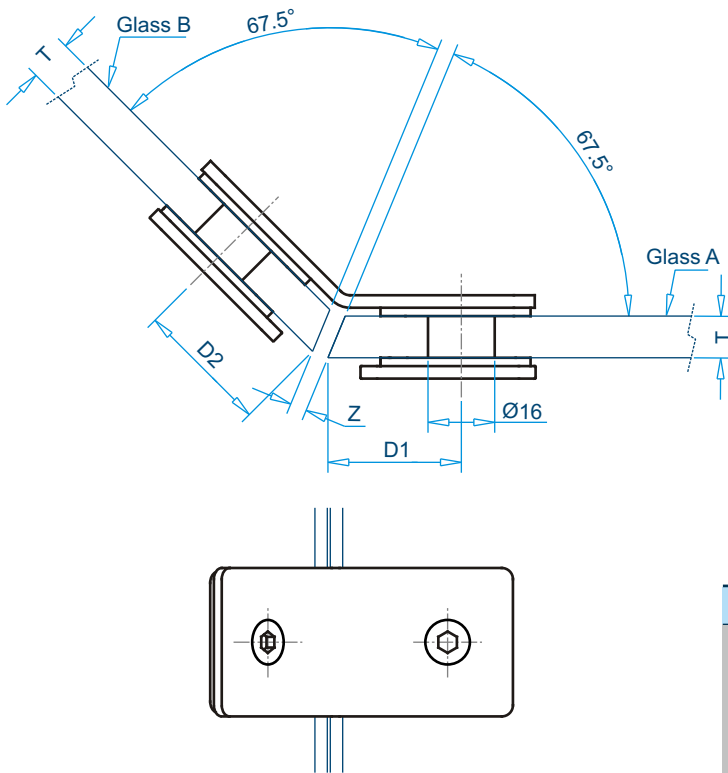


RCC-4

CC-1

SS316 ■

Ord Nr.: M10042



S.No.	Thickness - T	Glass A - D1	Glass B - D2	Gap - Z
1	8 mm	31	31	4.3
2	10 mm	32	32	4
3	12 mm	33	33	3.7

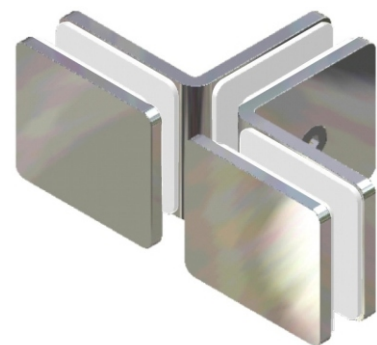
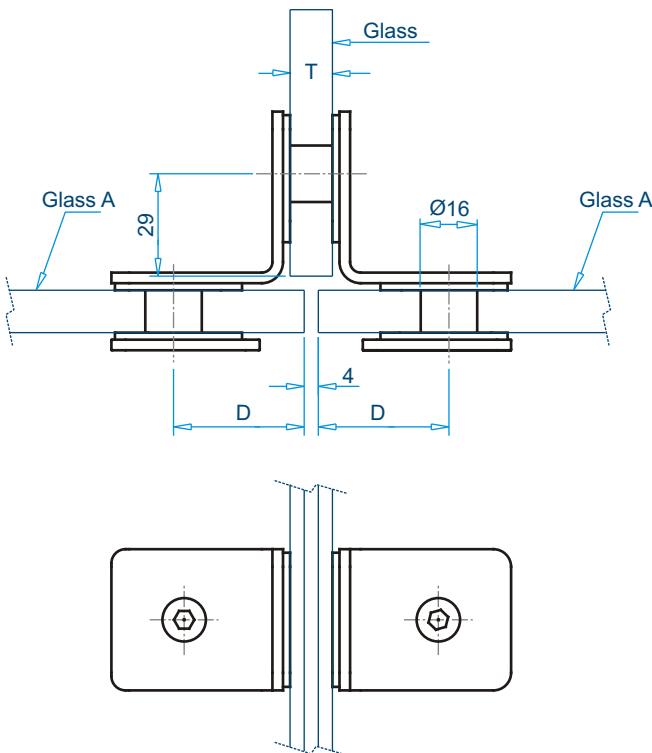


■ Optional Accessories on Page 5

CC-2

SS316 ■

Ord Nr.: M10043



S.No.	Thickness - T	Glass A - D
1	8 mm	35
2	10 mm	36
3	12 mm	37

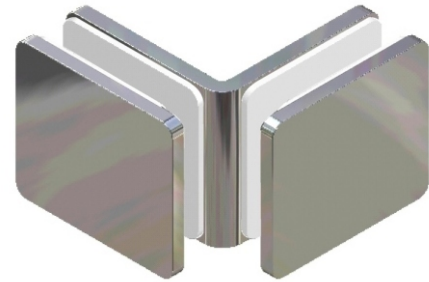
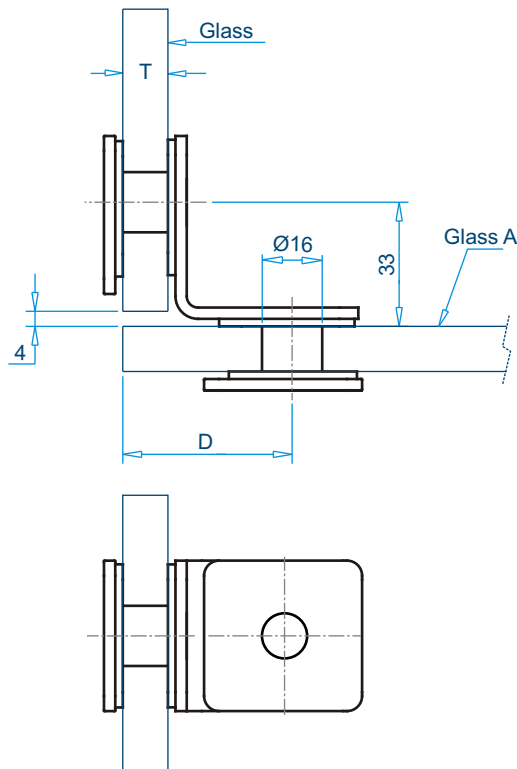


■ Optional Accessories on Page 5

CC-3

SS316 ■

Ord Nr.: M10044



S.No.	Thickness - T	Glass A - D
1	8 mm	41
2	10 mm	43
3	12 mm	45

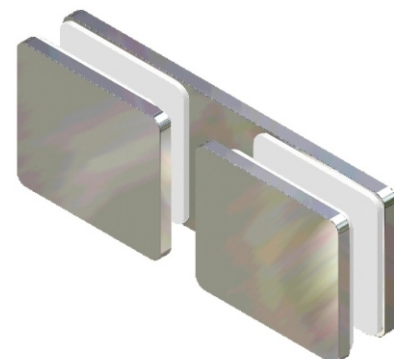
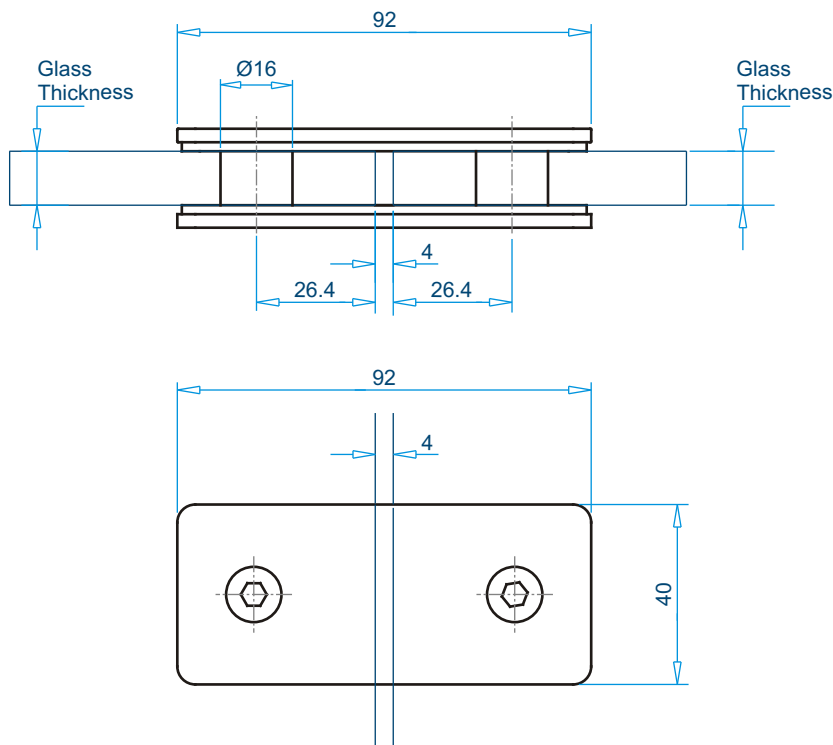


■ Optional Accessories on Page 5

CC-4

SS316 ■

Ord Nr.: M10045

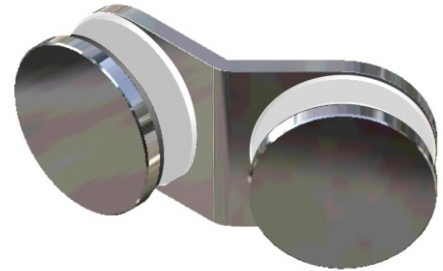
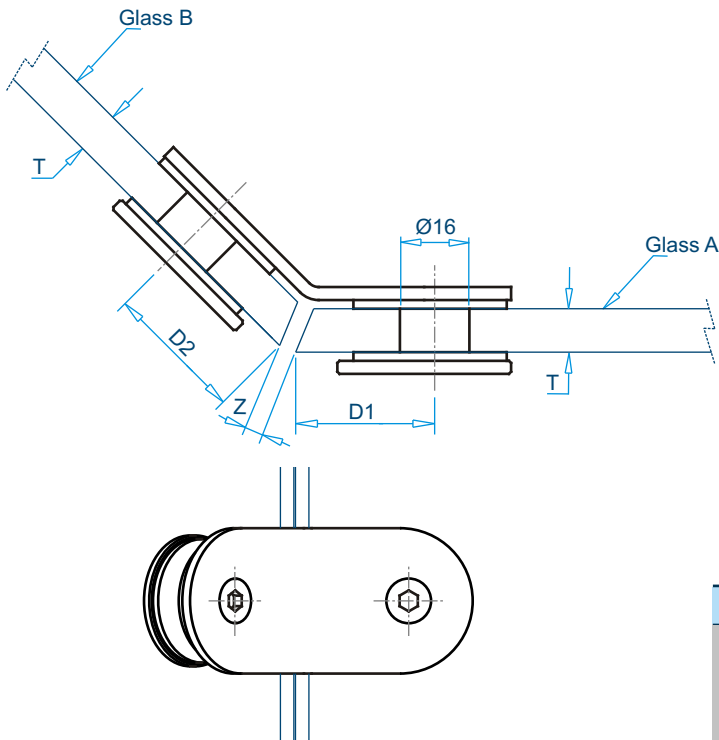


■ Optional Accessories on Page 5

RCC-1

SS316 ■

Ord Nr.: M10046



S.No.	Thickness - T	Glass A - D1	Glass B - D2	Gap - Z
1	8 mm	31	31	4.3
2	10 mm	32	32	4
3	12 mm	33	33	3.7

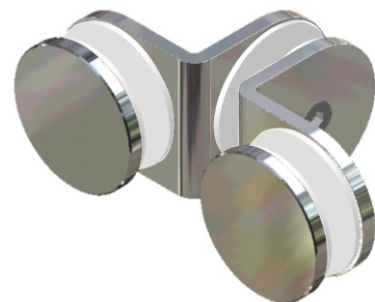
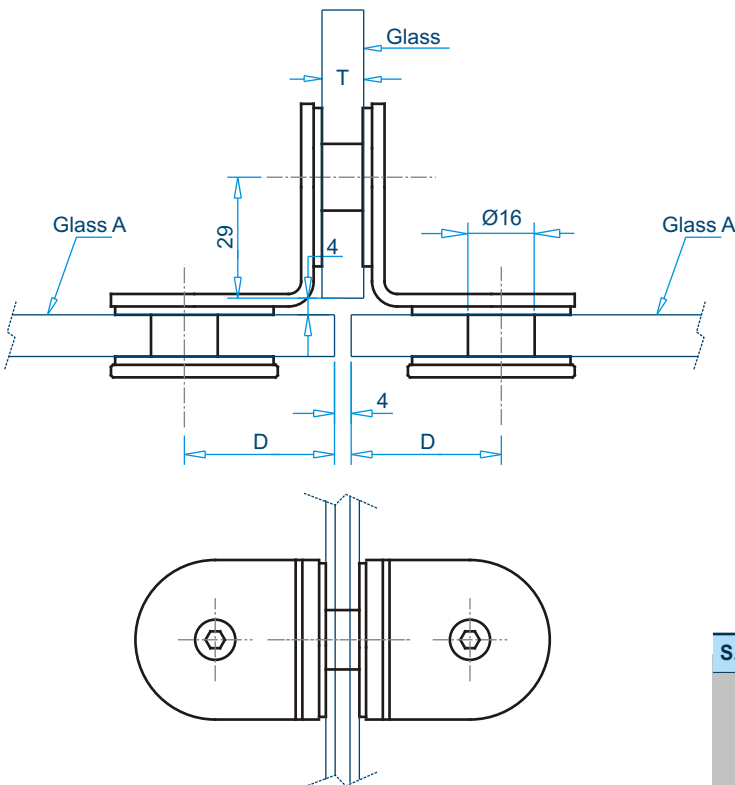


■ Optional Accessories on Page 5

RCC-2

SS316 ■

Ord Nr.: M10047



S.No.	Thickness - T	Glass A - D1
1	8 mm	35
2	10 mm	36
3	12 mm	37

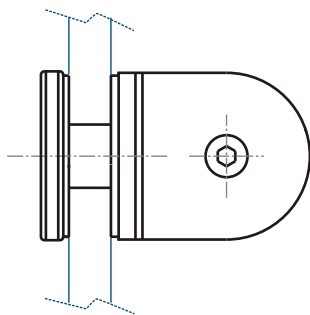
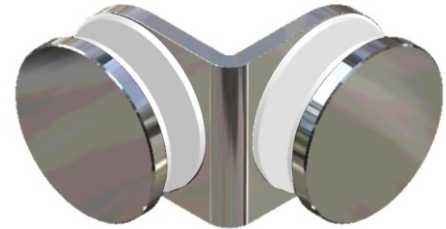
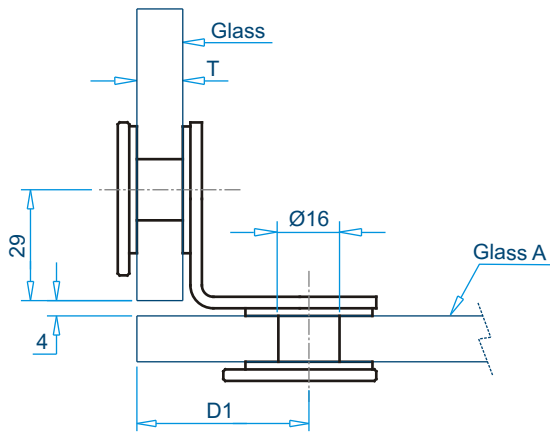


■ Optional Accessories on Page 5

RCC-3

SS316 ■

Ord Nr.: M10048



Allen M4

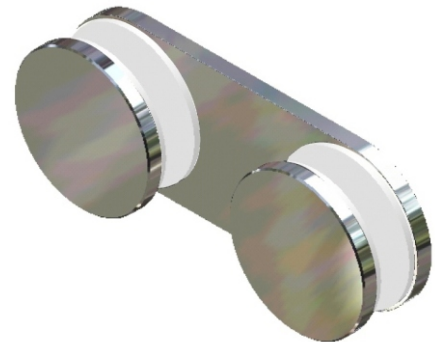
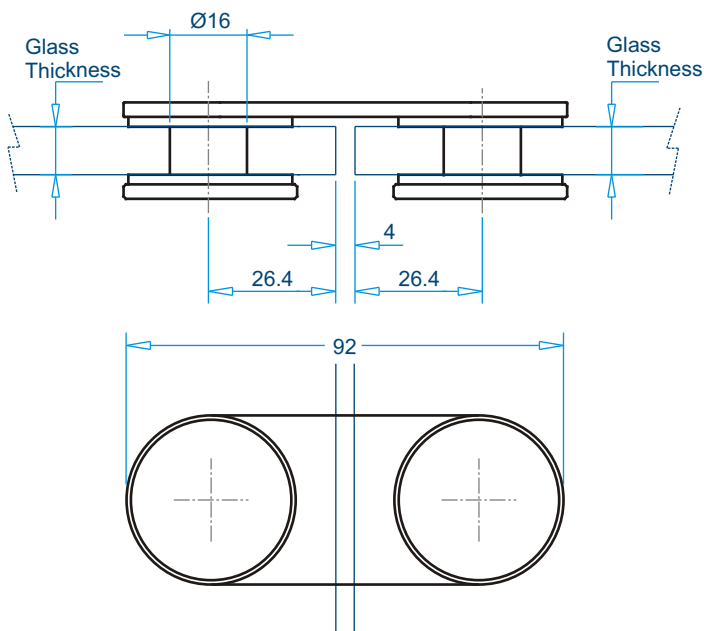
S.No.	Thickness - T	Glass A - D1
1	8 mm	41
2	10 mm	43
3	12 mm	45

■ Optional Accessories on Page 5

RCC-4

SS316 ■

Ord Nr.: M10049

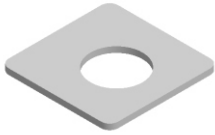


Allen M4

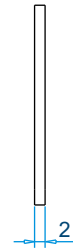
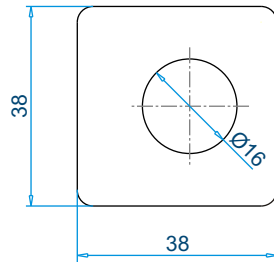
■ Optional Accessories on Page 5

ACCESSORIES

(Optional, to be ordered separately)

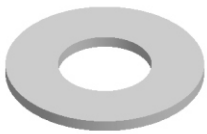


RUBBER PACKING (CC)

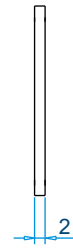
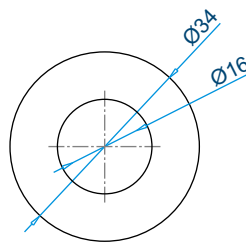


Ord Nr. M10268

Usable in : CC



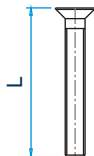
RUBBER PACKING (RCC)



Ord Nr. M10294

Usable in : RCC

SPARE PARTS



CSK SS
ALLEN SCREW

S.No.	Glass Thick (mm)	Screw (L)	Ord Nr.
1	8 to 10 mm	15	M10110
2	12 mm	20	M10111